

**CENTRAL AVENUE
IMPROVEMENTS FROM
135TH ST. W. TO 119TH ST. W.**

**135TH STREET
APPROACH
SOUTH SLAB
DETAILS**
SHEET TITLE
472-84017
PROJECT NUMBER

DESIGN BY: JRA
DRAWN BY: WANJ
CHECKED BY: JRA

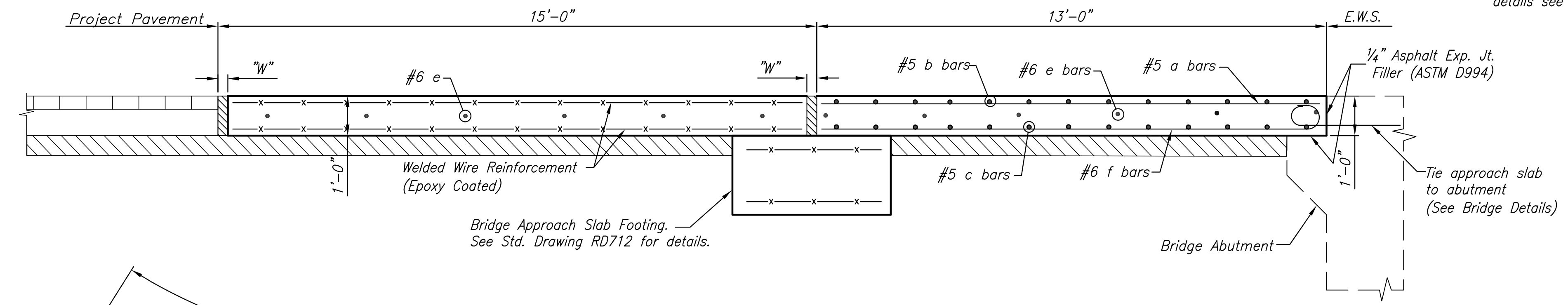
ISSUED: November 9, 2012
REVISED:

SHEET NO.
45 of 220

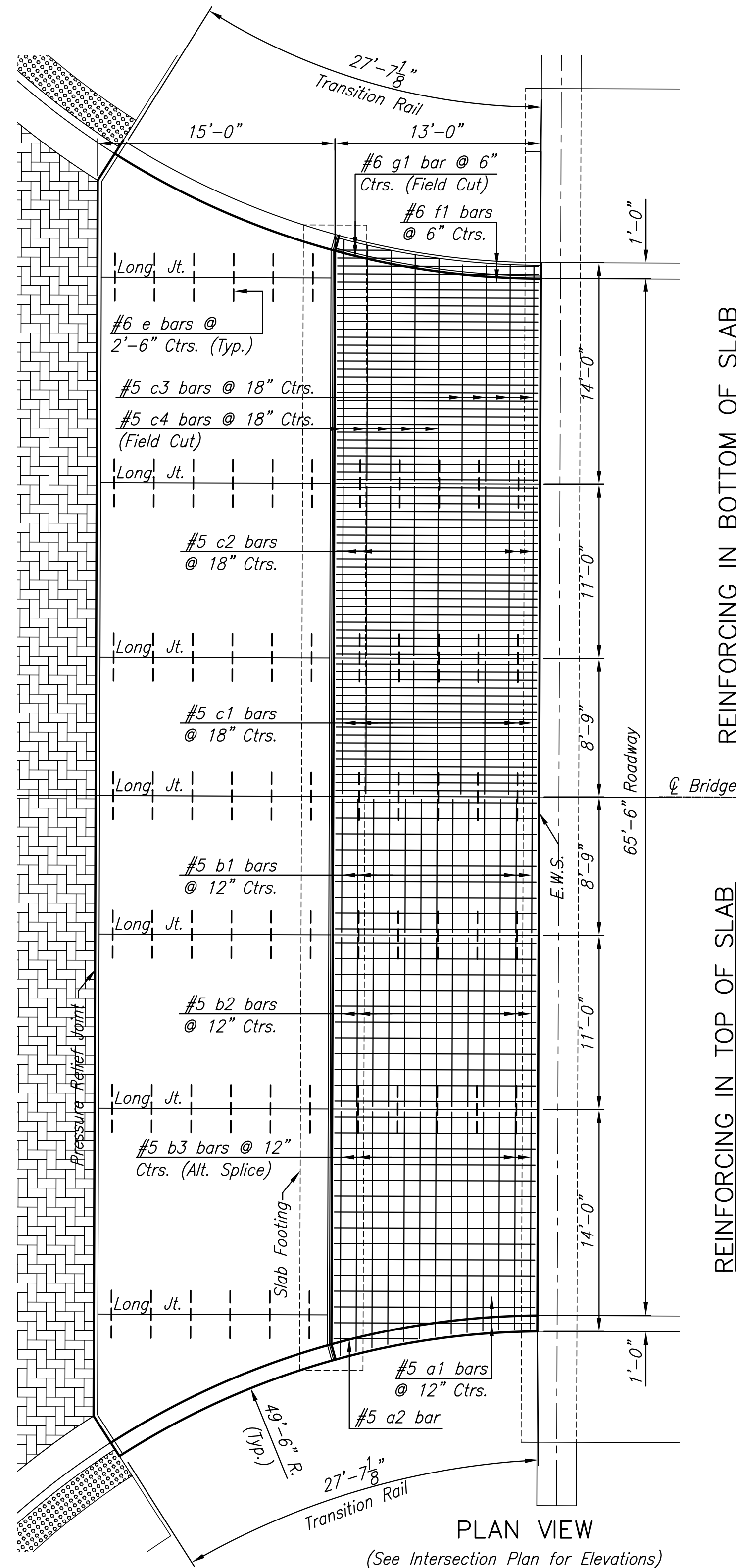
W = For Expansion/Pressure Relief Joint width and details see Sheet No. 48

GENERAL NOTES

1. Special Concrete Bridge Approach shall be paid for as sq. yds of "Concrete Pavement 12" (Reinforced)" and includes all work and materials required to construct the approach slab as shown on this sheet.
2. Transition Approach Rail shall be paid for as lineal feet of "Concrete Safety Barrier".
3. Formed joints shall be edged with 1/4" radius tool for length of joint.
4. Clearance from the face of concrete for all reinforcing steel, unless noted, shall be 2".
5. All casting to existing concrete, if cast previously, shall be brush blasted and power washed prior to casting concrete.
6. All existing concrete shall be water soaked for 2 hours prior to casting concrete.
7. All reinforcing steel shall be epoxy coated.
8. Standard reinforcing bar hooks in accordance with the latest ACI specifications shall be used throughout.
9. The pressure relief joint shall be omitted when the concrete bridge approach pavement abuts asphalt pavement.
10. All work and materials required for installation of expansion joints and pressure relief joints shall be subsidiary to this bid item.
11. At the Contractor's option #4x3'-0" tie bars @ 15" centers may be substituted for the #6 e-bars at 2'-6" centers.



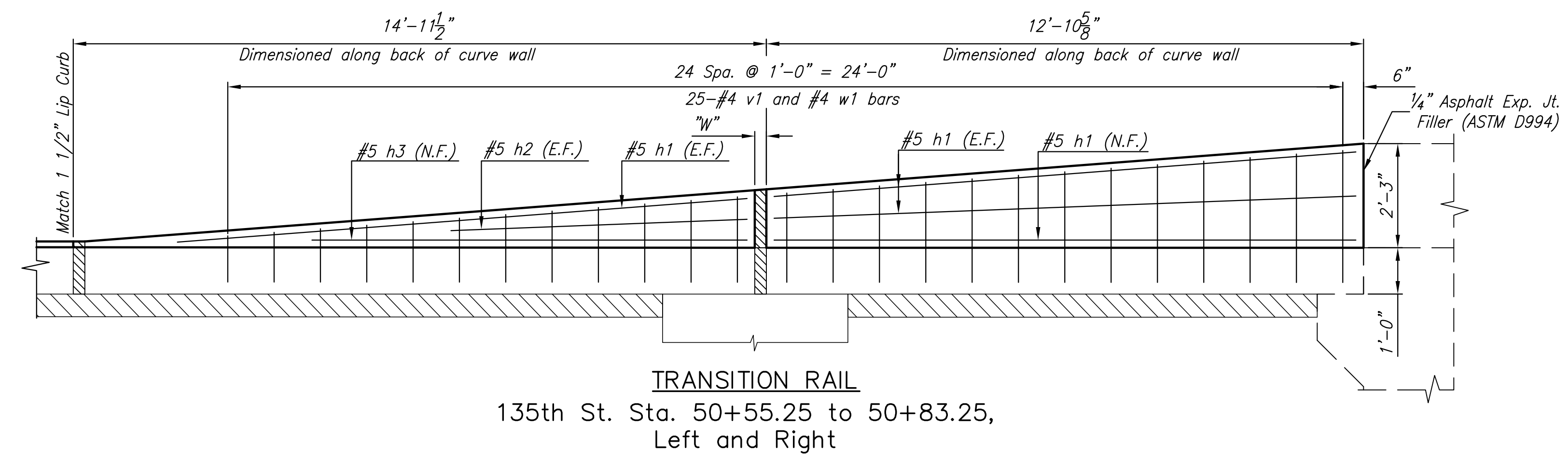
LONGITUDINAL SECTION



PLAN VIEW
(See Intersection Plan for Elevations)

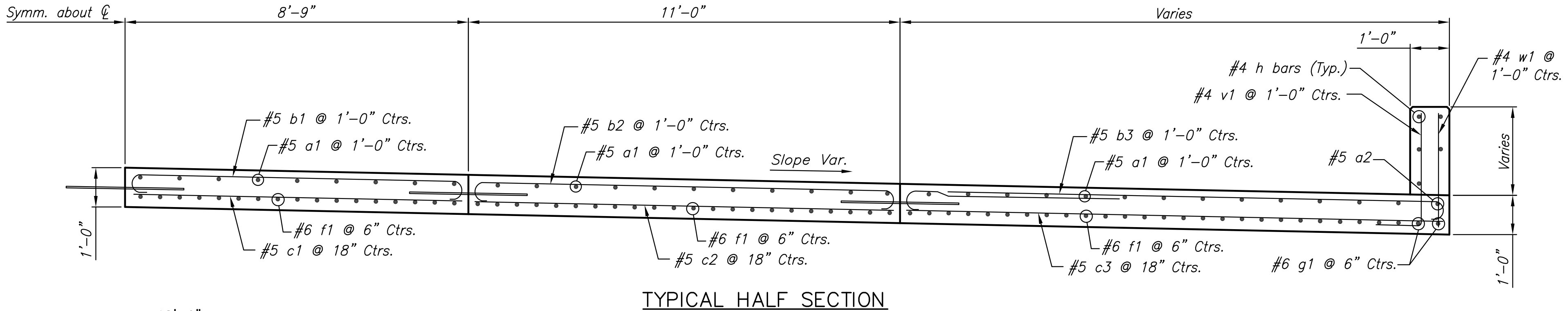
REINFORCING IN BOTTOM OF SLAB

REINFORCING IN TOP OF SLAB

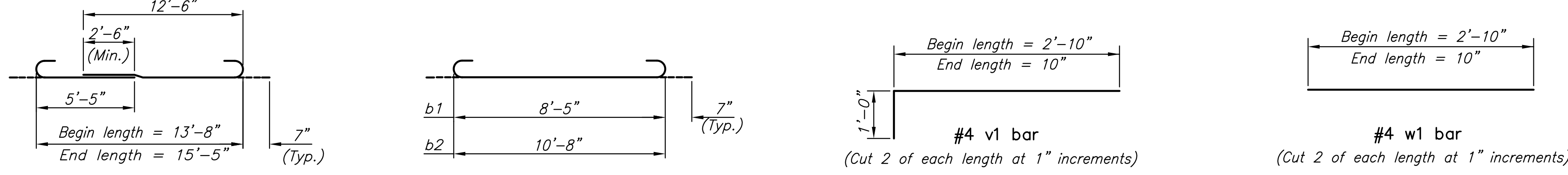


TRANSITION RAIL

135th St. Sta. 50+55.25 to 50+83.25, Left and Right



TYPICAL HALF SECTION



BENDING DIAGRAM

All dimensions are out to out unless otherwise noted.

BILL OF MATERIALS (ONE APPROACH ONLY)

Bar Schedule		△ See Bending Diagram																
Bar No.	Size	a1	a2	b1	b2	b3	c1	c2	c3	c4	e	f1	g1	h1	h2	h3	v1	w1
68	#5	2	26	26	26	26	18	18	8	10	67	134	2	14	4	2	50	50
69	#5	#5	#5	#6	#6	#6	#5	#5	#5	#5	#6	#6	#6	#5	#5	#5	#4	#4
Length		12'-8"	5'-3"	9'-7"	11'-10"	△	8'-5"	10'-8"	13'-8"	15'-3"	3'-0"	13'-4"	10'-0"	12'-7"	6'-4"	9'-4"	△	△