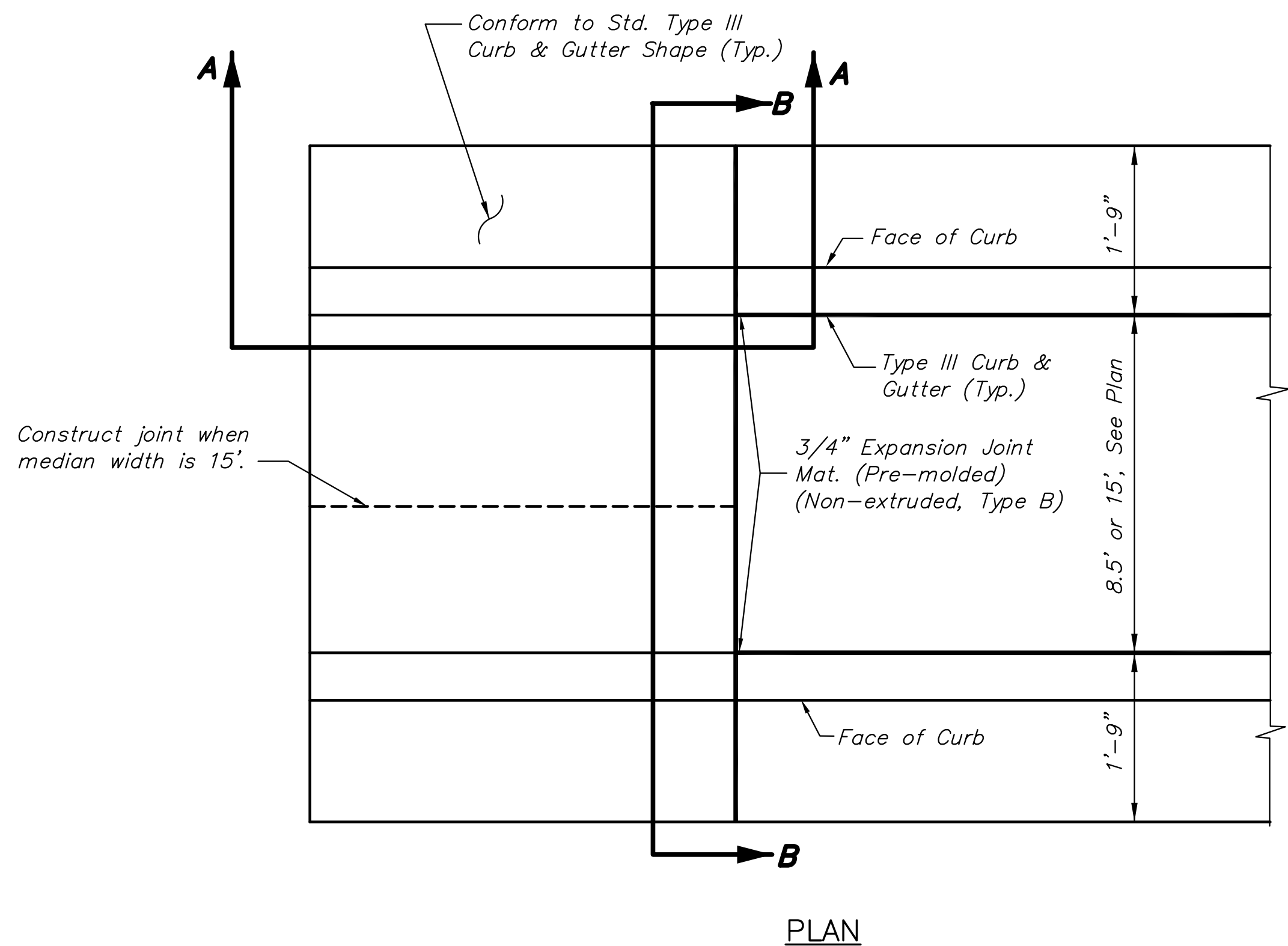
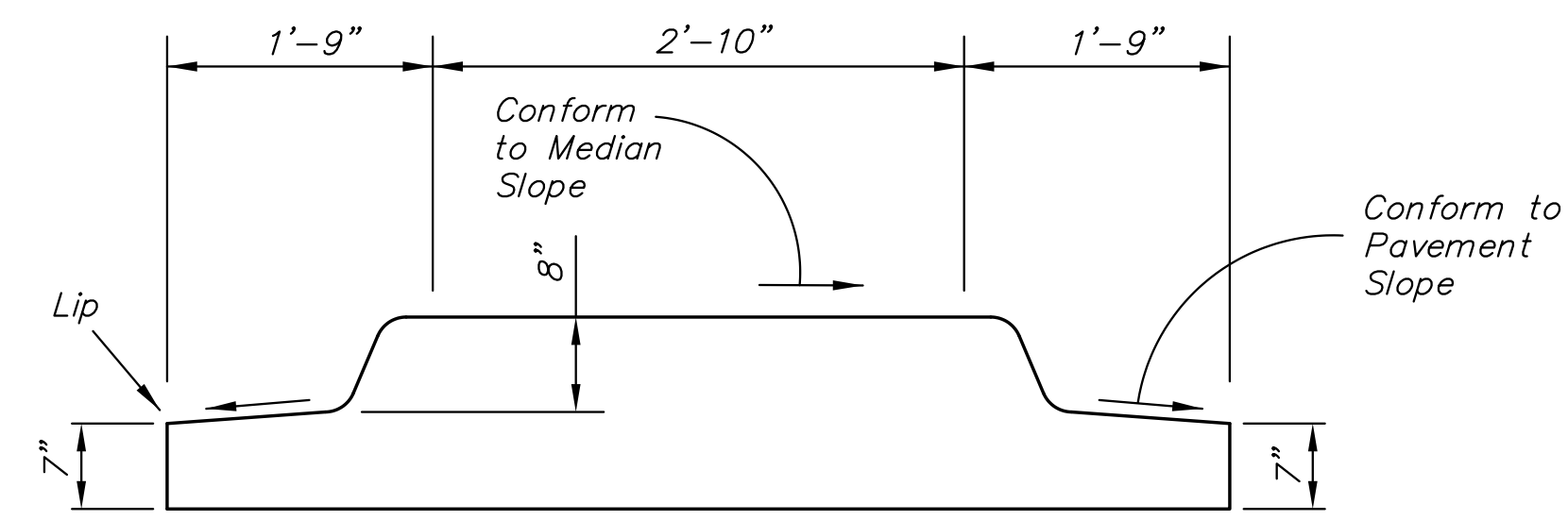


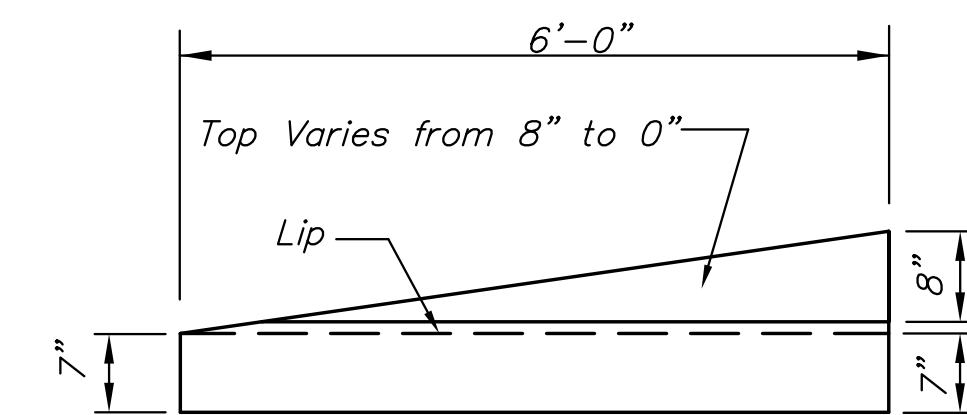
**CENTRAL AVENUE
IMPROVEMENTS FROM
135TH ST. W. TO 119TH ST. W.**



PLAN

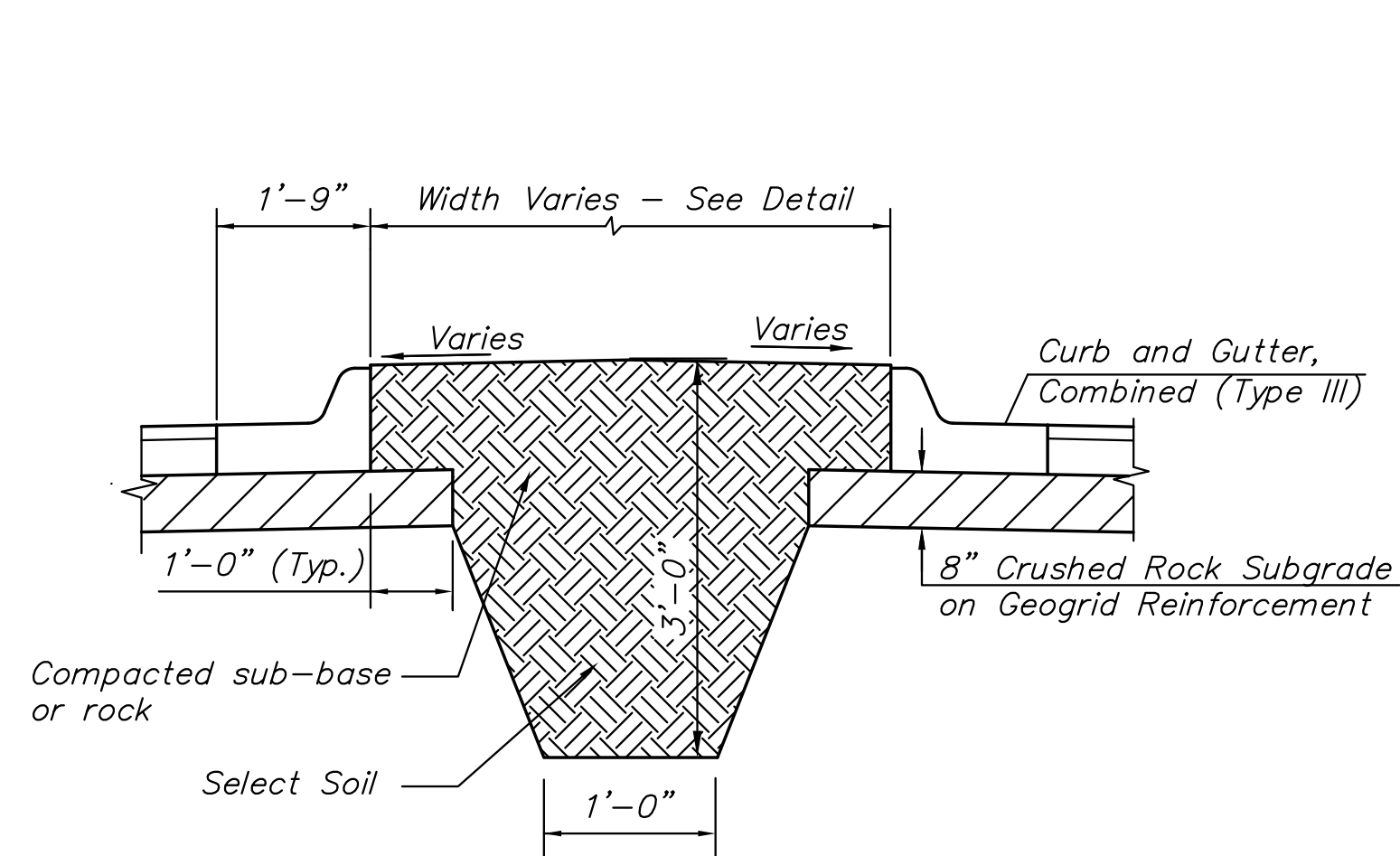


SECTION B-B

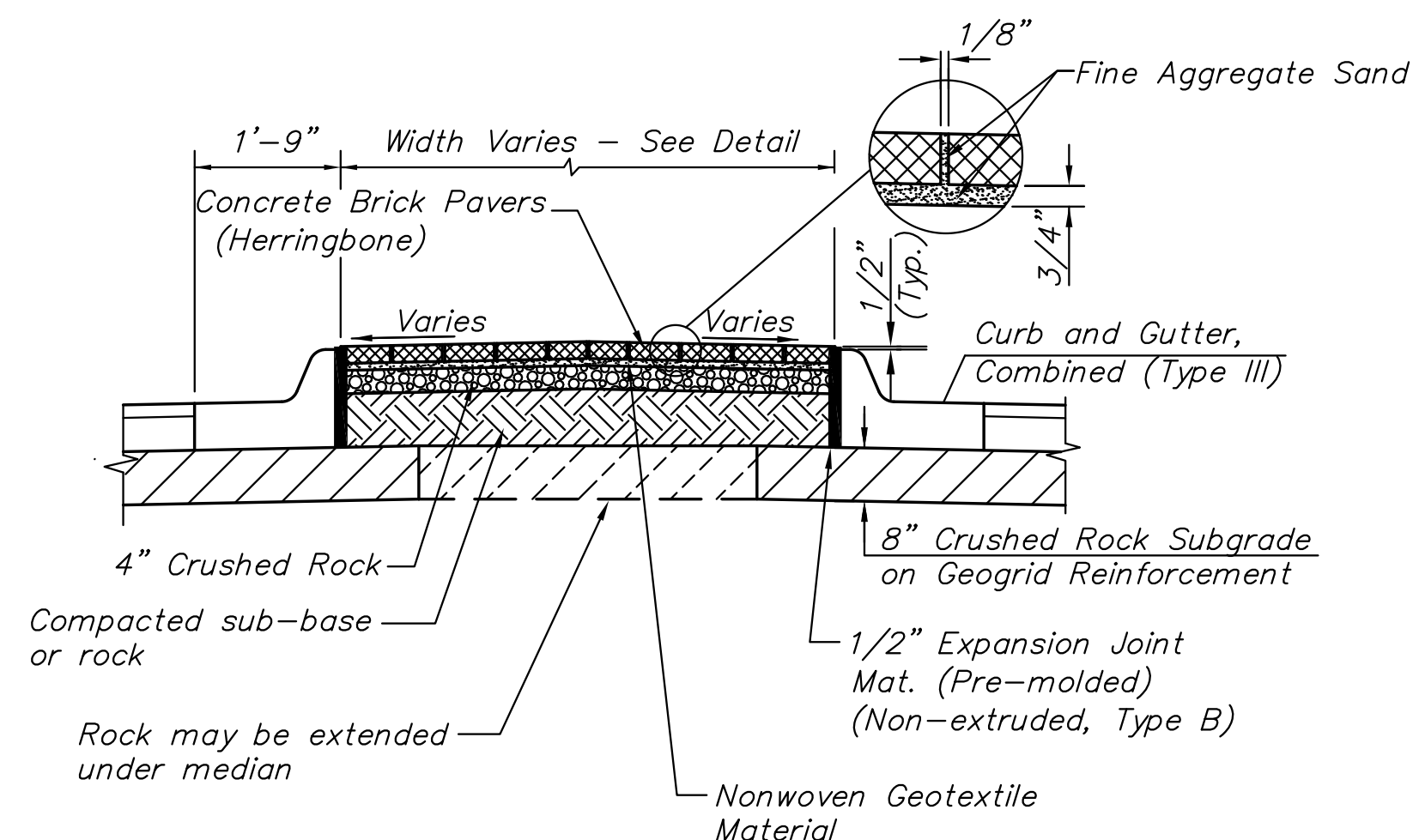


SECTION A-A

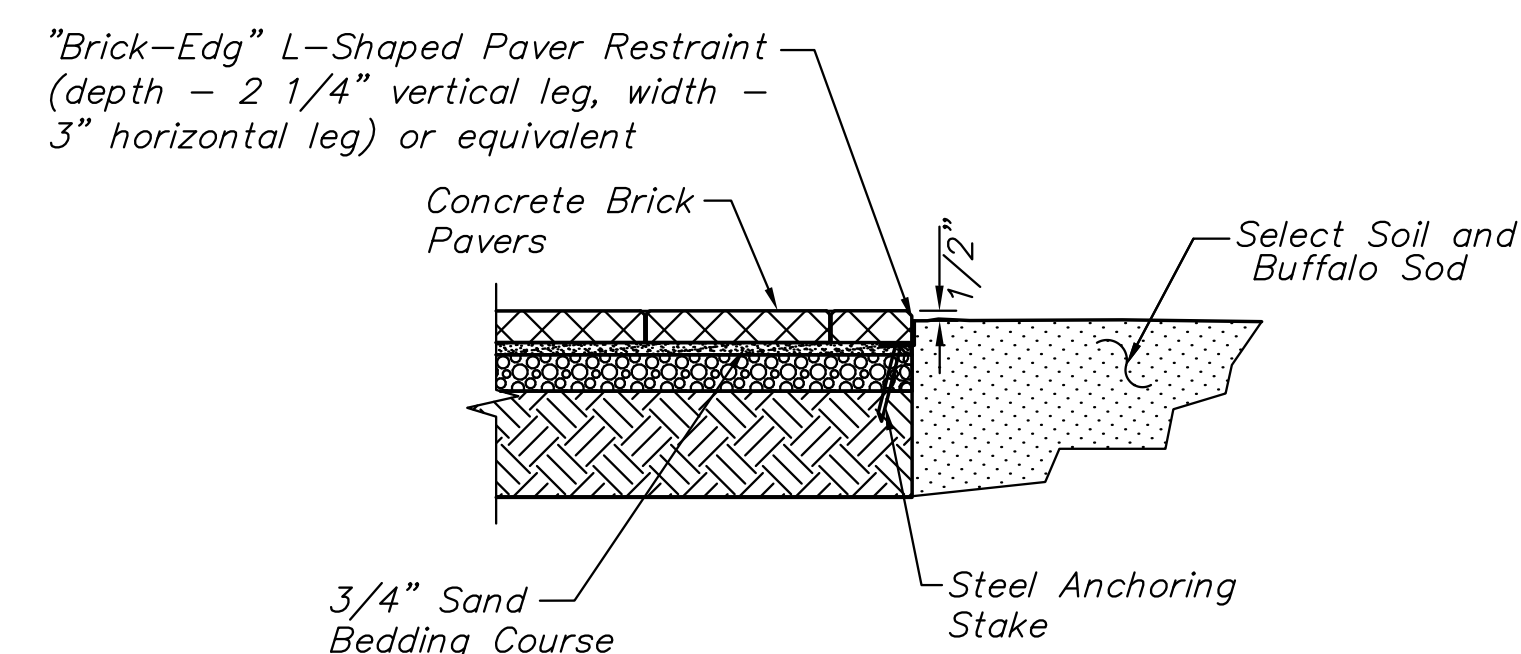
CONCRETE MEDIAN NOSE



SELECT SOIL MEDIAN DETAIL



PAVING BRICK MEDIAN DETAIL



PAVER ABUTTING SOD DETAIL

**MEDIAN
DETAILS**

SHEET TITLE
472-84017
PROJECT NUMBER

DESIGN BY: JRA
DRAWN BY: JSB
CHECKED BY: JRA

ISSUED
November 9, 2012
REVISED

SHEET NO.
58 of 220