

**CENTRAL AVENUE
IMPROVEMENTS FROM
135TH ST. W. TO 119TH ST. W.**

**REINF. CONC.
DRAINAGE
STRUCTURE DTLS.
LINE 21**

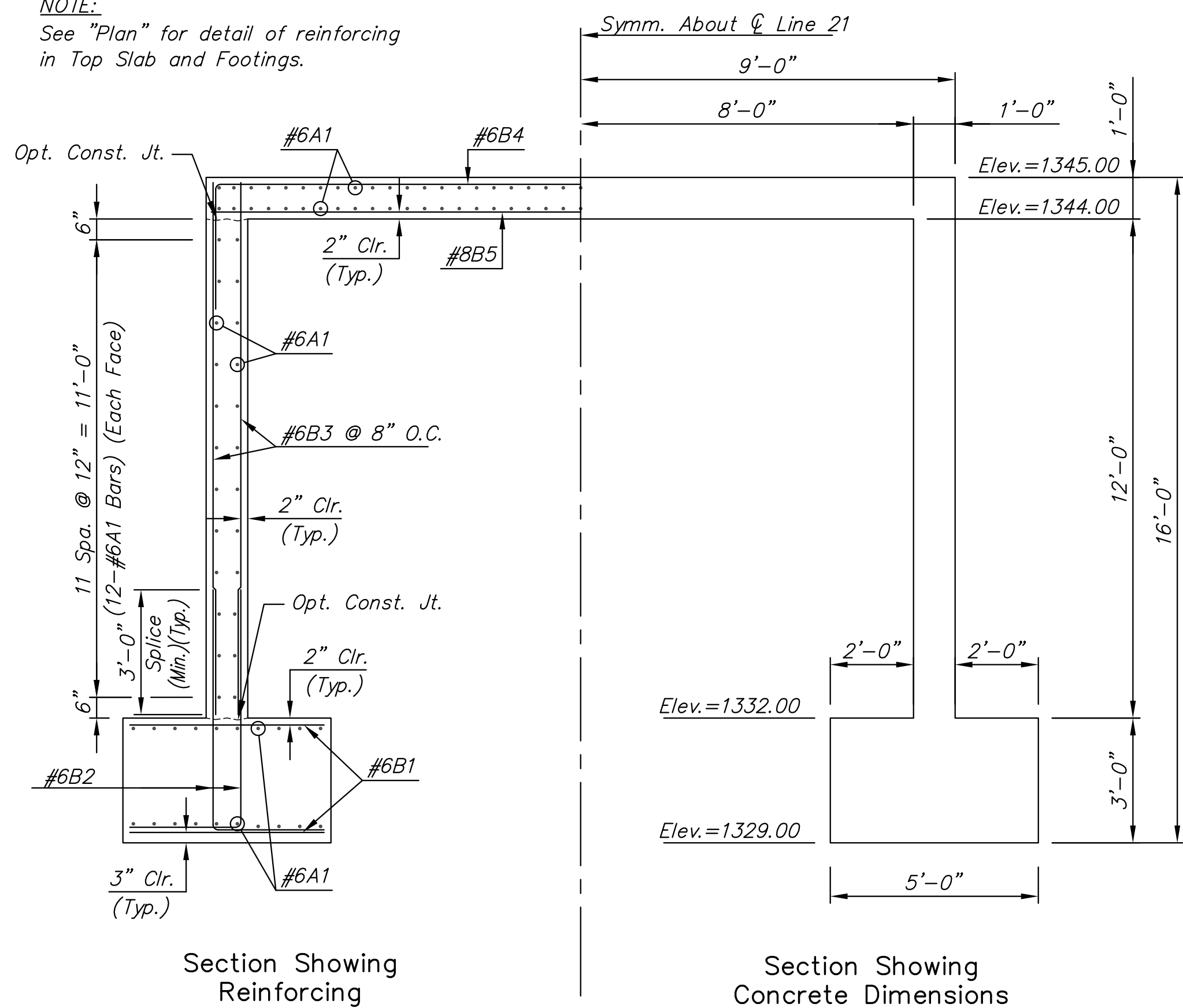
SHEET TITLE
472-84017
PROJECT NUMBER

DESIGN BY: KJS
DRAWN BY: DMU
CHECKED BY: JRA

ISSUED
November 9, 2012
REVISED

SHEET NO.
73 of 220

NOTE:
See "Plan" for detail of reinforcing in Top Slab and Footings.



SECTION
Perpendicular to Line 21 (Typ.)
Scale: 3/8" = 1'-0"

GENERAL NOTES

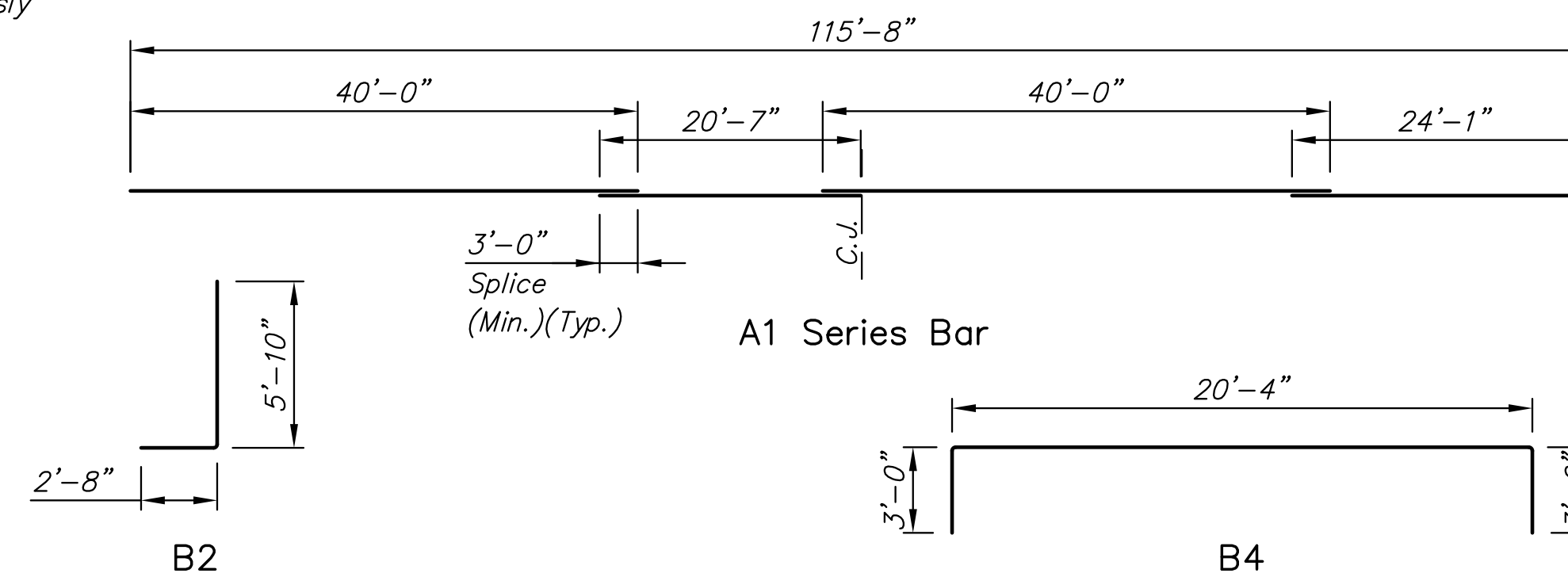
- All reinforcing steel dimensions are to the centerline of bars unless otherwise noted. all reinforcing steel shall conform to the requirements of ASTM A615, Grade 60.
- Concrete shall be Grade 4.0 (AE) in compliance with section 401 of KDOT Standard Specifications for State Road and Bridge Design. Bevel all exposed edges of concrete with a 3/4" triangular molding. Construction joints are optional with the contractor, but if used, place only at the locations shown, or at locations approved by the Engineer.
- Brush blast, power wash, and water soak all previously cast construction joint surfaces immediately prior to casting new concrete.

BILL OF REINFORCING STEEL

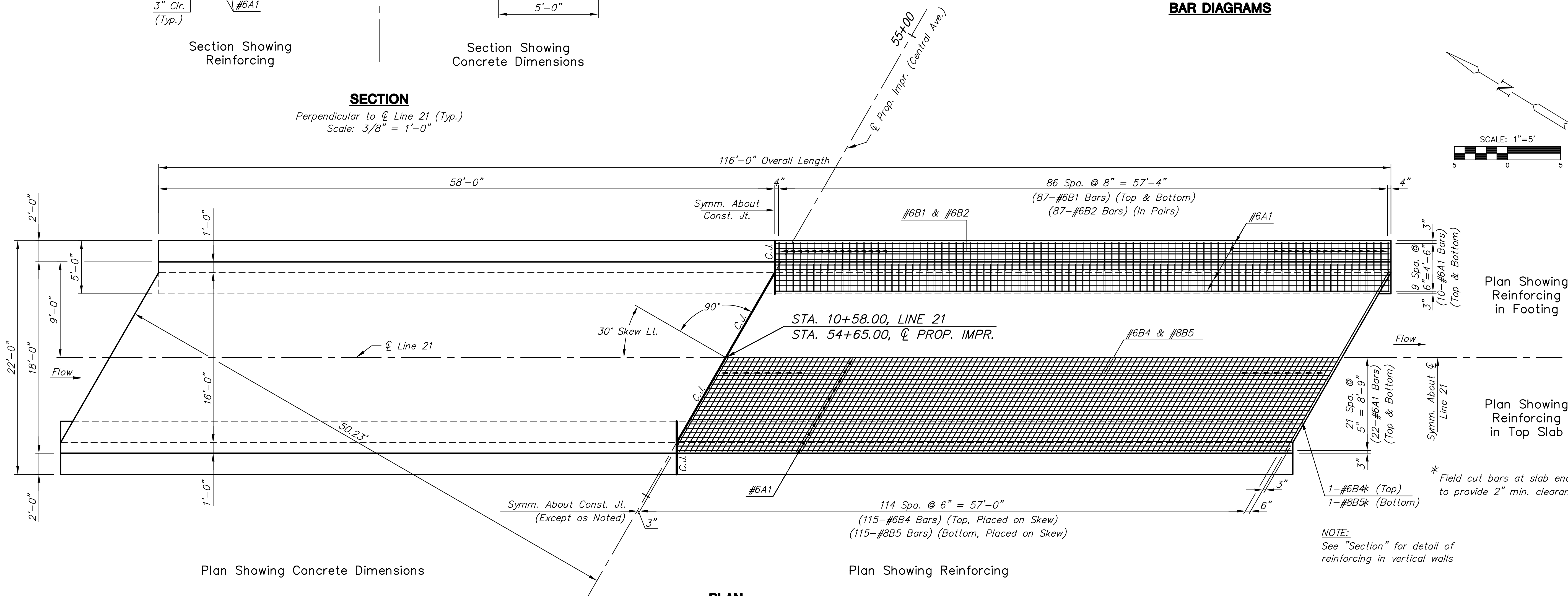
Epoxy Coated - Grade 60

Straight Bars				Bent Bars			
Mark	Size	Number	Length	Mark	Size	Number	Length
A1	#6	174	115'-8" F	B2	#6	696	8'-6"
B1	#6	696	4'-8"	B4	#6	232	26'-4"
B3	#6	696	12'-9"				
B5	#8	232	20'-4"				

See "Bar Diagrams"



BAR DIAGRAMS



PLAN

