

STATE	PROJECT NO.	YEAR	SHEET NO.	SHEETS
KANSAS	87 N-0351-01	2012	91	220

MKEC
ENGINEERING
CONSULTANTS, INC.
411 N. WEBB ROAD
WICHITA, K.S. 67206
316-684-9600



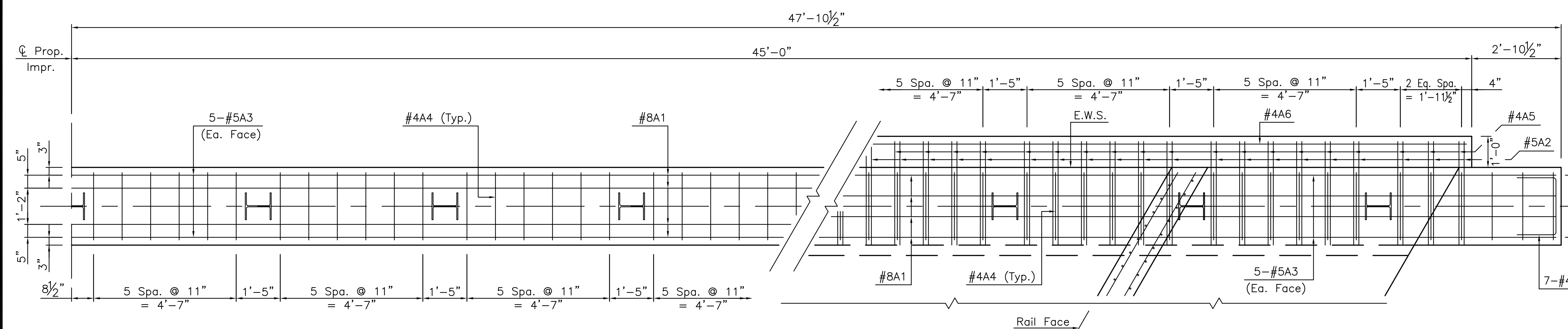
**CENTRAL AVENUE
IMPROVEMENTS FROM
135TH ST. W. TO 119TH ST. W.**

**CENTRAL AVE
BRIDGE ABUT.
DETAILS 2**
SHEET TITLE
472-84017
PROJECT NUMBER

DESIGN BY JAG
DRAWN BY DMU
CHECKED BY KJS

ISSUED
November 9, 2012
REVISED

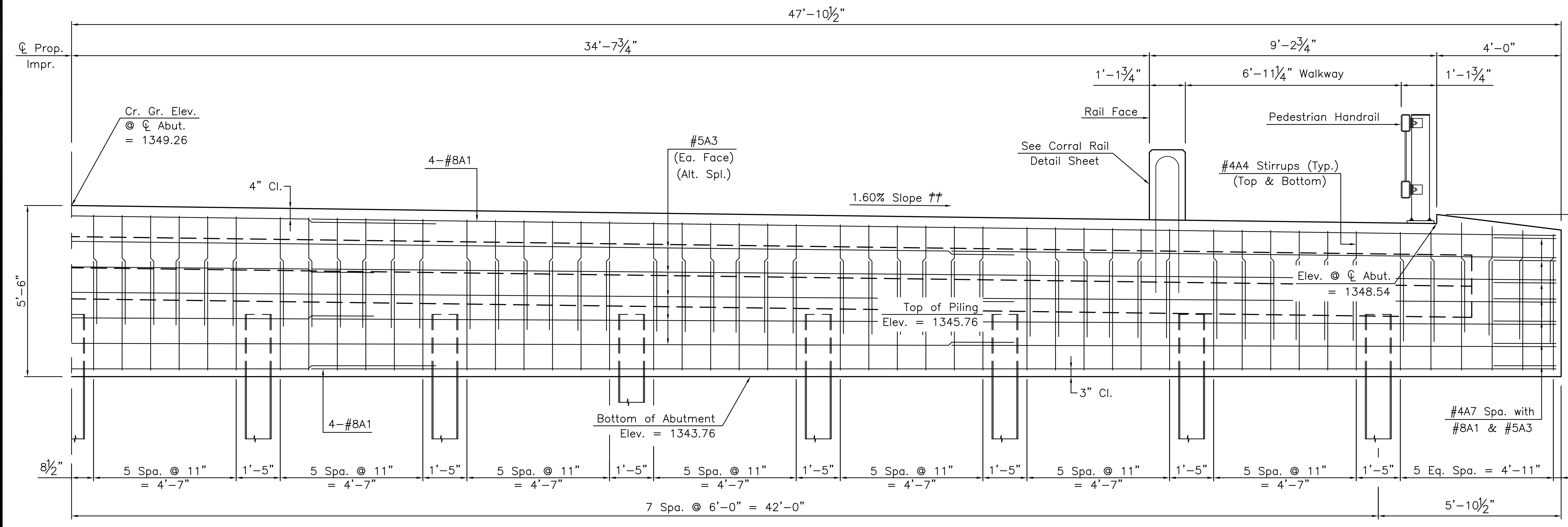
SHEET NO.
91 of 220



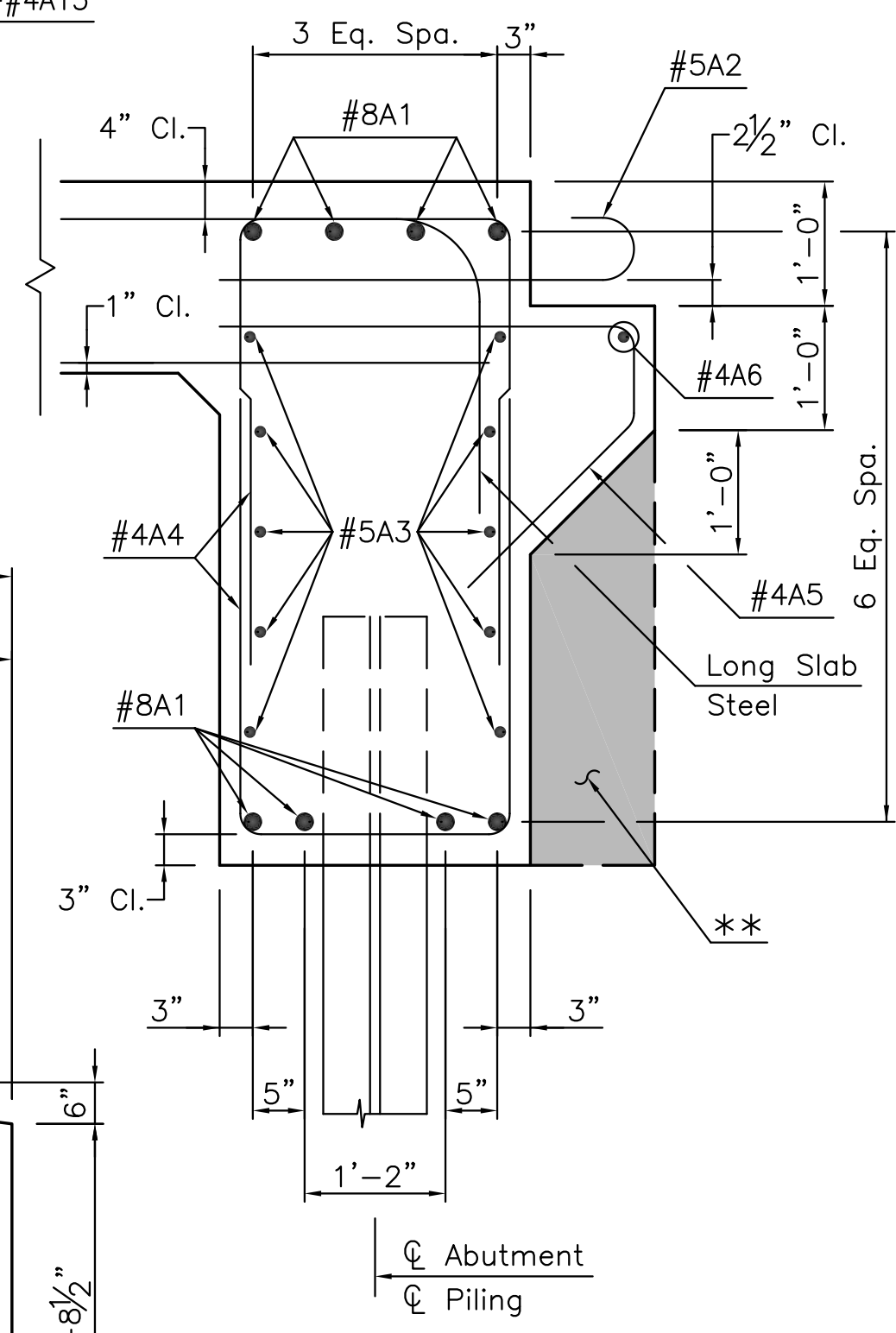
Reinforcing Steel in Bottom of Abutment

HALF PLAN
(Looking Up Station, Abut. No. 2)
(Looking Down Station, Abut. No. 1)

Reinforcing Steel in Top of Abutment



HALF ELEVATION
(Measured Along \perp Abutment)
(Looking Up Station, Abut. No. 2)
(Looking Down Station, Abut. No. 1)
** Cross slope perpendicular to \perp Prop. Impr.



TYPICAL SECTION

**At the Contractor's option and expense, the backwall may be formed vertically as shown. (9.00 Cu. Yds. concrete) Concrete volume is for information only, not to be included in quantity summary.

PLOTTED: Wednesday, November 14, 2012 @ 02:43PM

J:\Civil\04238\Draws\Bridges\04238_ABUT2_Central.dwg