

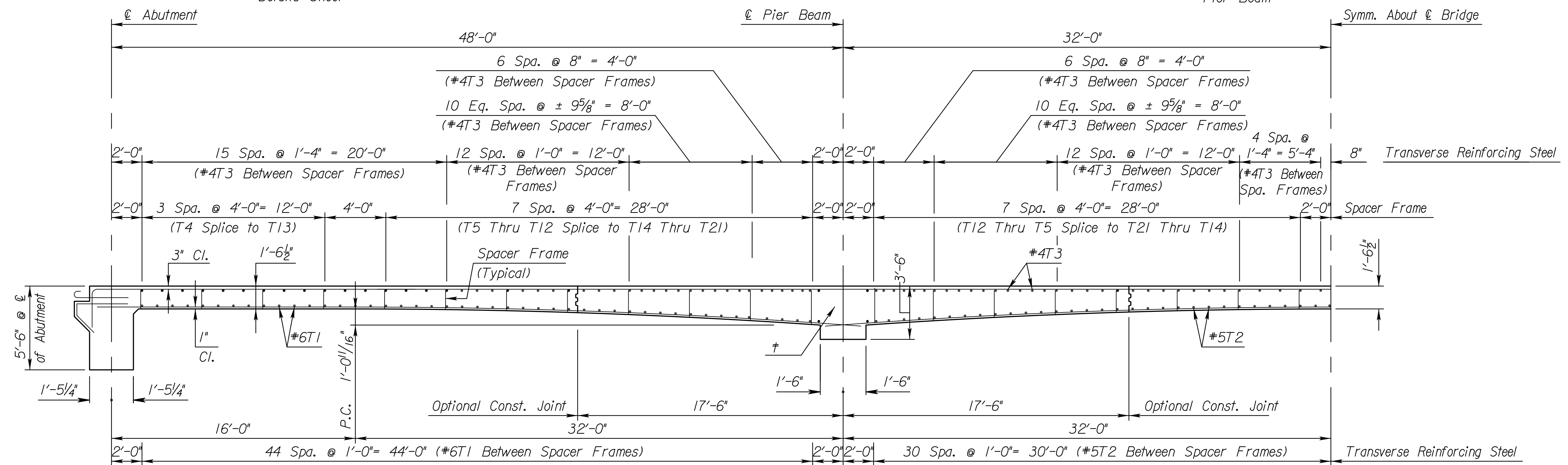
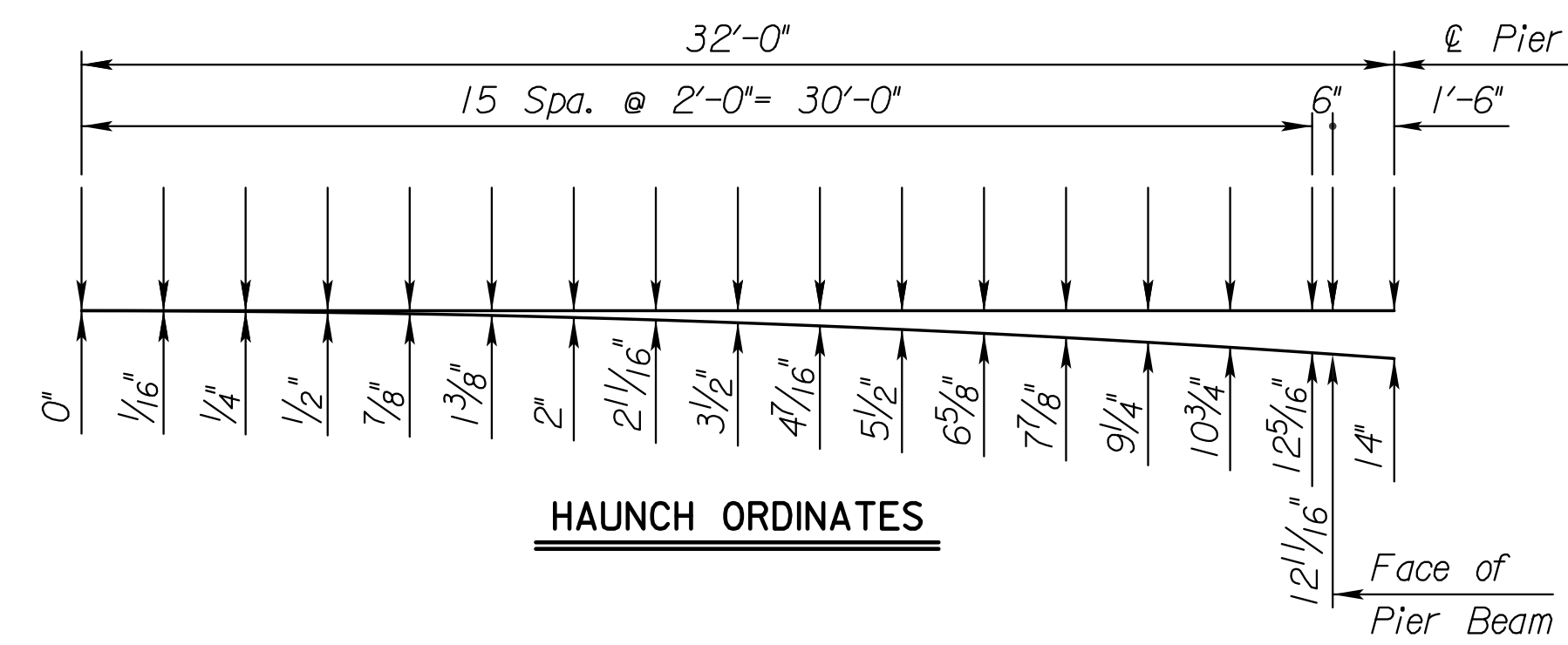
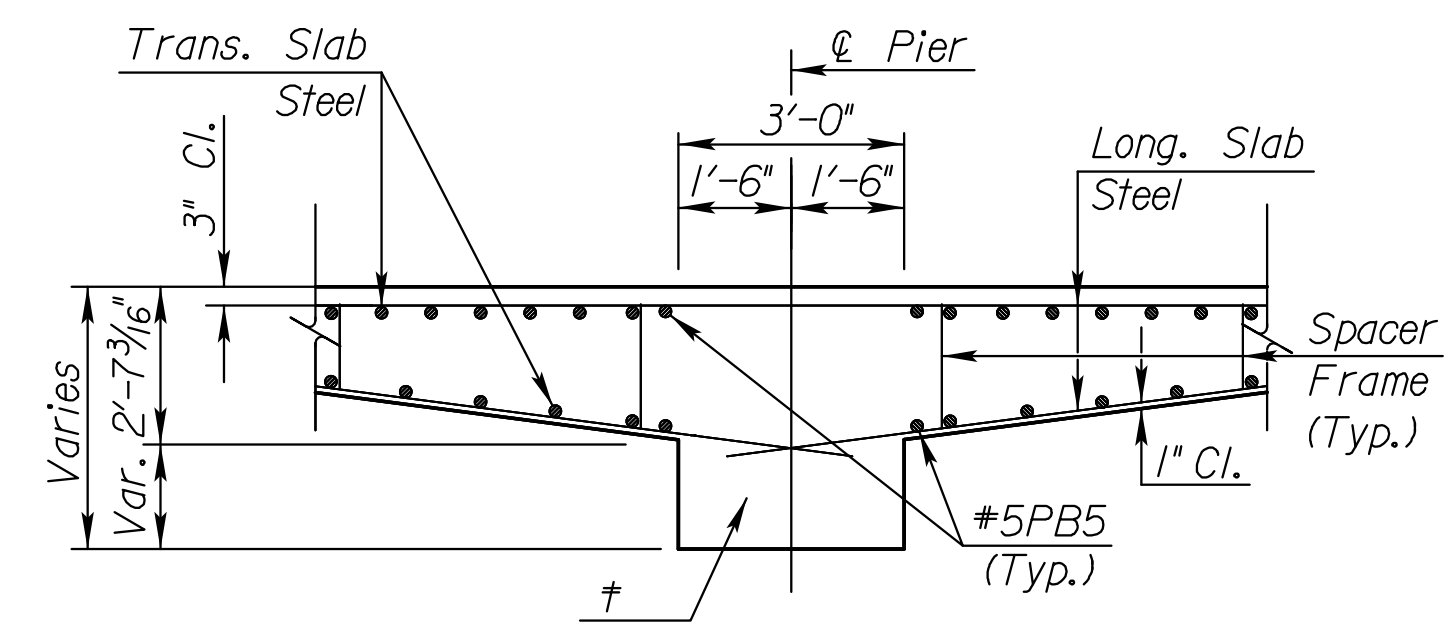
**CENTRAL AVENUE
IMPROVEMENTS FROM
135TH ST. W. TO 119TH ST. W.**

**CENTRAL AVE
BRIDGE
SUPERSTRUCTURE
DETAILS - SECTION**
SHEET TITLE
472-84017
PROJECT NUMBER

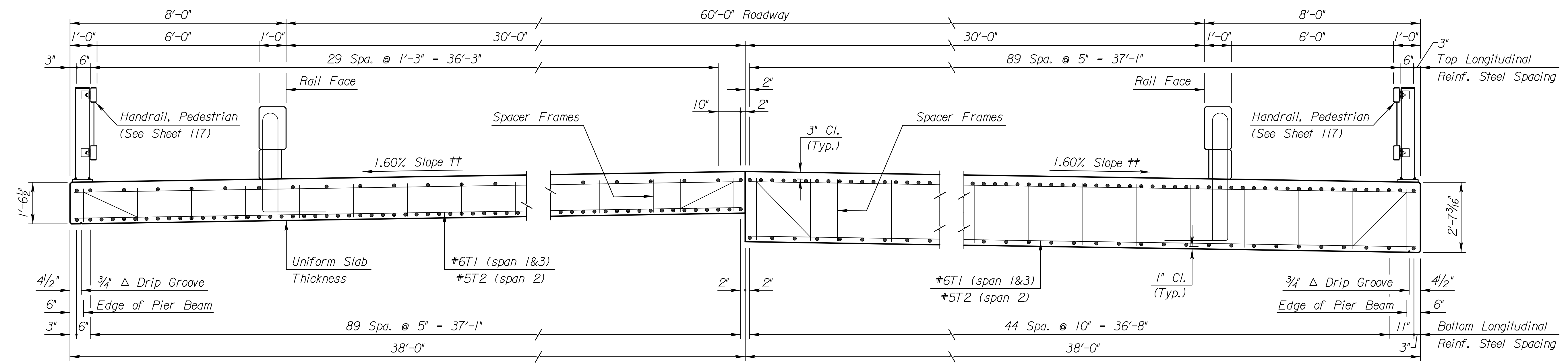
DESIGN BY: JAG
DRAWN BY: DMU
CHECKED BY: KJS

ISSUED: November 9, 2012
REVISED:

SHEET NO.
98 of 220



HALF LONGITUDINAL SECTION ALONG CL BRIDGE



Half Section Near Mid-Span

**TYPICAL SECTION OF SLAB
(End Span Shown)**

Half Section at Face of Pier Beam

PLOTED: Wednesday, November 14, 2012 @ 02:44PM

J:\Civl\04238\Draws\Bridges\04238_SUPER2_Central.dwg