

**CENTRAL AVENUE
IMPROVEMENTS FROM
135TH ST. W. TO 119TH ST. W.**

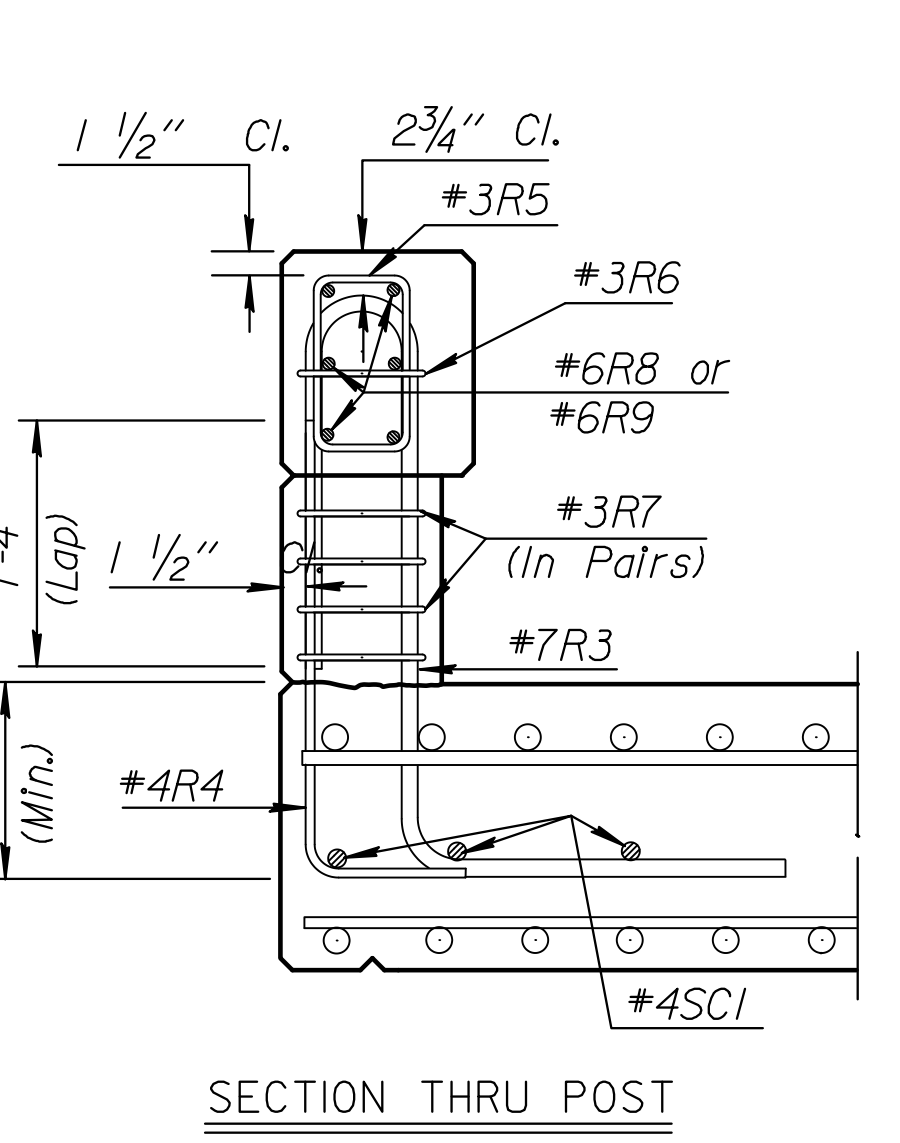
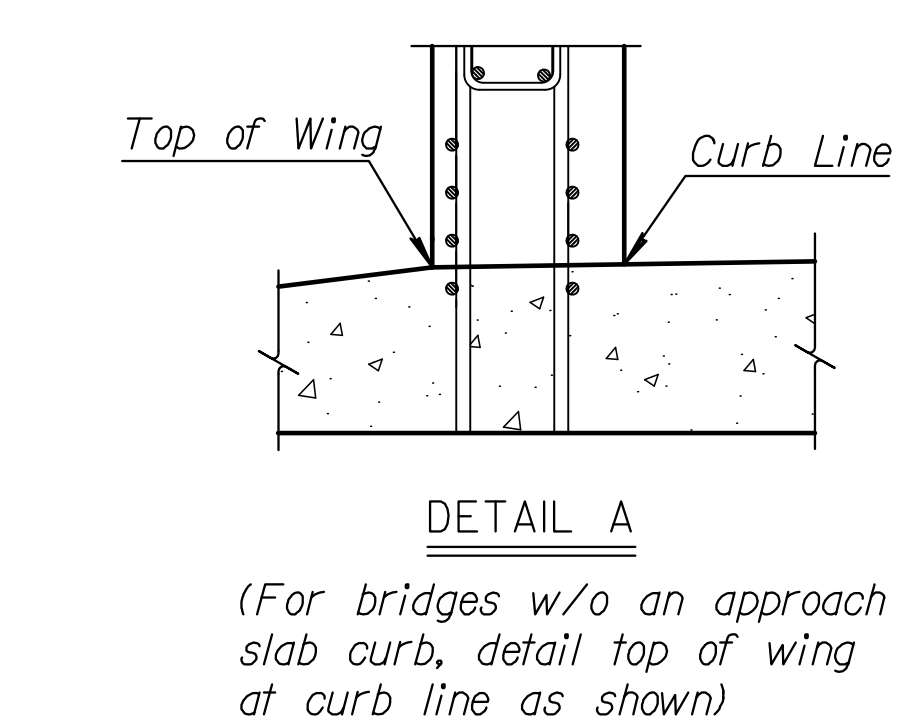
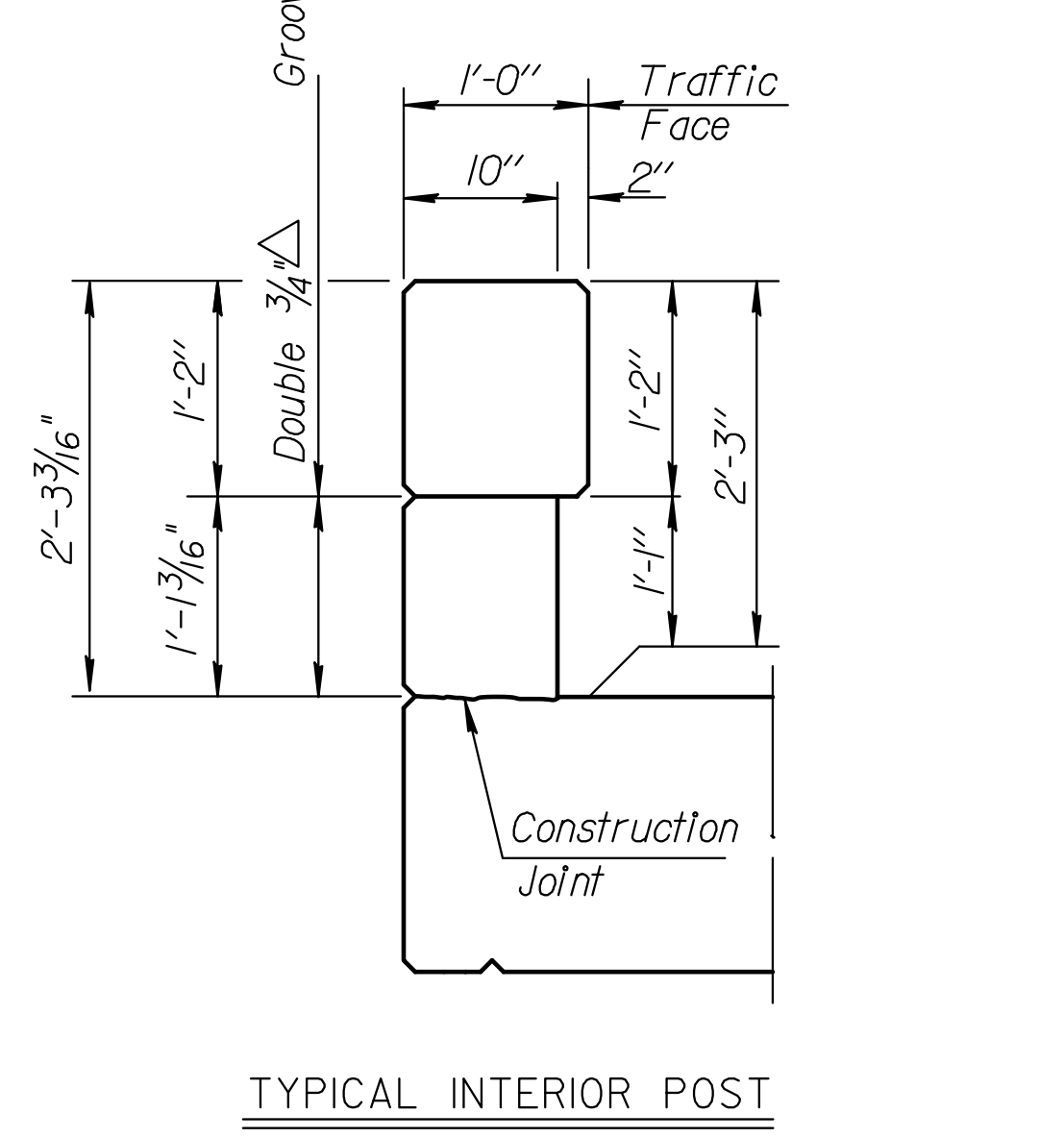
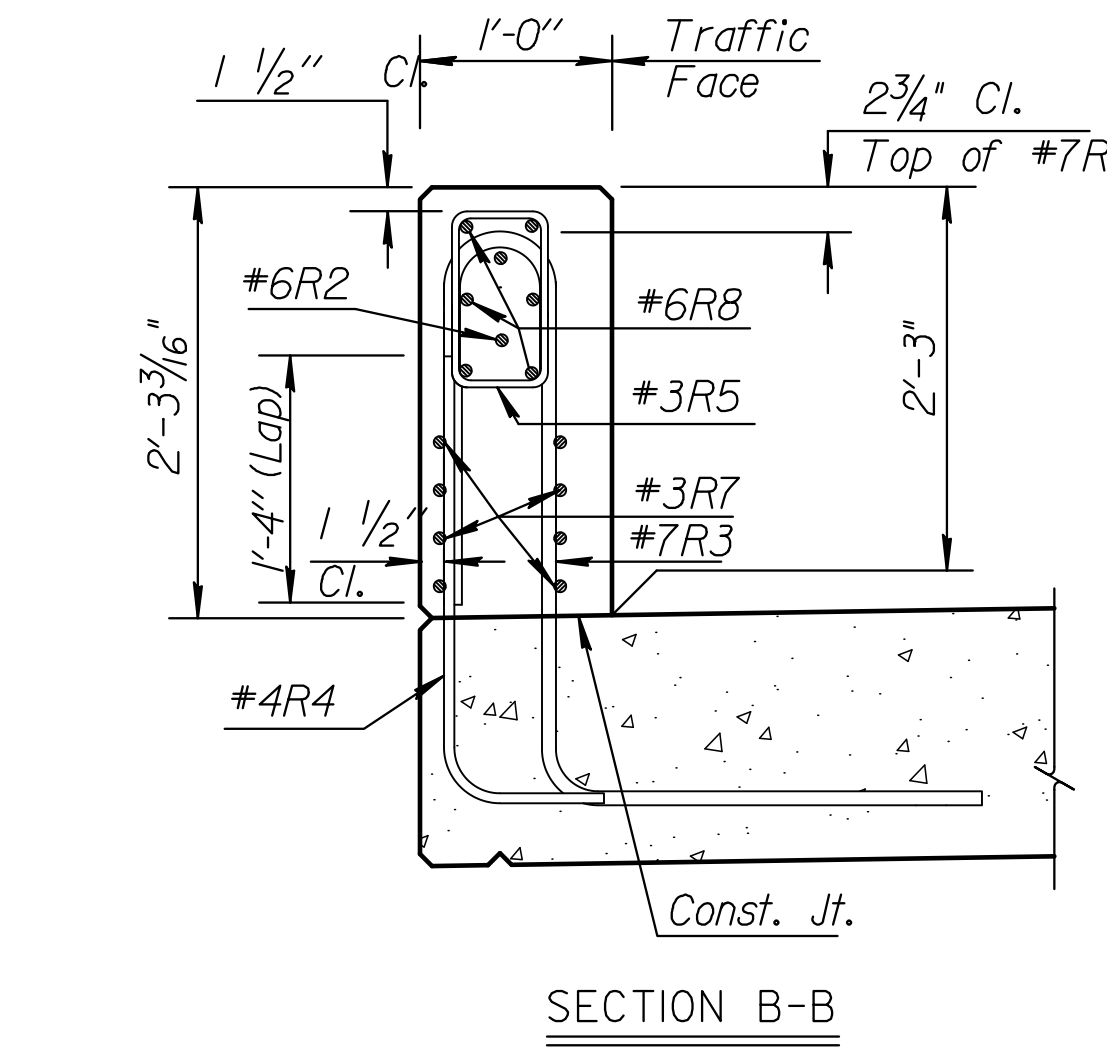
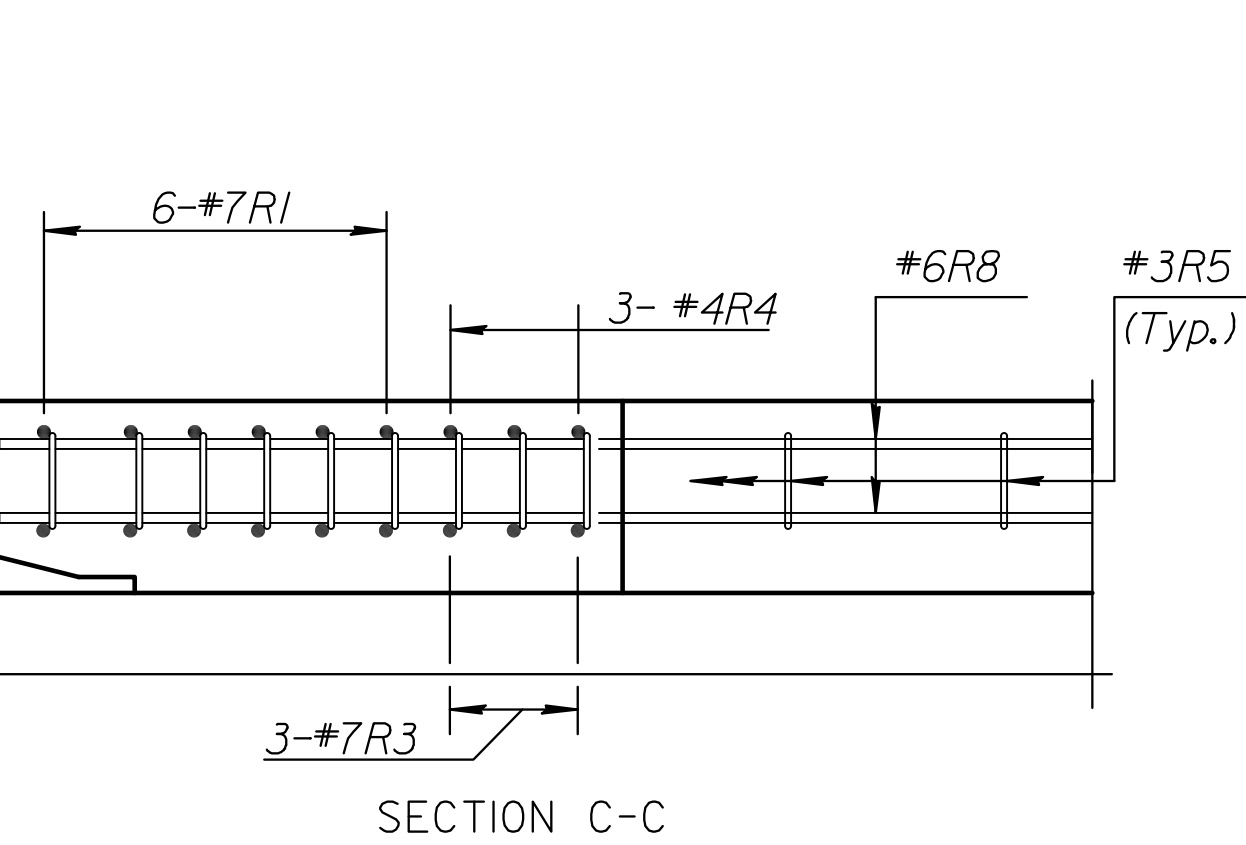
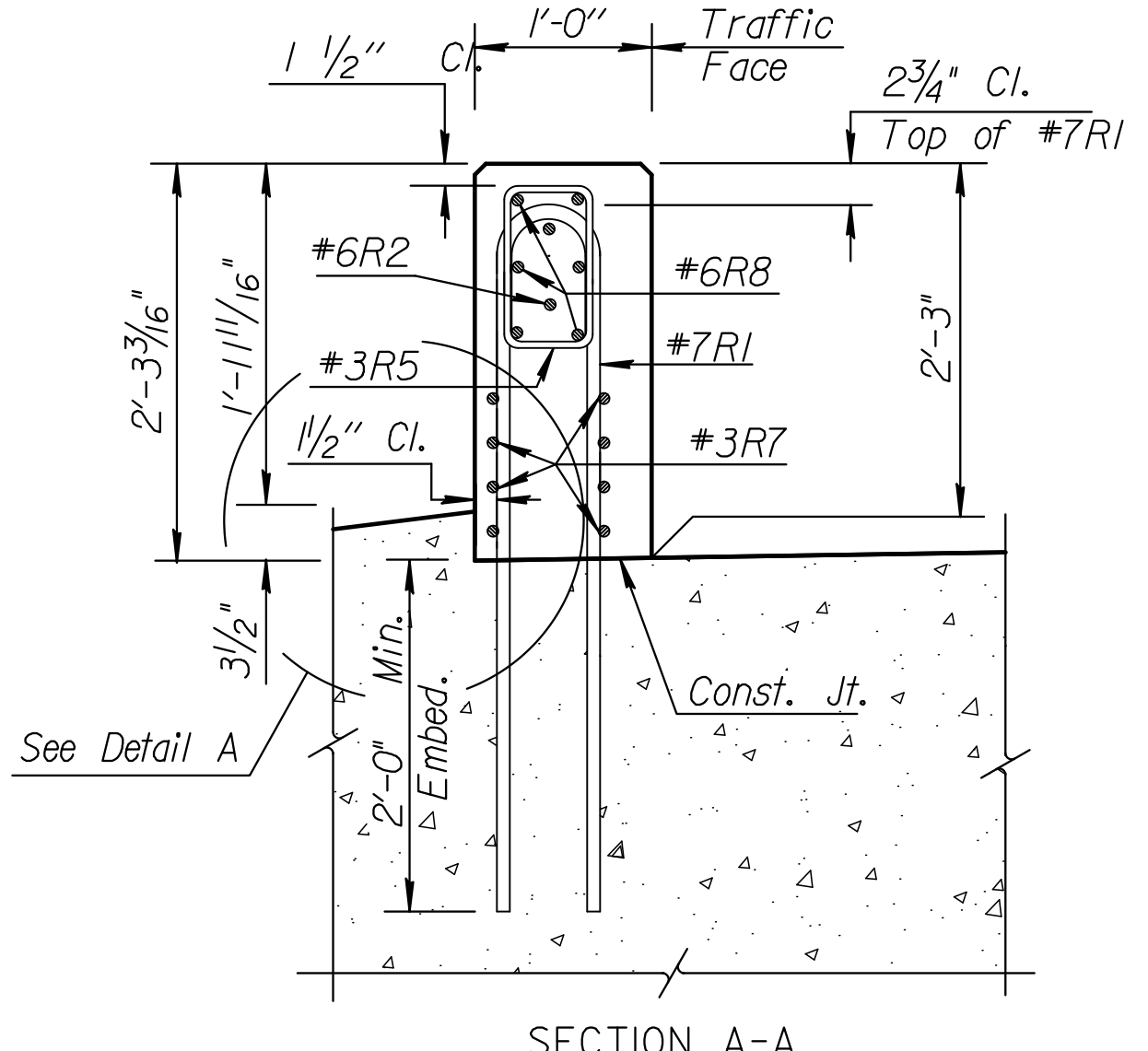
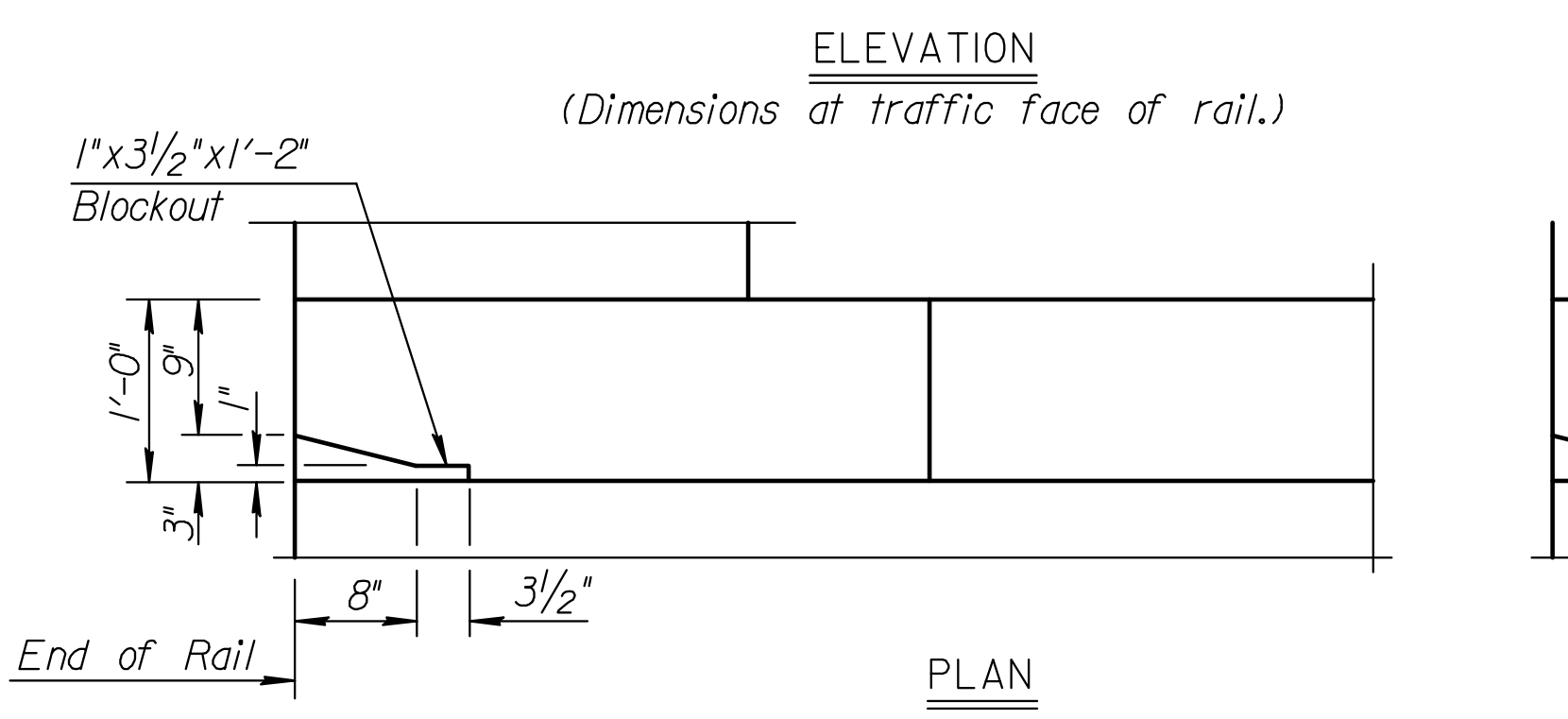
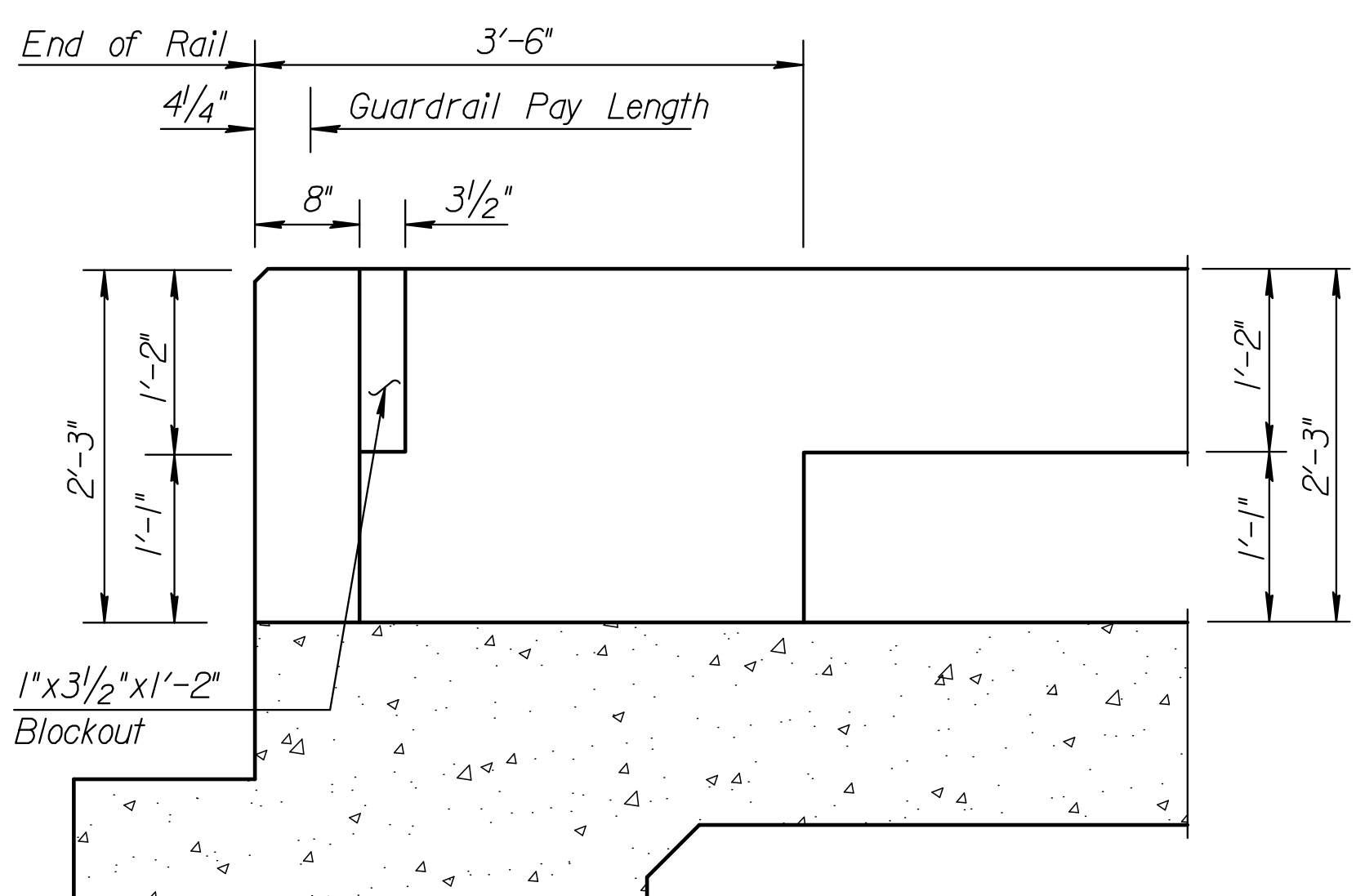
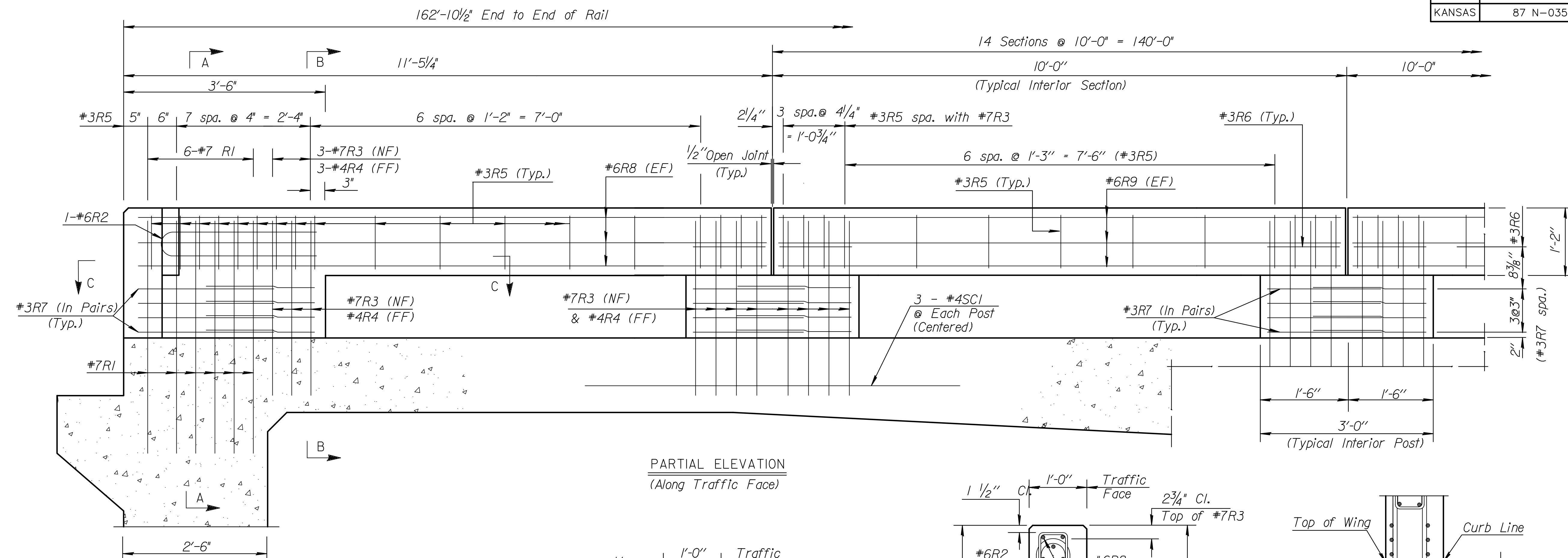
**CENTRAL AVE
BRIDGE
CORRAL RAIL
DETAILS**

SHEET TITLE
472-84017
PROJECT NUMBER

DESIGN BY: JAG
DRAWN BY: DMU
CHECKED BY: KJS

ISSUED
November 9, 2012
REVISED

SHEET NO.
99 of 220



LEGEND
NF = Near Face
FF = Far Face
EF = Each Face

PLOTTED: Wednesday, November 14, 2012 @ 02:44PM

J:\Civil\04238.dwg Bridge_04238_RAIL_Central.dwg