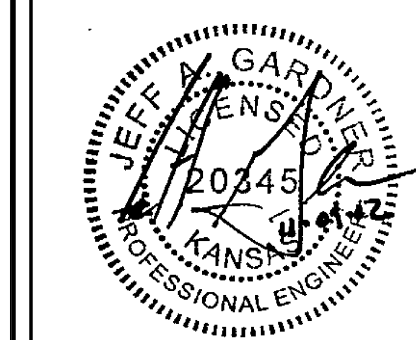


STATE	PROJECT NO.	YEAR	SHEET NO.	SHEETS
KANSAS	87 N-0351-01	2012	105	220

MKEC
ENGINEERING
CONSULTANTS, INC.

411 N. WEBB ROAD
WICHITA, K.S. 67206
316-684-9600



**CENTRAL AVENUE
IMPROVEMENTS FROM
135TH ST. W. TO 119TH ST. W.**

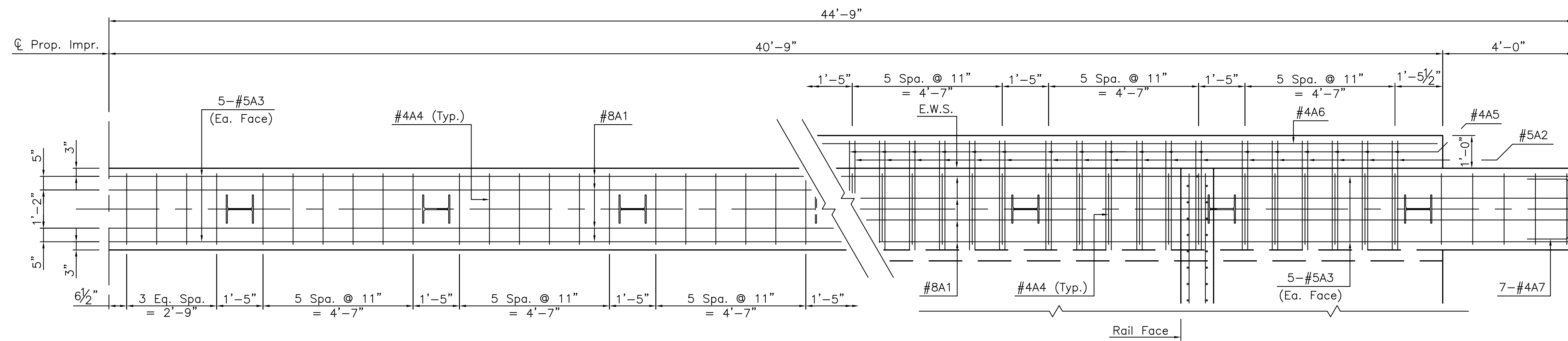
**135TH ST. WEST
BRIDGE ABUT.
DETAILS 2**

SHEET TITLE
472-84017
PROJECT NUMBER

DESIGN BY: JAG
DRAWN BY: DMU
CHECKED BY: KJS

ISSUED
November 9, 2012
REVISED

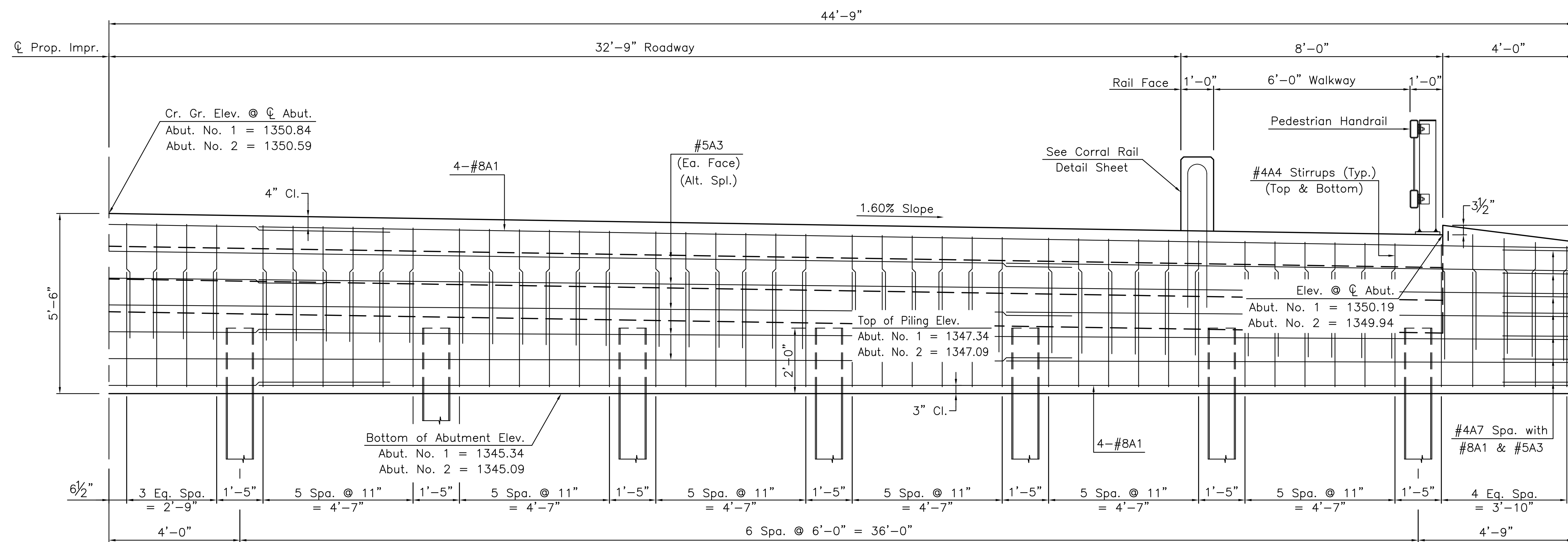
SHEET NO.
105 of 220



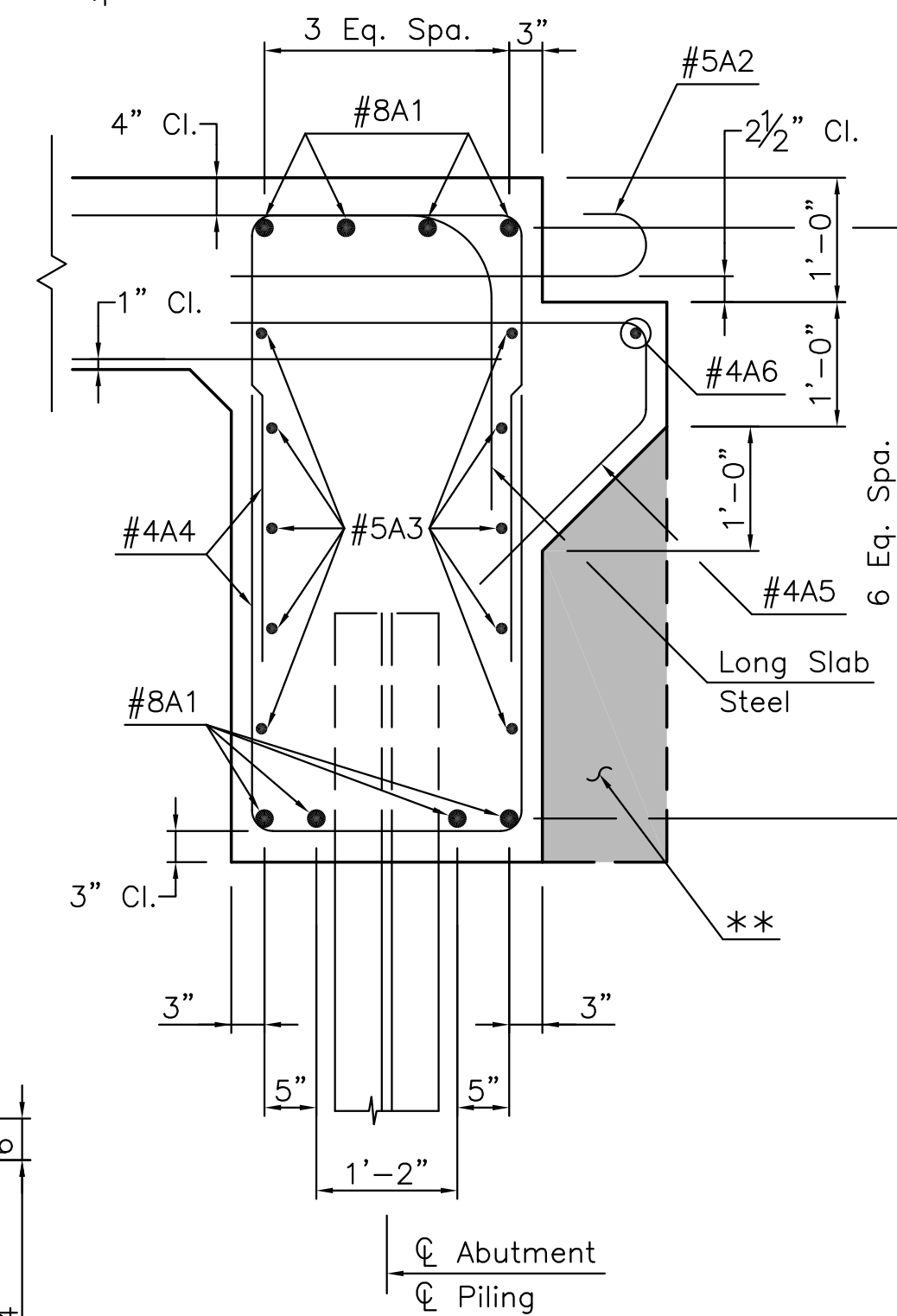
Reinforcing Steel in Bottom of Abutment

HALF PLAN
(Looking Up Station)
(Abut. No. 2 Shown)

Reinforcing Steel in Top of Abutment



HALF ELEVATION
(Along & Abutment)
(Looking Up Station)



TYPICAL SECTION

**At the Contractor's option and expense, the backwall may be formed vertically as shown. (8.50 Cu. Yds. concrete) Concrete volume is for information only, not to be included in quantity summary.