

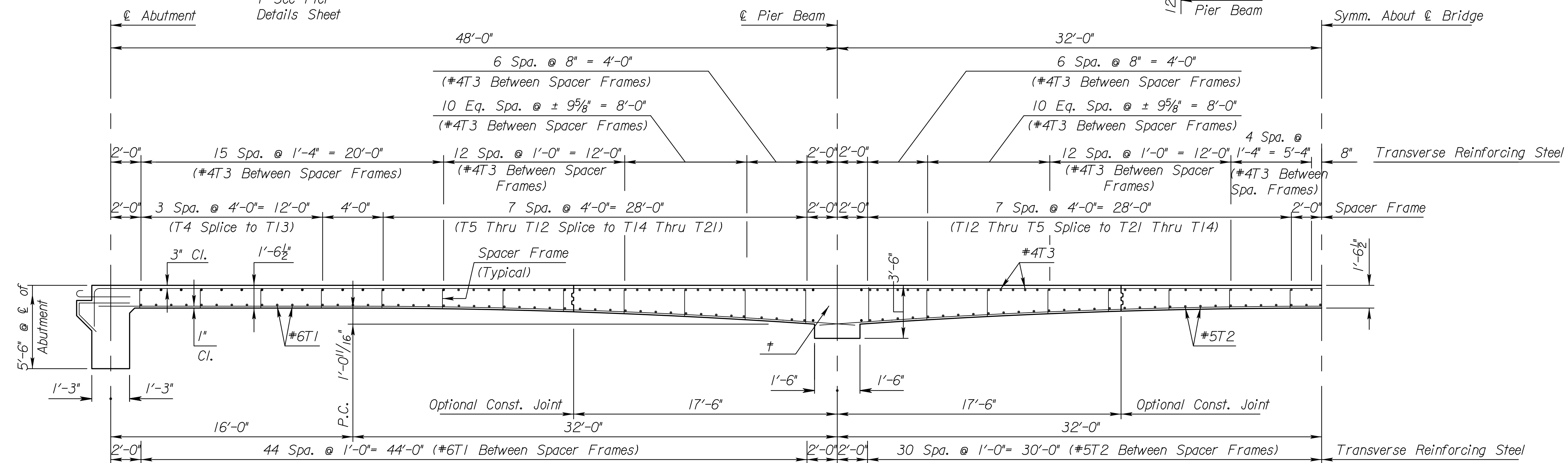
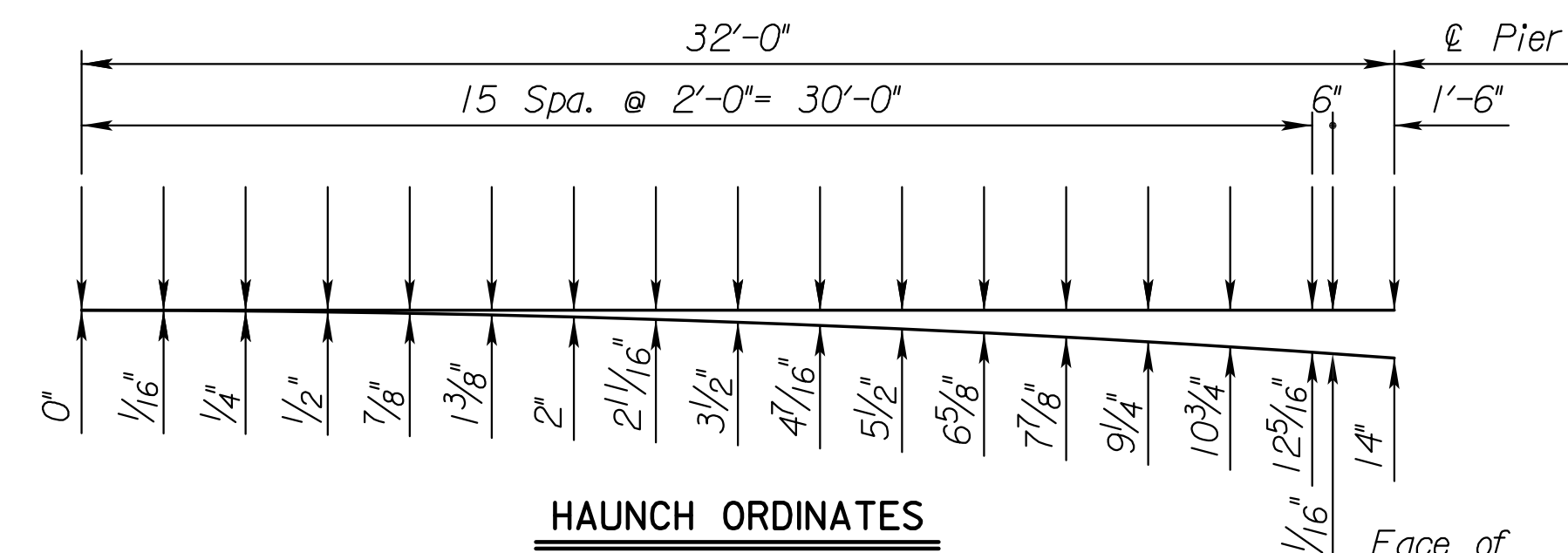
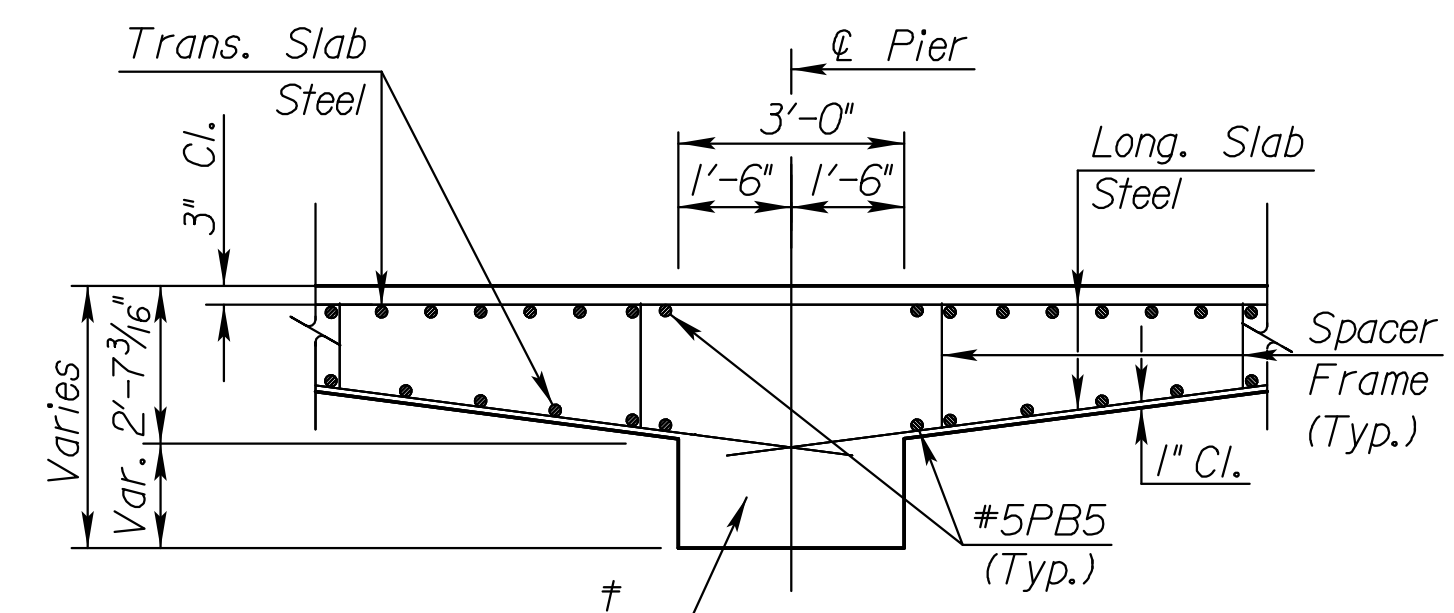
**CENTRAL AVENUE  
IMPROVEMENTS FROM  
135TH ST. W. TO 119TH ST. W.**

**135TH ST. WEST  
BRIDGE  
SUPERSTRUCTURE  
DETAILS - SECTION**  
SHEET TITLE  
472-84017  
PROJECT NUMBER

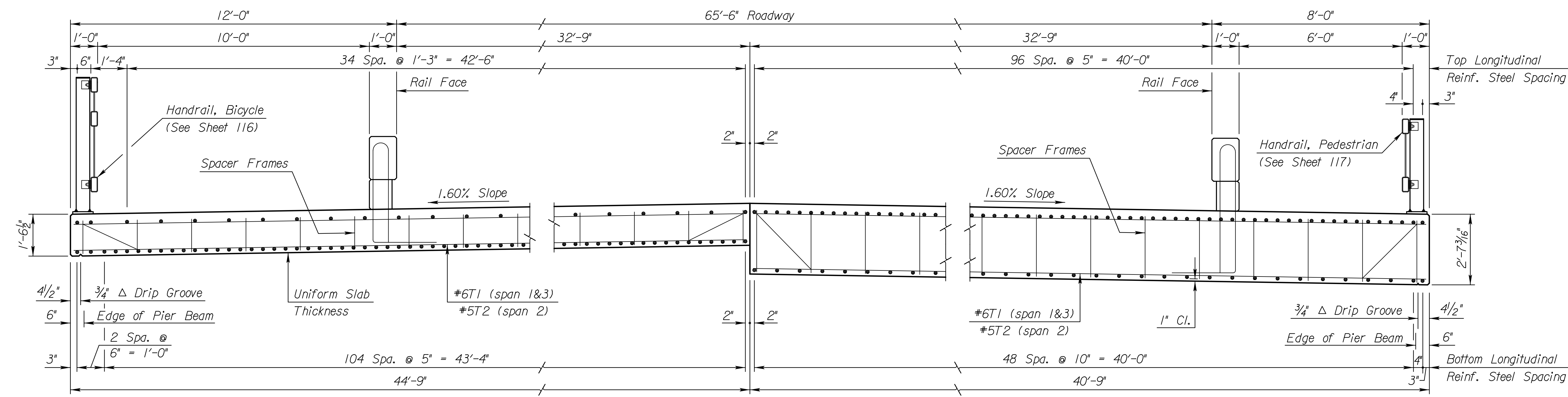
DESIGN BY: JAG  
DRAWN BY: DMU  
CHECKED BY: KJS

ISSUED  
November 9, 2012  
REVISED

SHEET NO.  
**113 of 220**



**HALF LONGITUDINAL SECTION ALONG C BRIDGE**



**Half Section Near Mid-Span**

**TYPICAL SECTION OF SLAB  
(End Span Shown)**

**Half Section at Face of Pier Beam**

PLOT: Wednesday, November 14, 2012 @ 02:29PM

J:\Civl\04238.dwg Bridge\_04238\_SUPER3\_135th.dwg