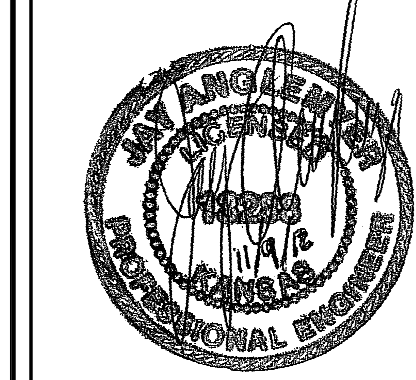


STATE	PROJECT NO.	YEAR	SHEET NO.	SHEETS
KANSAS	87 N-0351-01	2012	132	220

MKEC
ENGINEERING
CONSULTANTS, INC.

411 N. WEBB ROAD
WICHITA, K.S. 67206
316-684-9600



**CENTRAL AVENUE
IMPROVEMENTS FROM
135TH ST. W. TO 119TH ST. W.**

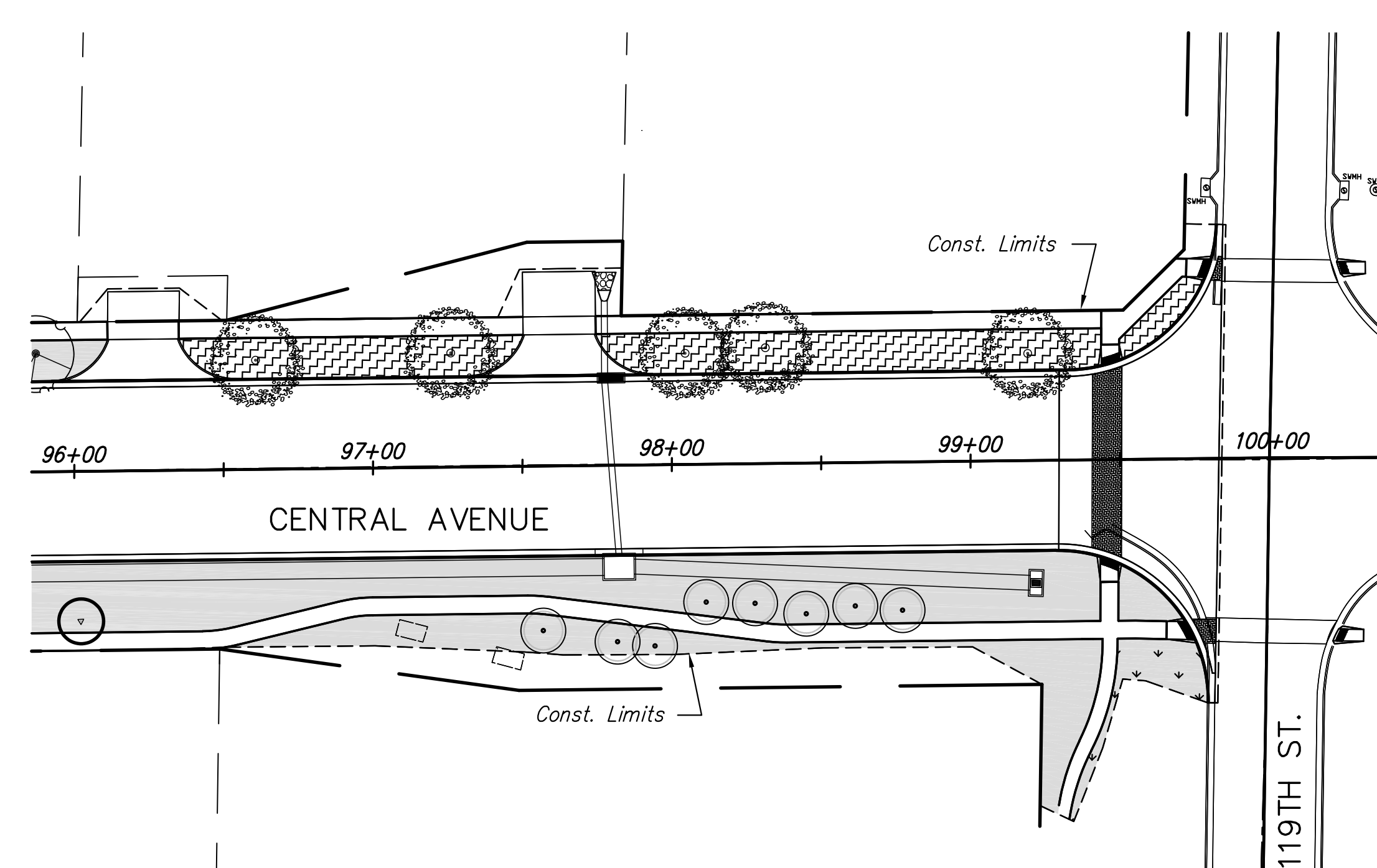
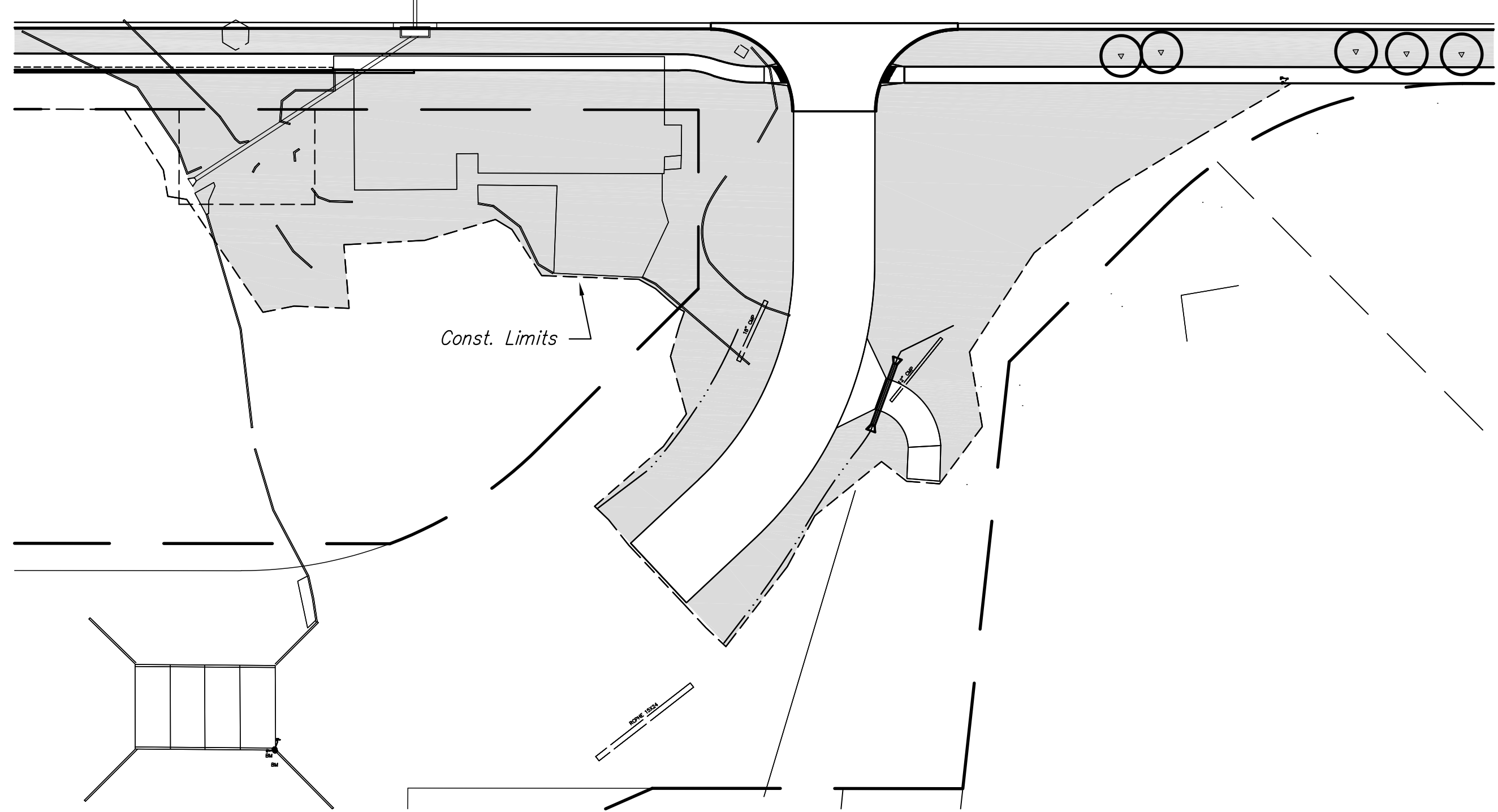
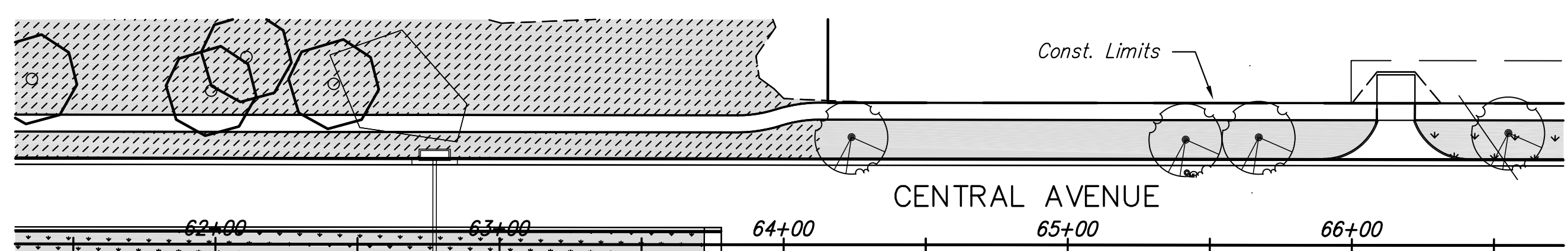
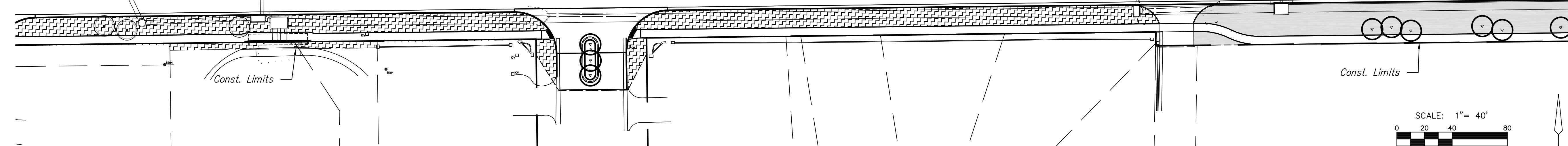
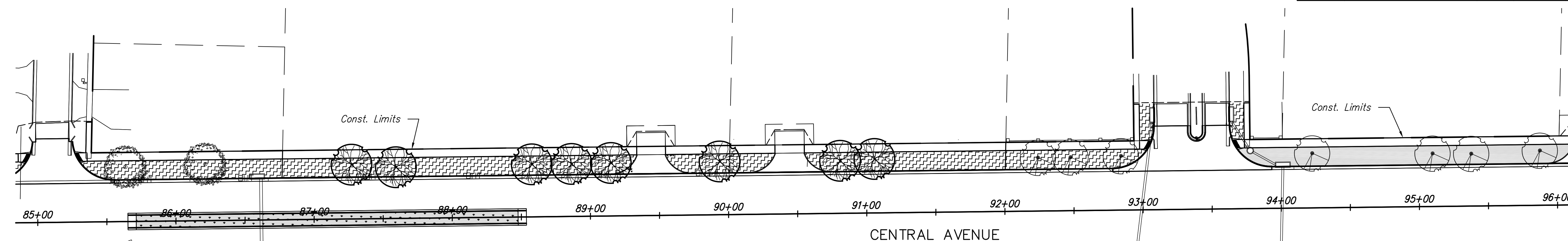
**ROADSIDE
IMPROVEMENT
PLAN**

SHEET TITLE
472-84017
PROJECT NUMBER

DESIGN BY
JAG
DRAWN BY
DPG
CHECKED BY
JRA

ISSUED
November 9, 2012
REVISED

SHEET NO.
132 of 220



- LEGEND**
- STORM WATER DEPT SEED AREAS
 - STANDARD SEED AREAS
 - BERMUDA SOD AREAS
 - BUFFALO SOD AREAS
 - RIP RAP-LIGHT STONE
 - NORTH AMERICAN GREEN C350 TURF REINFORCEMENT MAT OR APPROVED EQUAL. PAID FOR AS "TURF REINFORCEMENT MAT"
 - SOD, MATCH EXISTING TYPE
 - CONSTRUCTION LIMITS (LIMITS OF SITE RESTORATION)
 - CATALPA
 - TEXAS RED OAK
 - PRINCETON ELM
 - SAWTOOTH OAK
 - TEXAS WHITEBUD
 - TATARIAN MAPLE

NOTE: All new trees shall be placed a minimum 6' behind the Back of Curb.

PLOTTED: Wednesday, November 14, 2012 @ 02:43PM

J:\Civil\04238\Draws\Road\Improv\04238_Rd-Improv-3.dwg