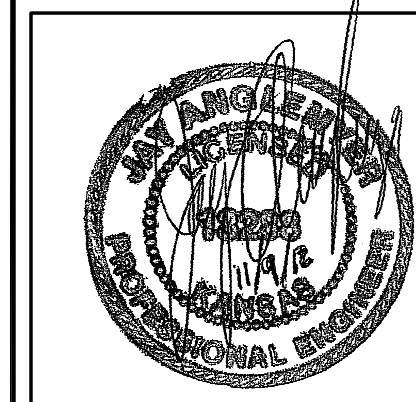


STATE	PROJECT NO.	YEAR	SHEET NO.	SHEETS
KANSAS	87 N-0351-01	2012	140	220

MKEC
ENGINEERING
CONSULTANTS, INC.

411 N. WEBB ROAD
WICHITA, K.S. 67206
316-684-9600



**CENTRAL AVENUE
IMPROVEMENTS FROM
135TH ST. W. TO 119TH ST. W.**

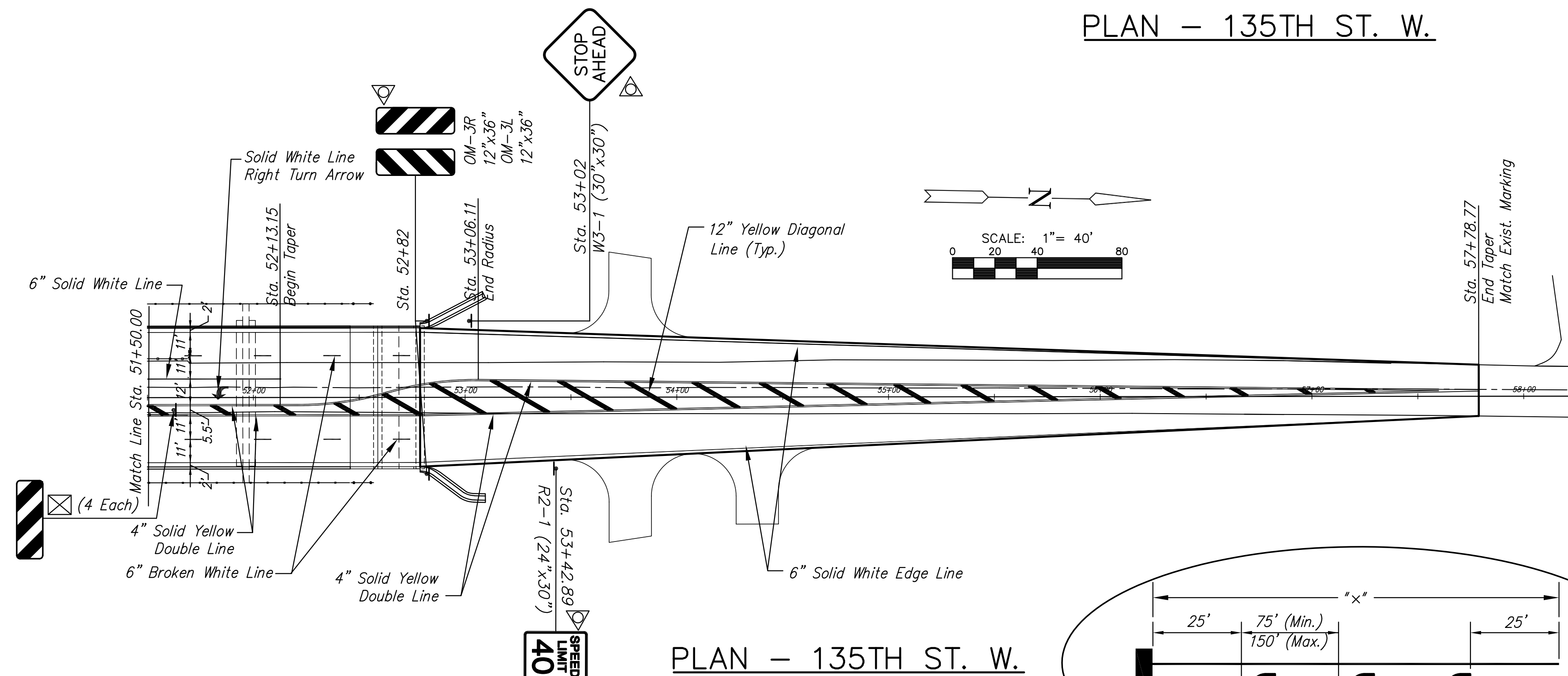
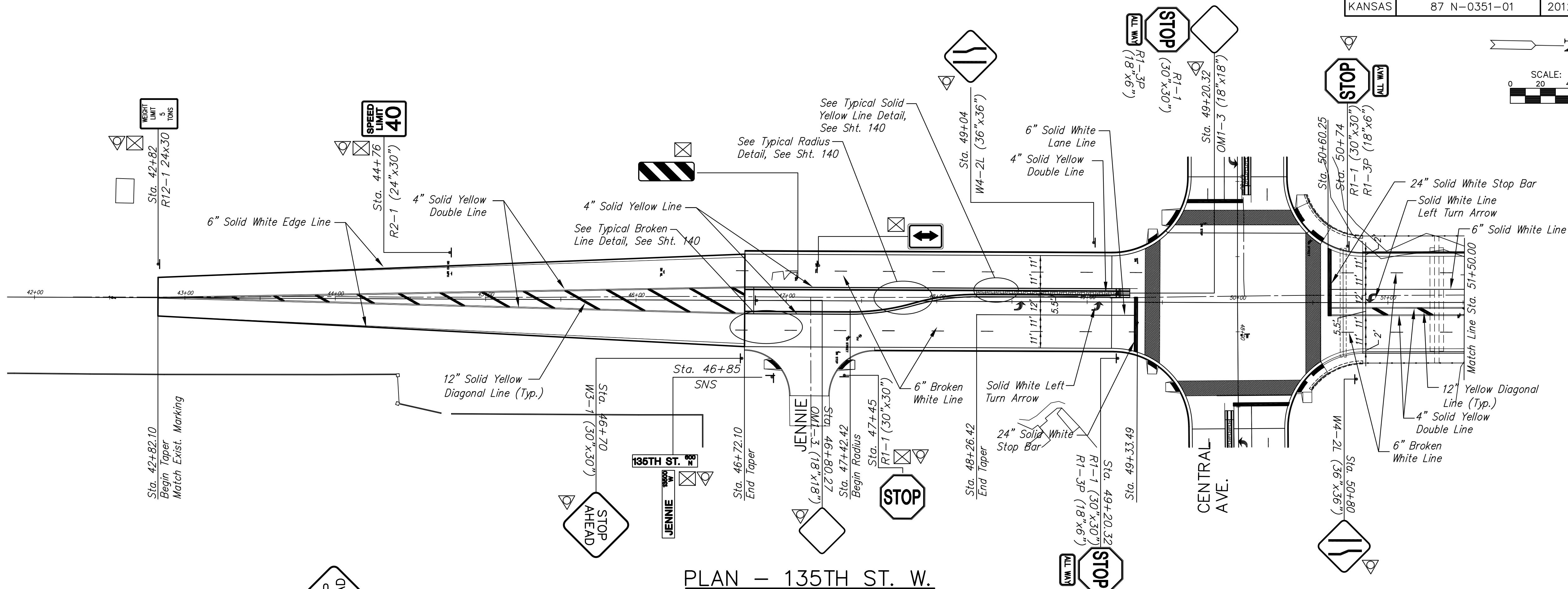
**PAVEMENT
MARKING &
SIGNING
PLAN**

SHEET TITLE
472-84017
PROJECT NUMBER

DESIGN BY: JRA
DRAWN BY: WANJ
CHECKED BY: JRA

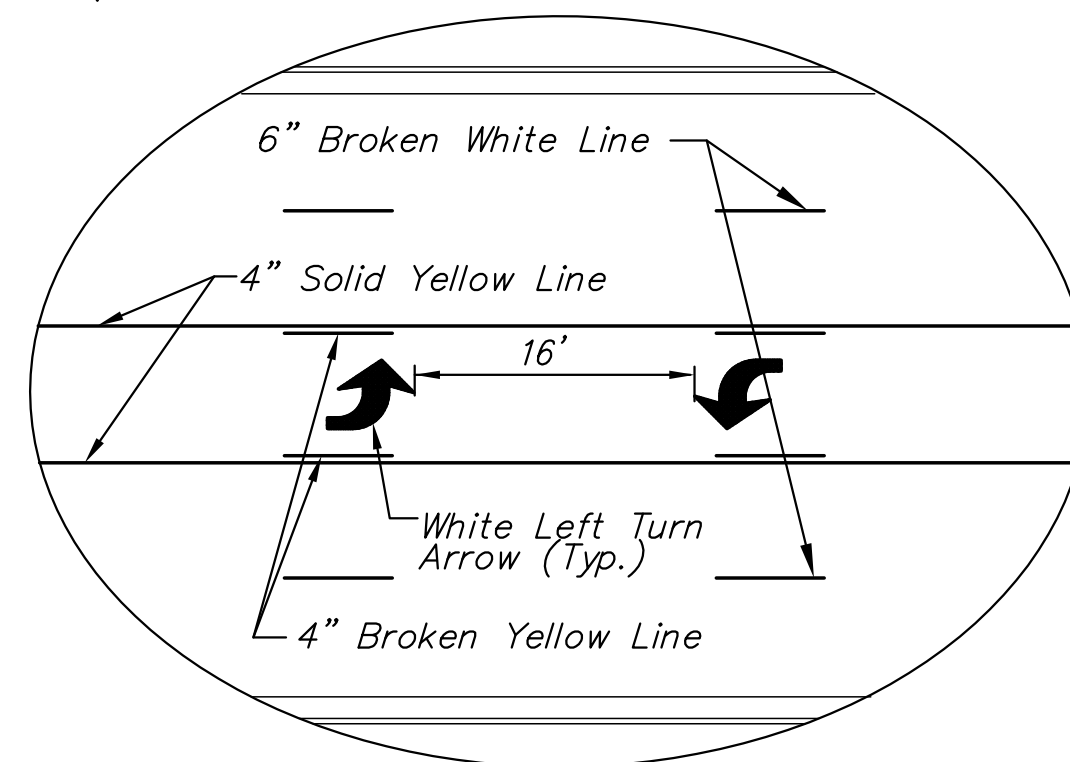
ISSUED
November 9, 2012
REVISED

SHEET NO.
140 of 220

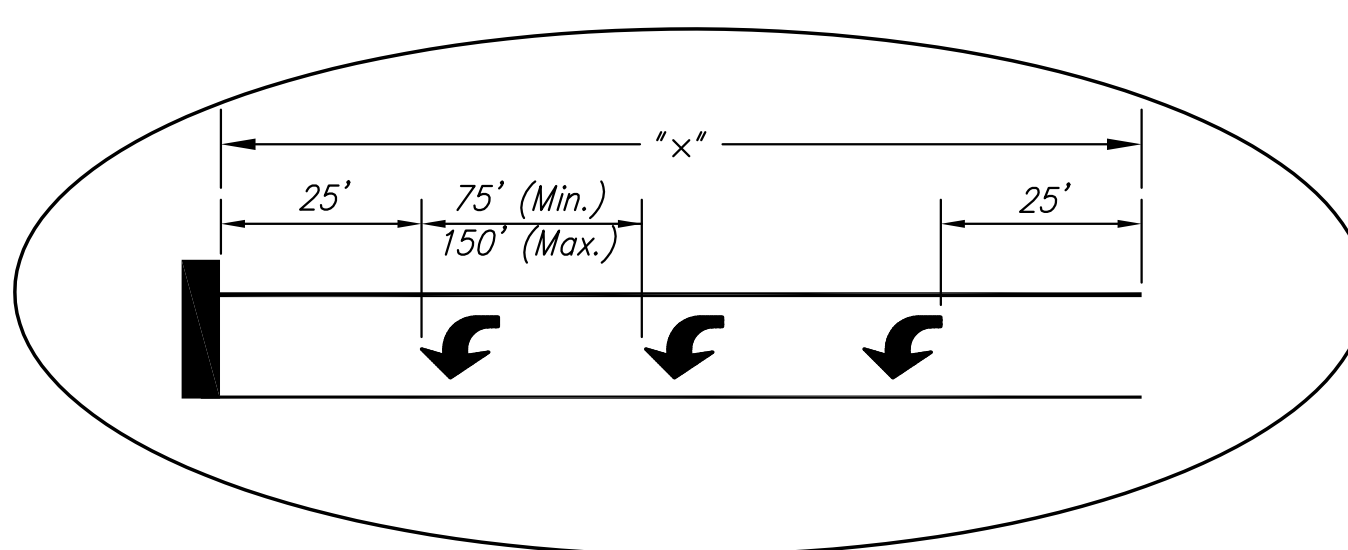


SIGNING LEGEND

- Sign not part of project
- New sign and post
- Remove existing sign and post and return to sign owner
- Street Sign
- Traffic Sign

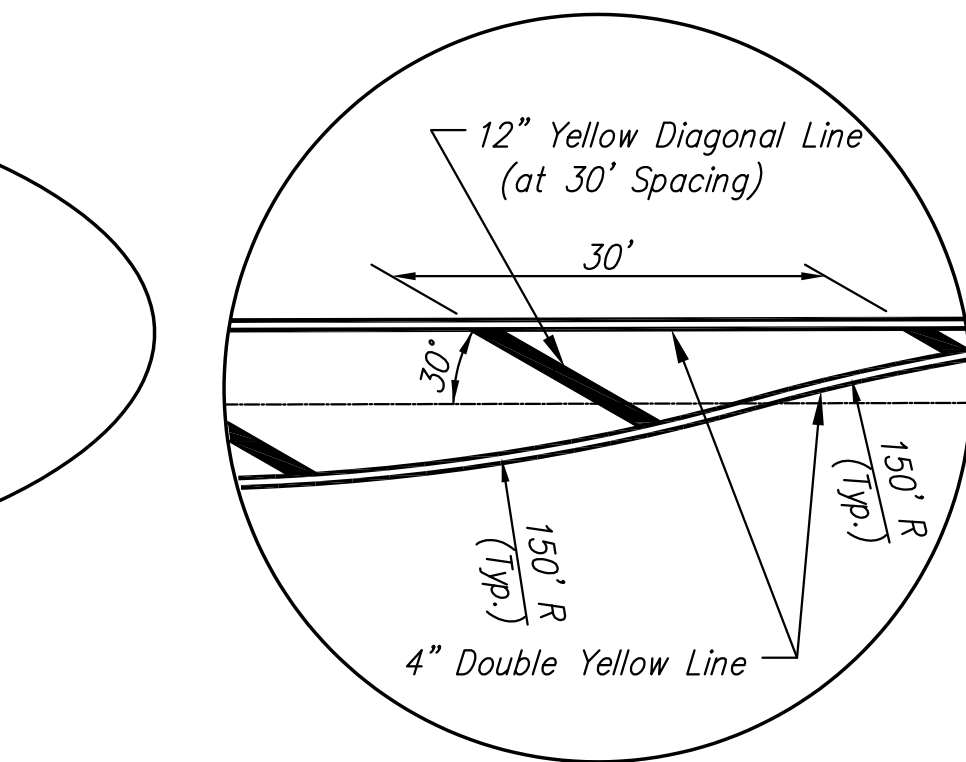


TWO WAY LEFT TURN DETAIL

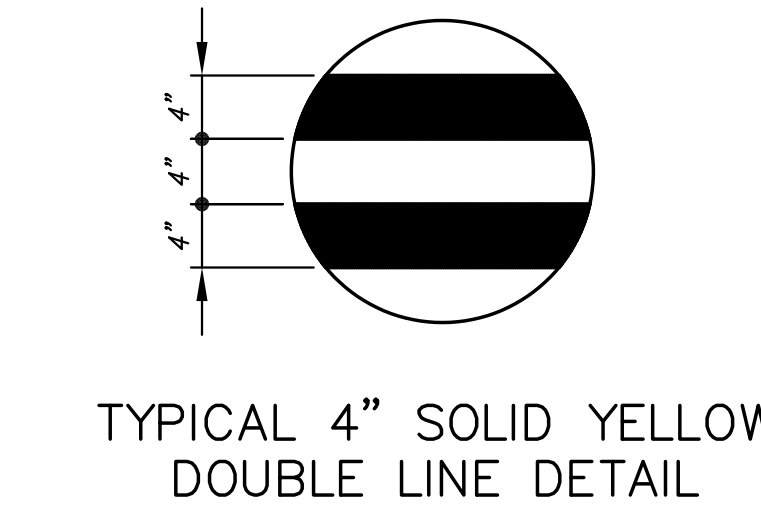


ARROW SPACING DETAIL

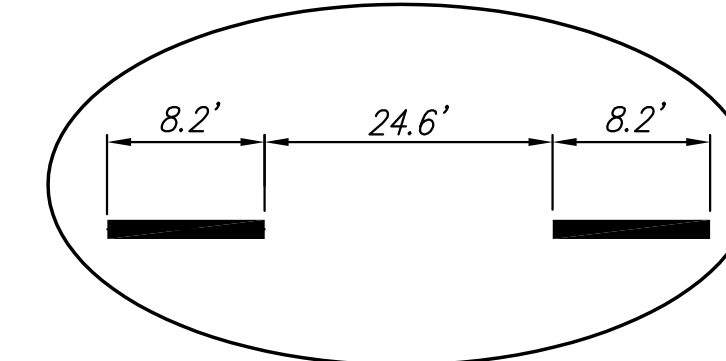
Note: Add a third arrow equidistant between the other two arrows only when "x" is greater than 200'.



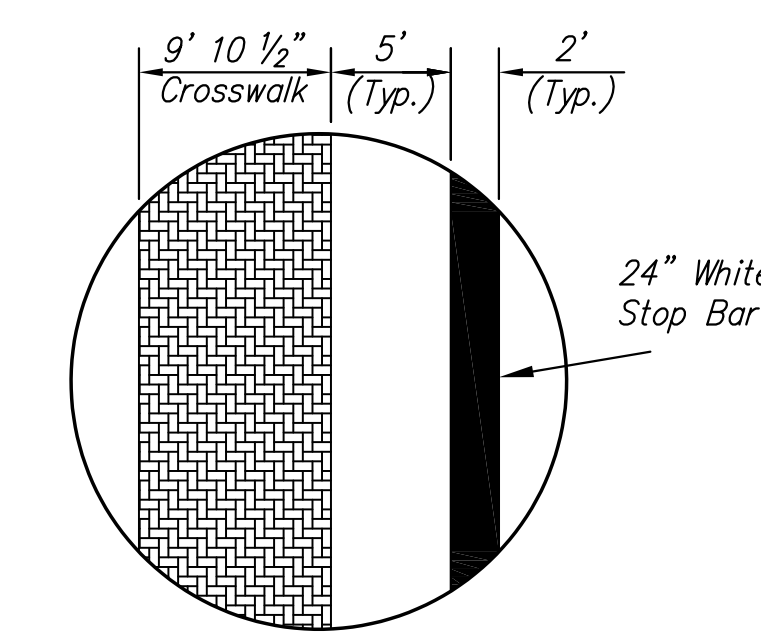
TYPICAL APPROACH TAPER DETAIL



TYPICAL 4" SOLID YELLOW DOUBLE LINE DETAIL



TYPICAL BROKEN LINE DETAIL



TYPICAL STOP BAR DETAIL