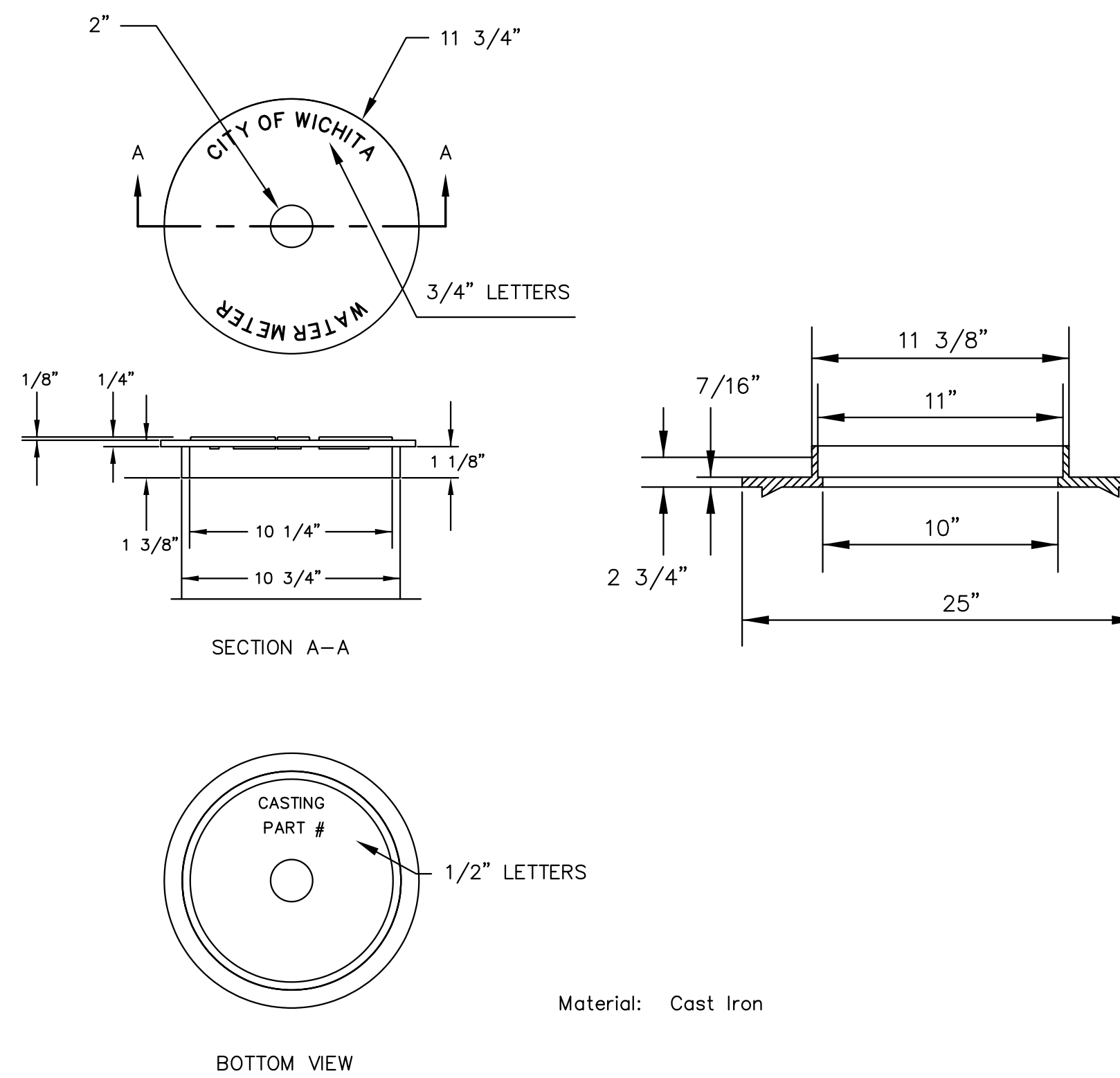
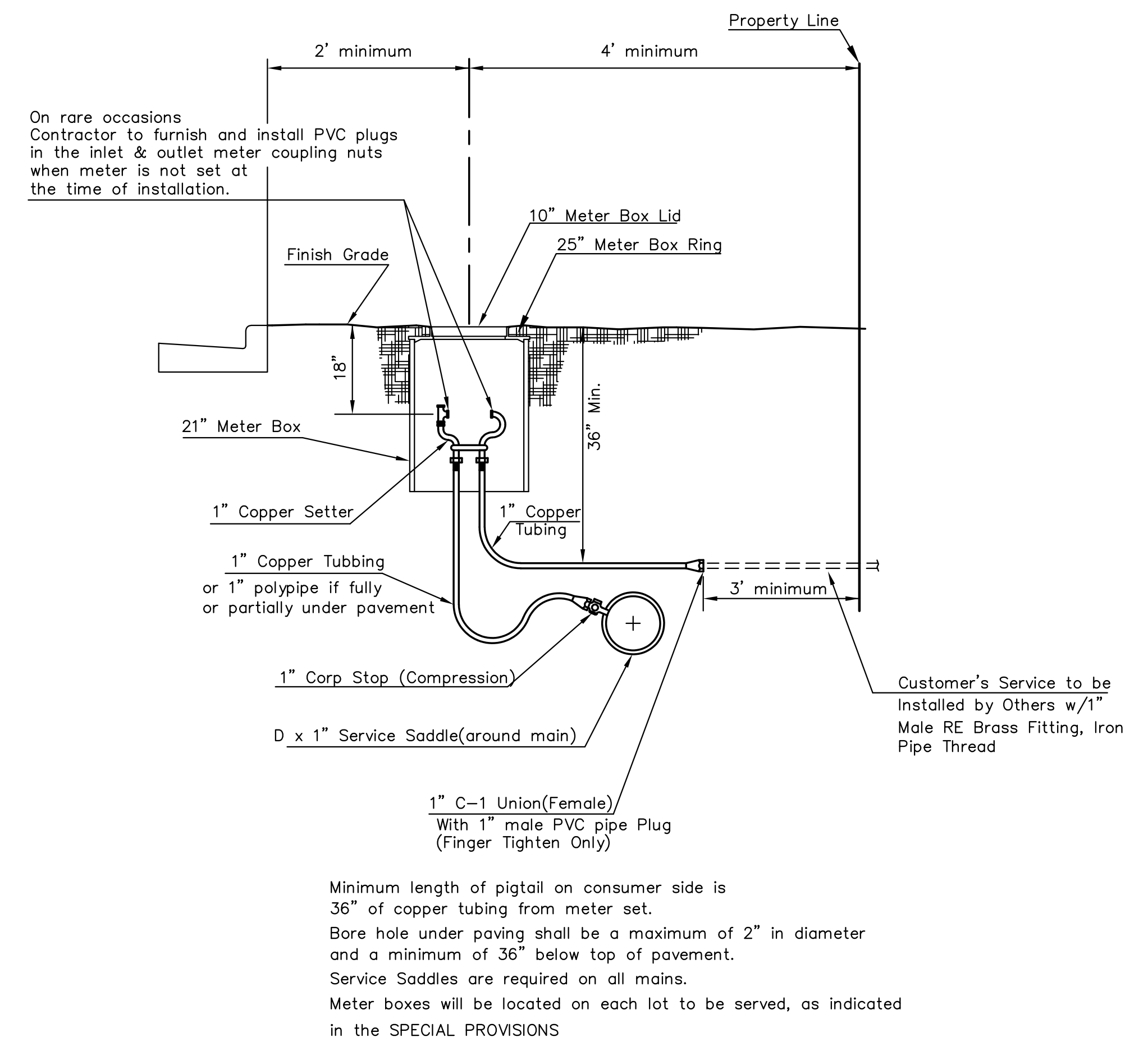


SERVICE TYPES

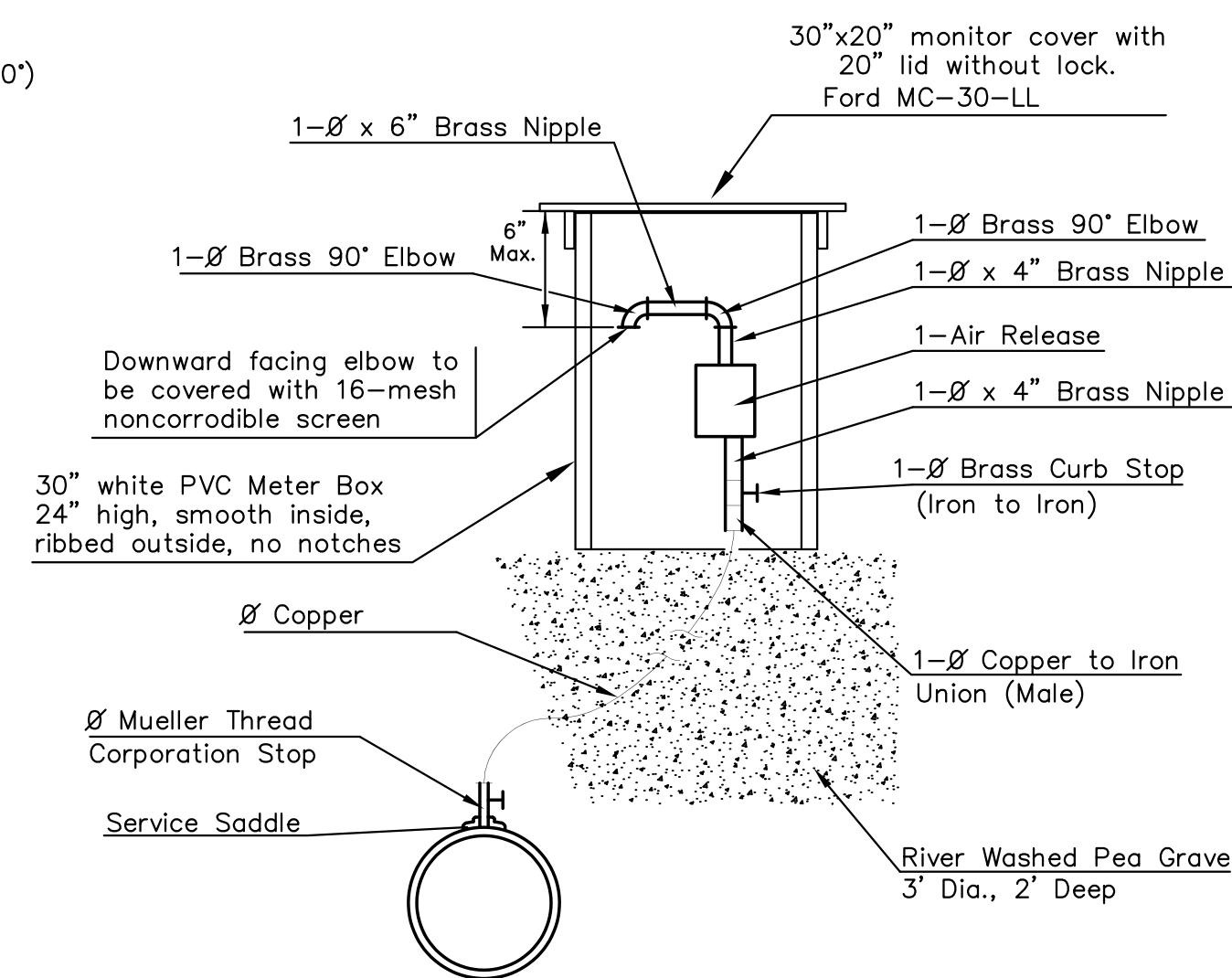


NOT TRAFFIC RATED
RING & LID FOR 1" METER BOX

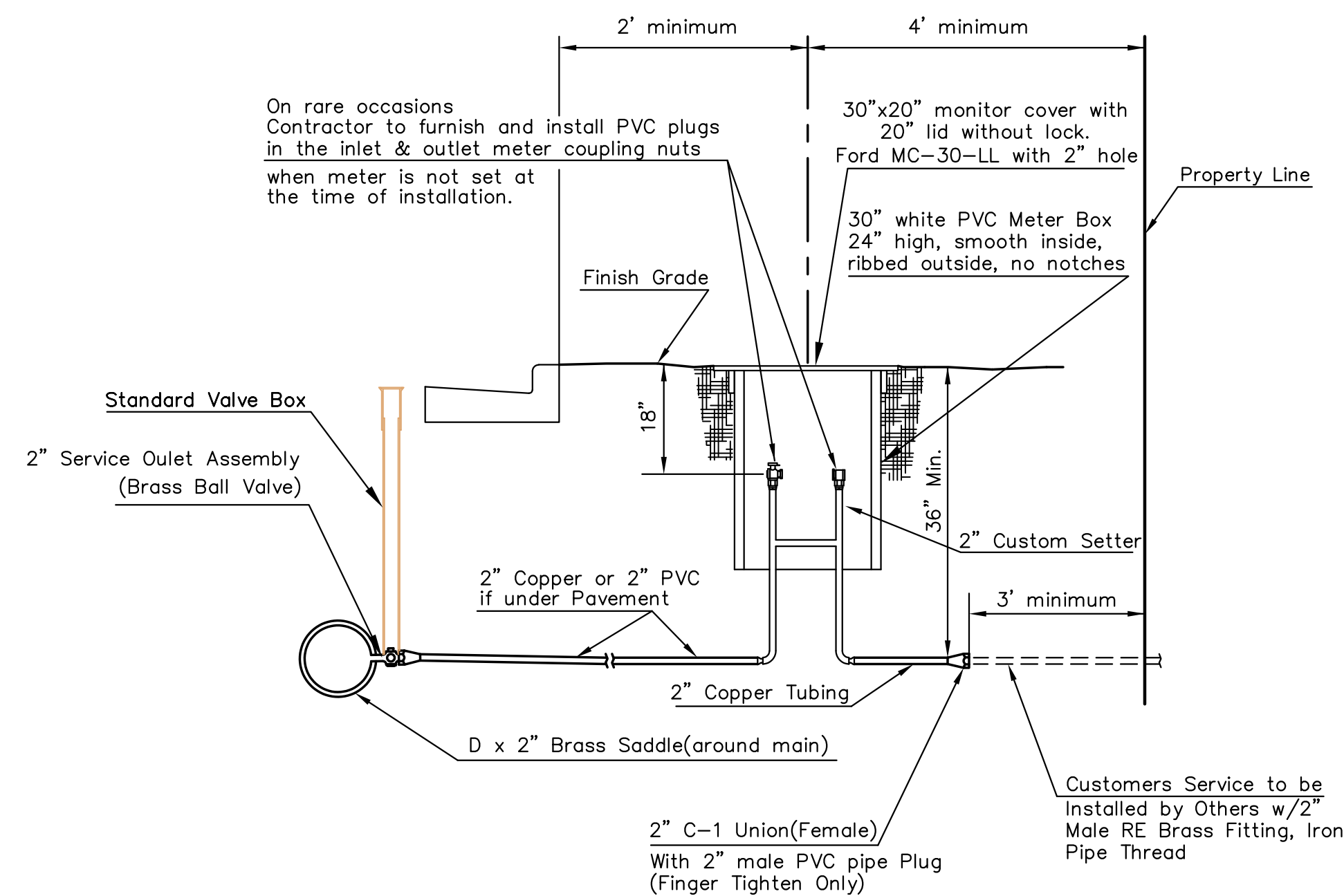


TYPICAL 1" METER SETTING

- 1 - \emptyset Mueller Thread Corporation Stop
- \emptyset Type "K" Copper Tubing
- 1 - \emptyset Copper to Iron Union (Male)
- 1 - \emptyset Brass Curb Stop (Iron to Iron)
- 2 - \emptyset x4" Brass Nipple
- Air Release
- 2 - \emptyset Brass Elbows (90°)
- 1 - 1"x6" Brass Nipple
- 1 - 30" Monitor Cover
- 1 - 20" Meter Lid

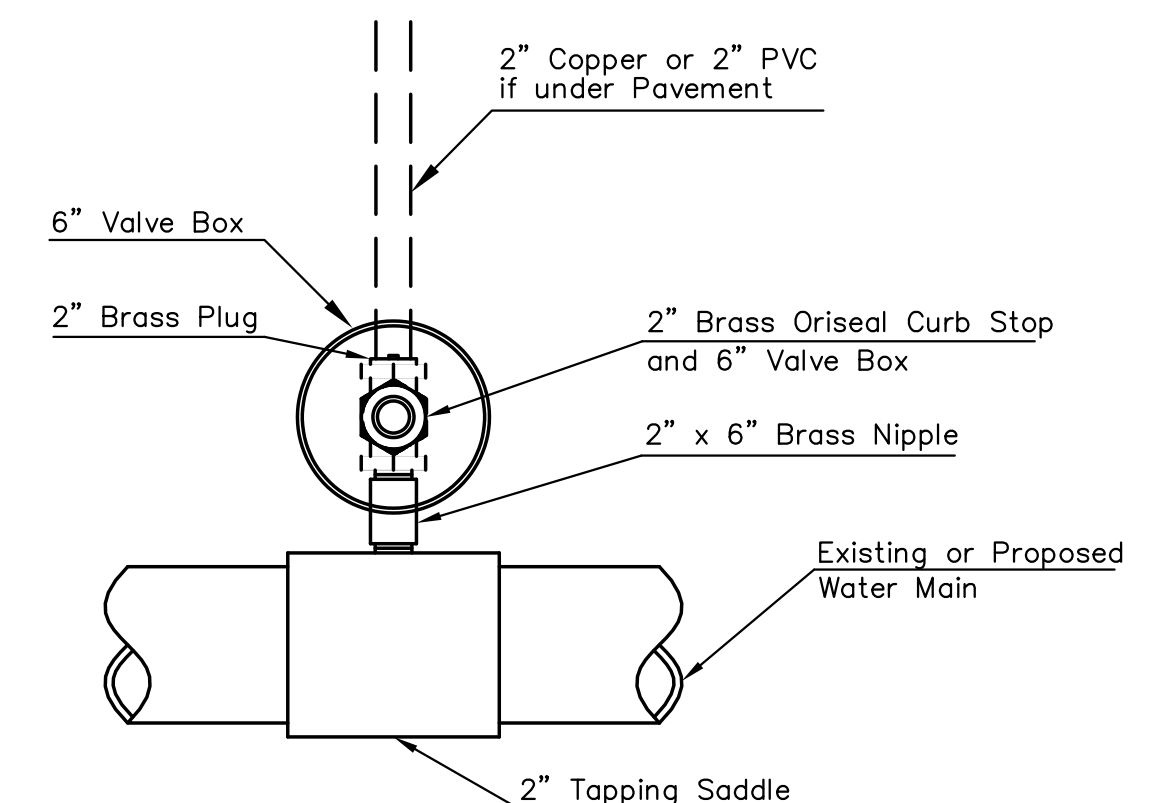


MATERIALS FOR 1" or 2" AIR RELEASE ASSEMBLY
 $\emptyset = 1" \text{ or } 2"$



TYPICAL 2" METER SETTING

Note: ONE VALVE STEM EXTENSION FOR EACH VALVE BURIED GREATER THAN 5'.



Note: Where the 2" Service Outlet Assembly is to be used to connect a 2" main to another main, the 2" valve shall be a 2" IPT Gate Valve. 2" ball or globe valves shall not be approved for this use.

2" SERVICE OUTLET ASSEMBLY

			STANDARD WATER SERVICE DETAIL		
			CITY ENGINEER GARY JANZEN, P.E.		
PROJECT NUMBER ####	OCA NUMBER ####	DATE 08/2012	DESIGN	DRAWN	
CITY ENGINEER'S OFFICE CITY HALL - SEVENTH FLOOR 455 NORTH MAIN STREET WICHITA, KANSAS 67202-1620 (316) 268-4501			SHEET	3 of 18	