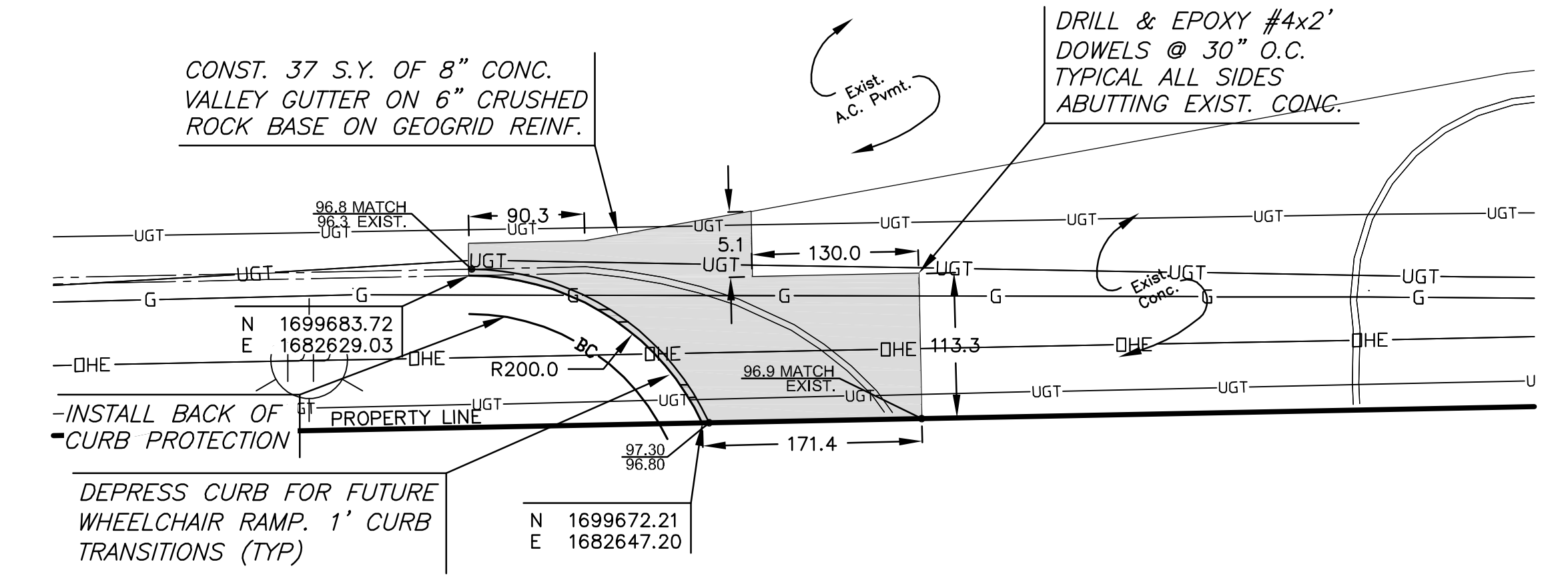


CONCRETE PAVER DETAIL

1. CONCRETE UNIT PAVERS SHALL MEET OR EXCEED ASTM C 936. THE STYLE SHALL BE "HOLLAND STONE" (4"x8"x3 1/8") AS MANUFACTURED BY PAVESTONE, INC., OR EQUAL AS APPROVED BY THE ENGINEER. COLOR SHALL BE RED AND LAYING PATTERN SHALL BE HERRINGBONE. ALL OTHER MATERIALS HEREIN RELATED TO BRICK PAVER INSTALLATION, SHALL BE SUBSIDIARY TO BRICK PAVERS.
2. SAND BEDDING SHALL MEET THE SPECIFICATION REQUIREMENTS FOR FINE AGGREGATE. AN UNCOMPACTED SAND LAYING COURSE SHALL BE SPREAD EVENLY OVER THE AREA TO BE PAVED AND THEN SCREEDED TO A LEVEL OF APPROXIMATELY 1" MAX. THICKNESS. ONCE SCREEDED AND LEVELED TO THE DESIRED ELEVATION, THE SAND LAYING COURSE SHALL NOT BE DISTURBED IN ANY WAY.
3. THE PAVING BRICK SHALL BE INSTALLED IN A HERRING BONE PATTERN AS SHOWN IN THE PLAN. STONES SHALL BE PLACED WITH THE CHAMFERED SIDE UP, AND JOINT SPACES KEPT UNIFORM APPROXIMATELY 1/8 INCH THICK. THE GAPS AT THE EDGE OF THE PAVED SURFACE SHALL BE FILLED WITH STONES CUT TO FIT. CUTTING SHALL BE ACCOMPLISHED TO LEAVE A CLEAN EDGE TOWARD THE TRAFFIC SURFACE, USING A MASONRY SAW. WHENEVER POSSIBLE, NO CUTS SHOULD RESULT WITH A PAVER LESS THAN ONE-THIRD OF ITS ORIGINAL DIMENSION.
4. PAVING BRICK SHALL BE VIBRATED TO THEIR FINAL LEVEL IN THE SAND LAYING COURSE BY A VIBRATING COMPACTOR WITH THE SURFACE CLEAN AND JOINTS OPEN.
5. AFTER VIBRATION, CLEAN CONCRETE SAND SHALL BE SPREAD OVER THE PAVING STONE SURFACE, ALLOWED TO DRY, AND VIBRATED INTO THE JOINTS WITH ADDITIONAL PASSES OF THE PLATE VIBRATOR SO AS TO COMPLETELY FILL THE JOINTS. A LIGHT COATING OF SAND SHALL BE SWEEPED OVER THE COMPLETED SURFACE AND LEFT TO WEATHER IN.



PLOTED: Monday, December 03, 2012 @ 05:21PM

J:\PROJECTS\2012\1201010125_OCCIDENTAL_CRANBROOK_35-CIVIL\CAD\PAV\12125_E-PLANDWG

PAVING PLAN		
SHEET TITLE		
472-85061		
PROJECT NUMBER		

SPE	SPE	BLB
DESIGNED	DRAWN	CHECKED

ISSUED
November 2012

REVISED

SHEET NO.
5 of 11