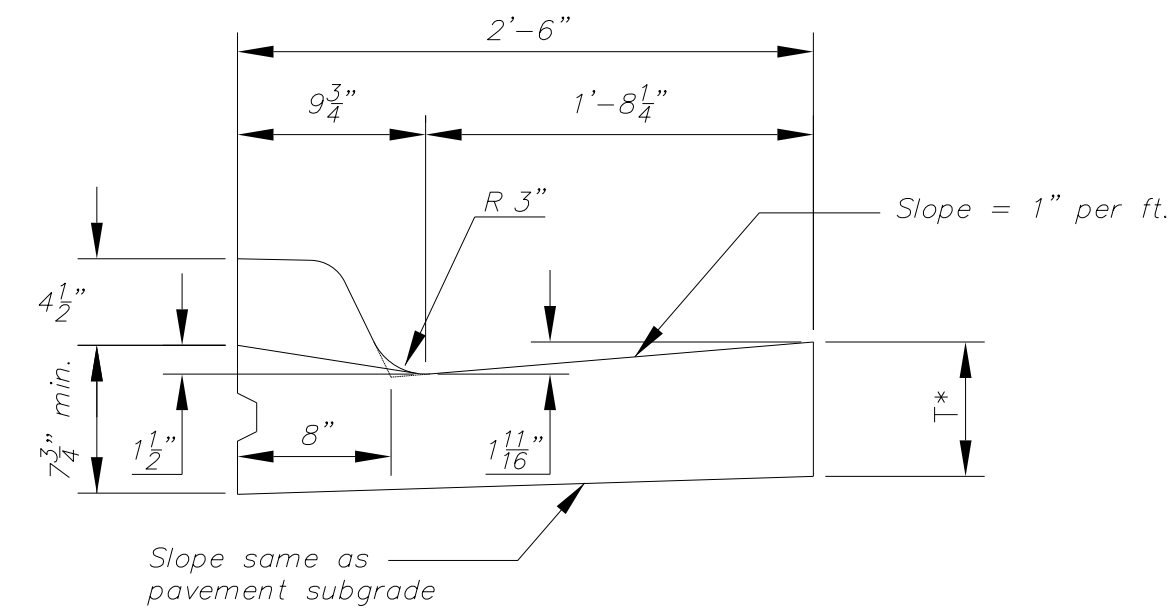
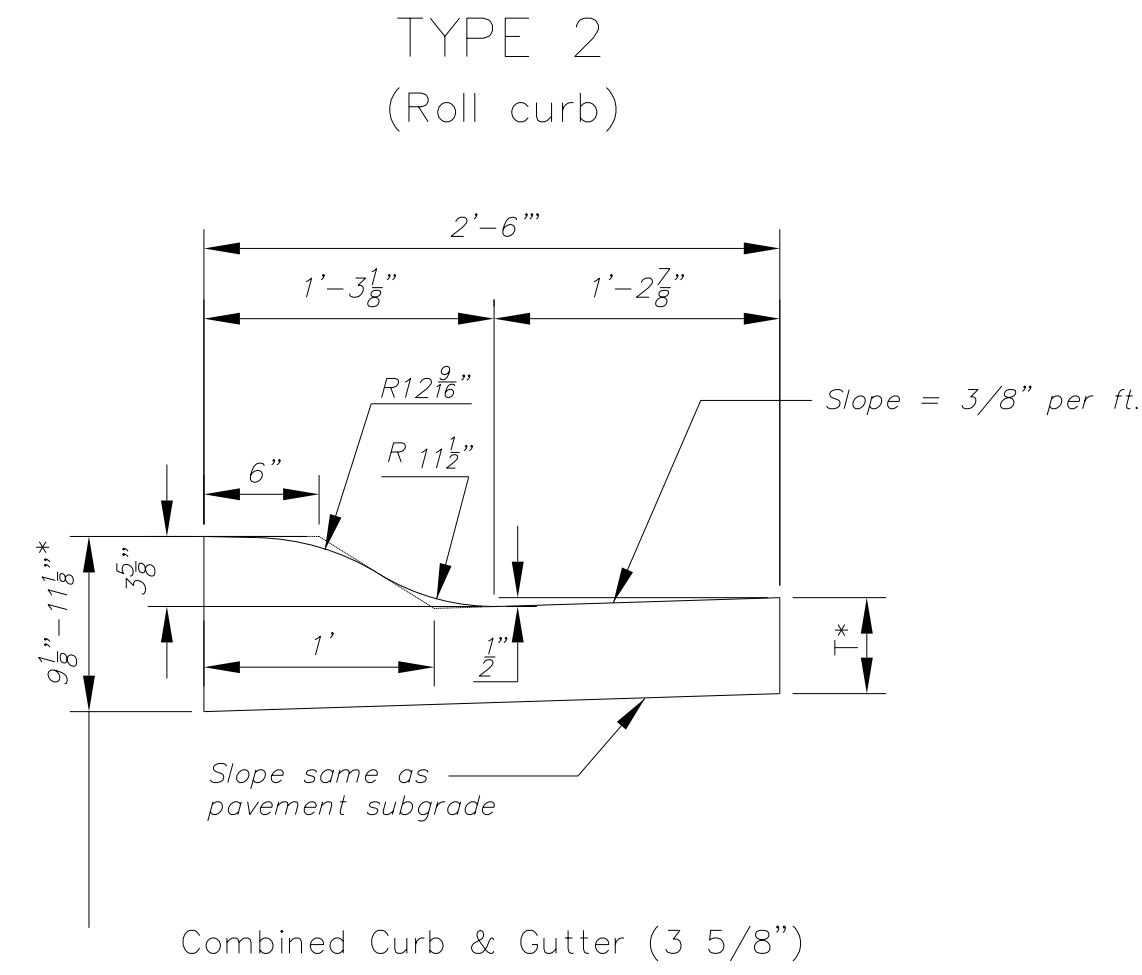


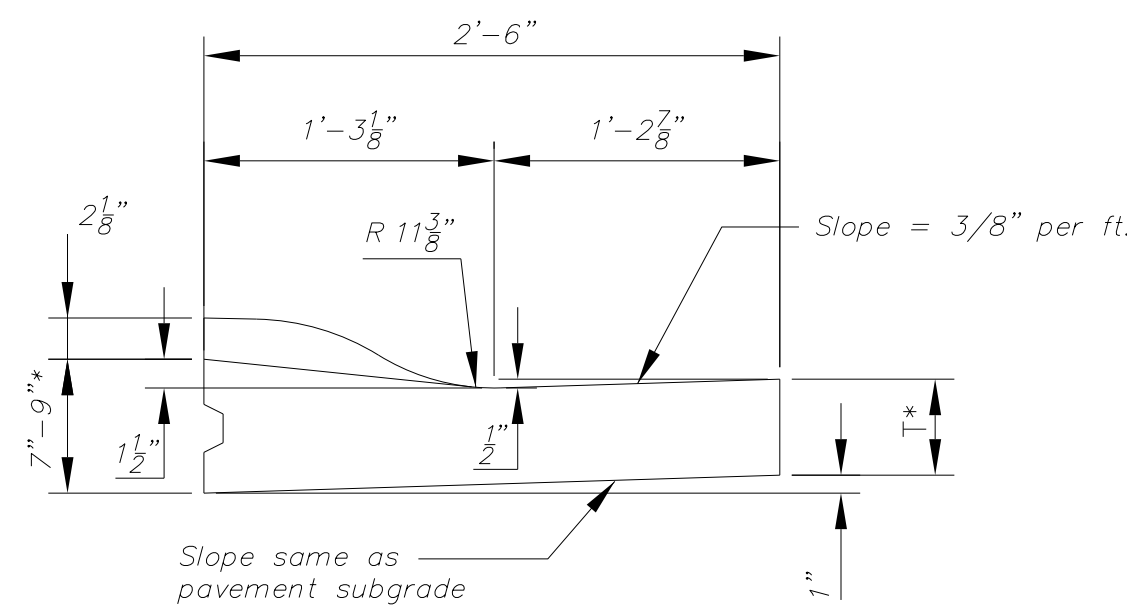
Combined Curb & Gutter (6")



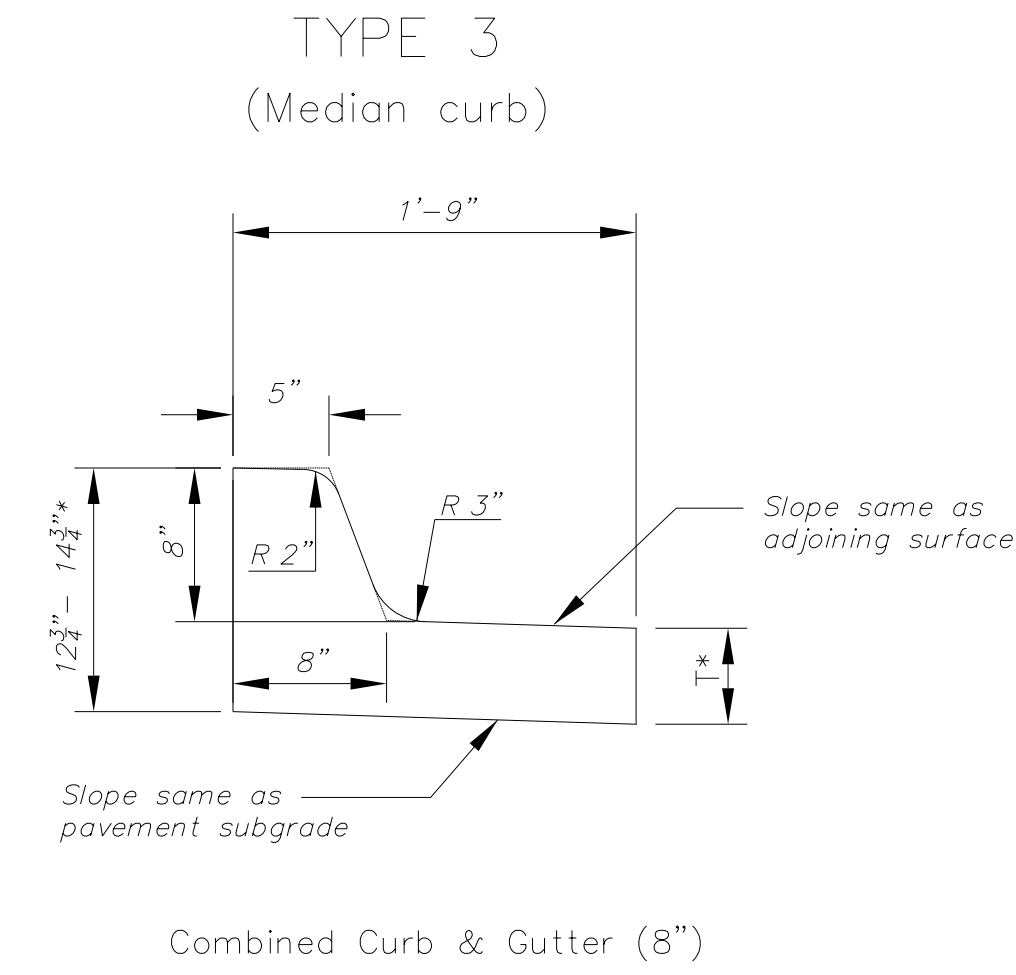
Combined Curb & Gutter (1 1/2")



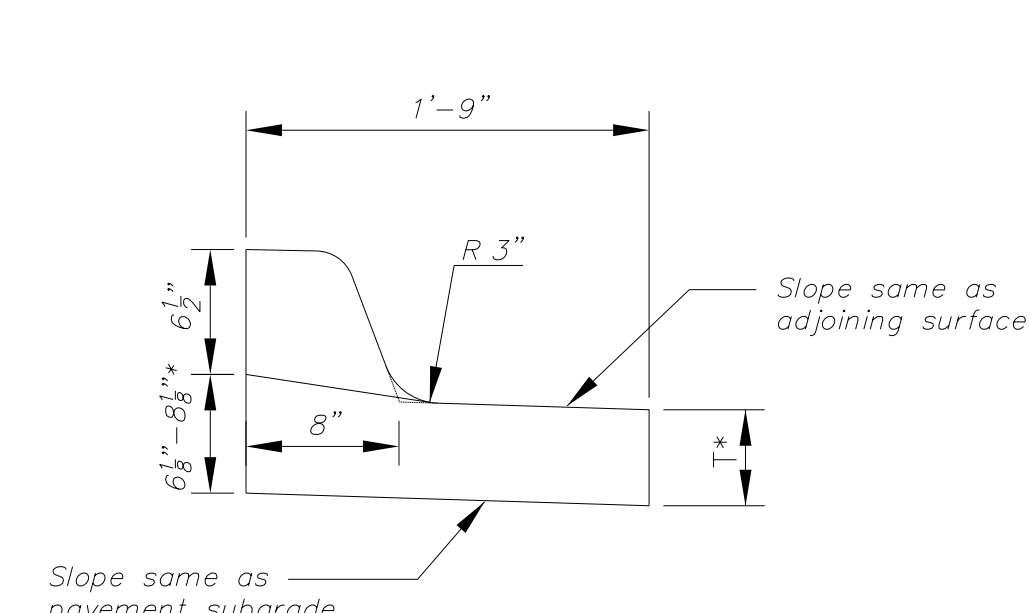
Combined Curb & Gutter (3 5/8")



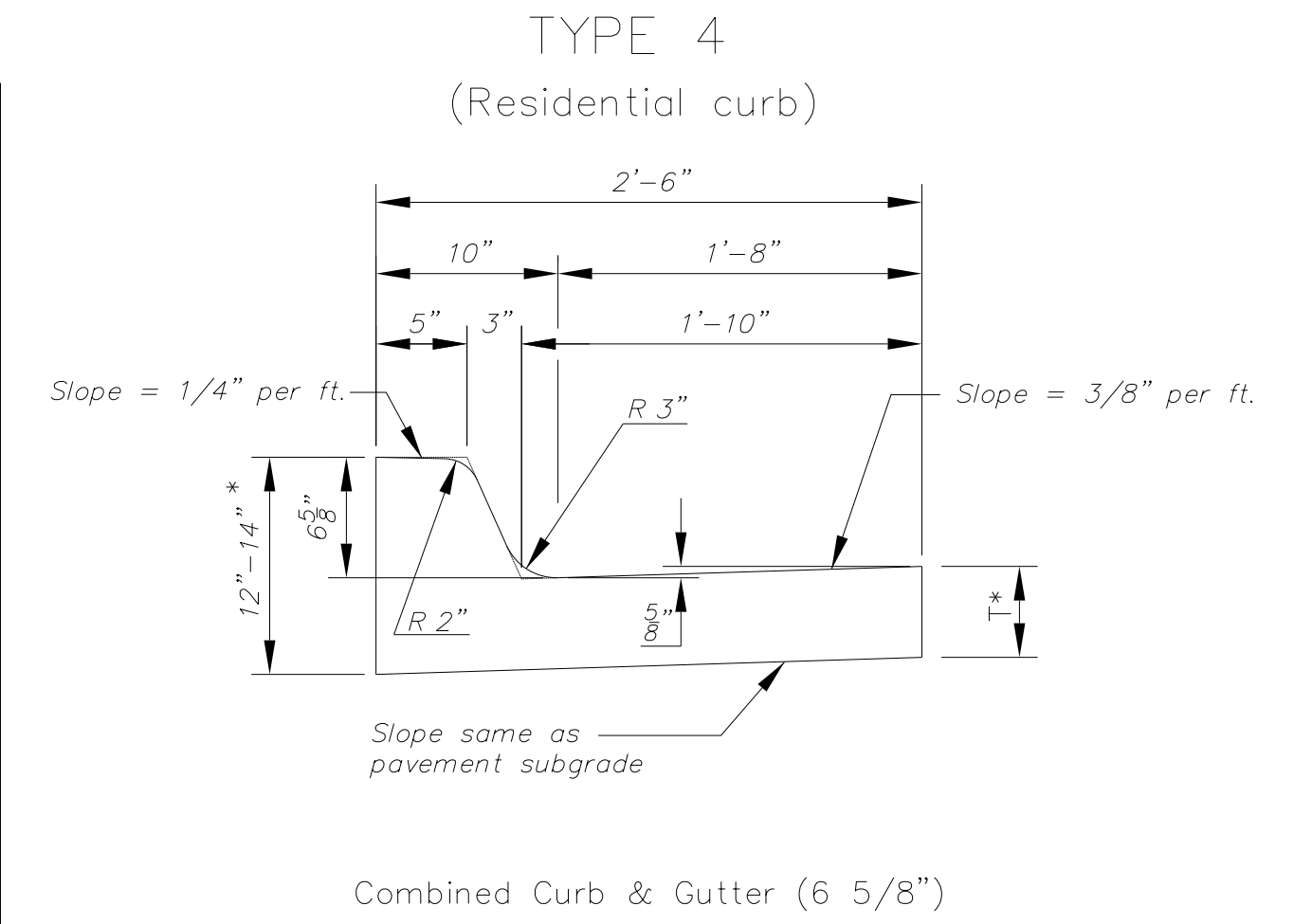
Combined Curb & Gutter (1 1/2")



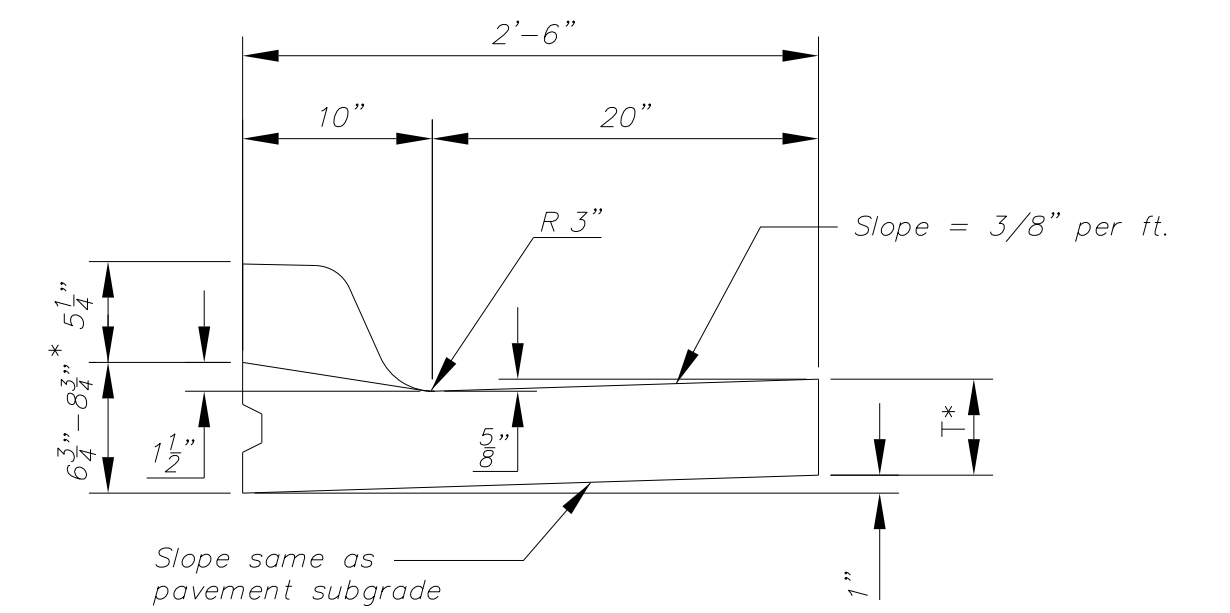
Combined Curb & Gutter (8")



Combined Curb & Gutter (1 1/2")



Combined Curb & Gutter (6 5/8")

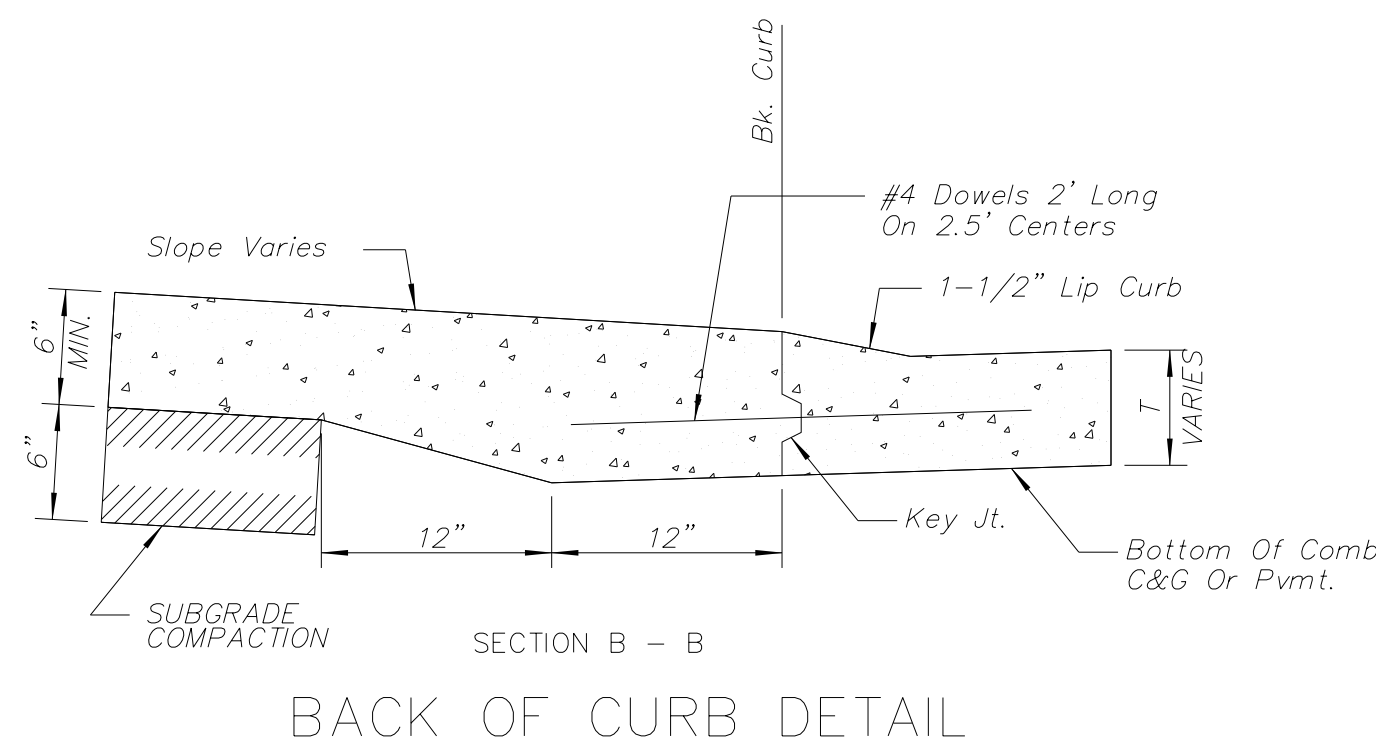


Combined Curb & Gutter (1 1/2")

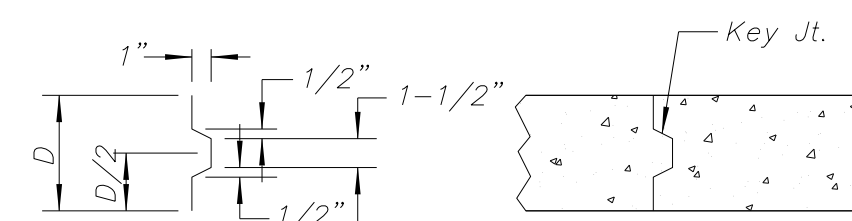
T* = Thickness of curb to adjust with pavement thickness

GENERAL NOTES

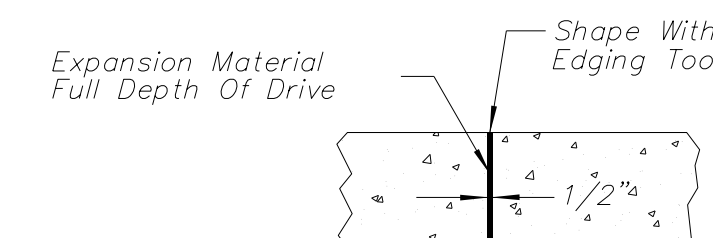
- Expansion (isolation) joints shall be constructed a maximum of 300' apart and at all PIs, PCs, cul-de-sac quadrants, and ends of returns.
- Contraction joints shall be constructed a minimum of 12' apart.
- Joint sealer shall be required at all joints on arterial and industrial streets and at intersections on residential streets.



SECTION B - B
BACK OF CURB DETAIL



ALT. LONGITUDINAL CONSTRUCTION JOINT



EXPANSION JOINT (E.J.)

Plotted on: Monday, October 24, 2011 09:33 AM
 mbechtel
 Plot Queue: \\ovp000\PLTBWLP
 Plot Scale: 10.000000:0.000000 Pen Table: \\ovp000\Jobs\4809\Common\Highway\Library\lolo\pen\CC-22x35.pen
 Design Filename: \\ovp000\Jobs\4809\Hoover\CD\Detail\Wichita\hr_curb-gutter-det.dgn



 PUBLIC WORKS & UTILITIES ENGINEERING DIVISION	CURB & GUTTER DETAILS		
	CITY ENGINEER JAMES L. ARMOUR, P.E., L.S.		
	PROJECT NUMBER 472-84817 PHASE II	OCA NUMBER 770005	DATE 11/2011
	CITY ENGINEER'S OFFICE CITY HALL - SEVENTH FLOOR 455 NORTH MAIN STREET WICHITA, KANSAS 67202-1620 (316) 268-4501		DESIGN DRAWN SHEET 27 of 93