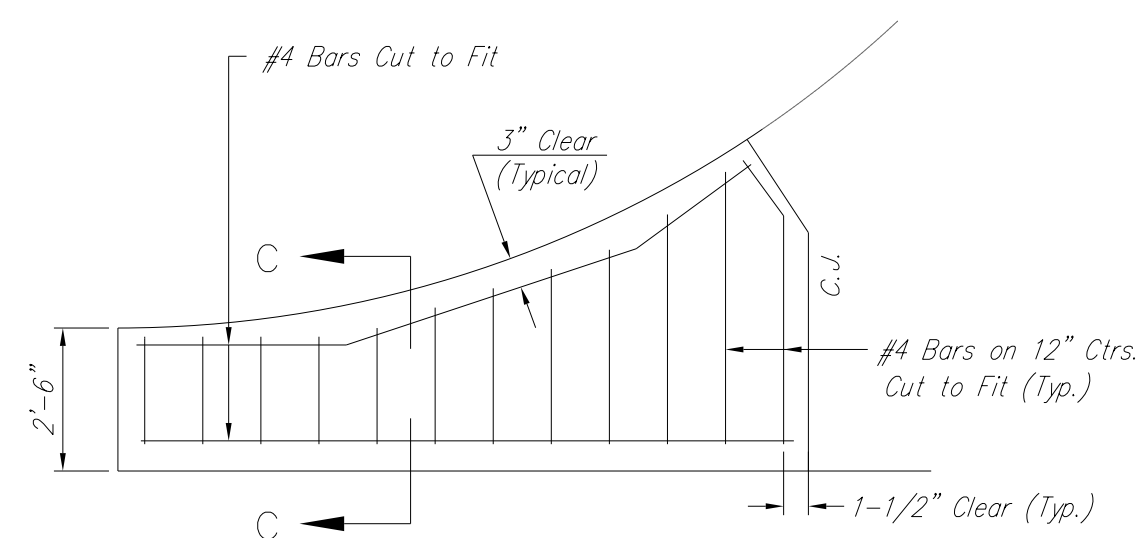
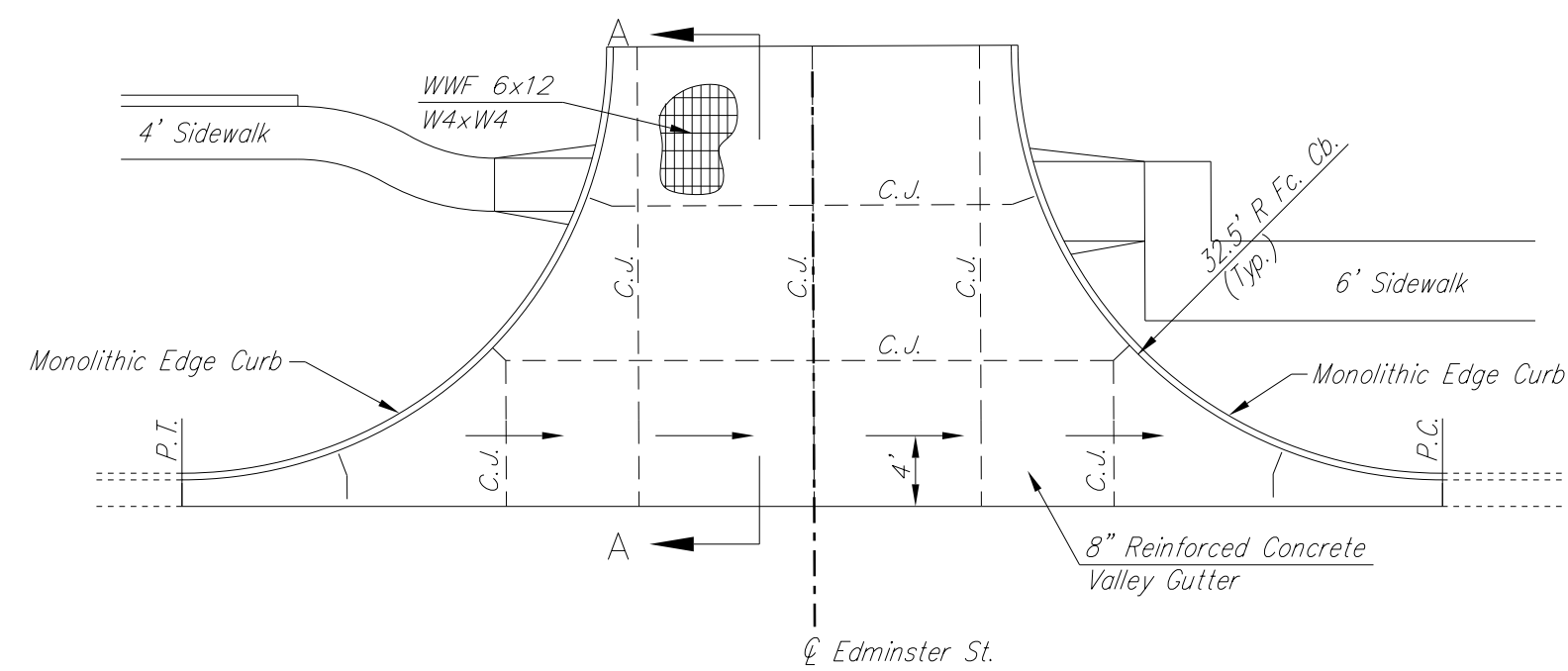
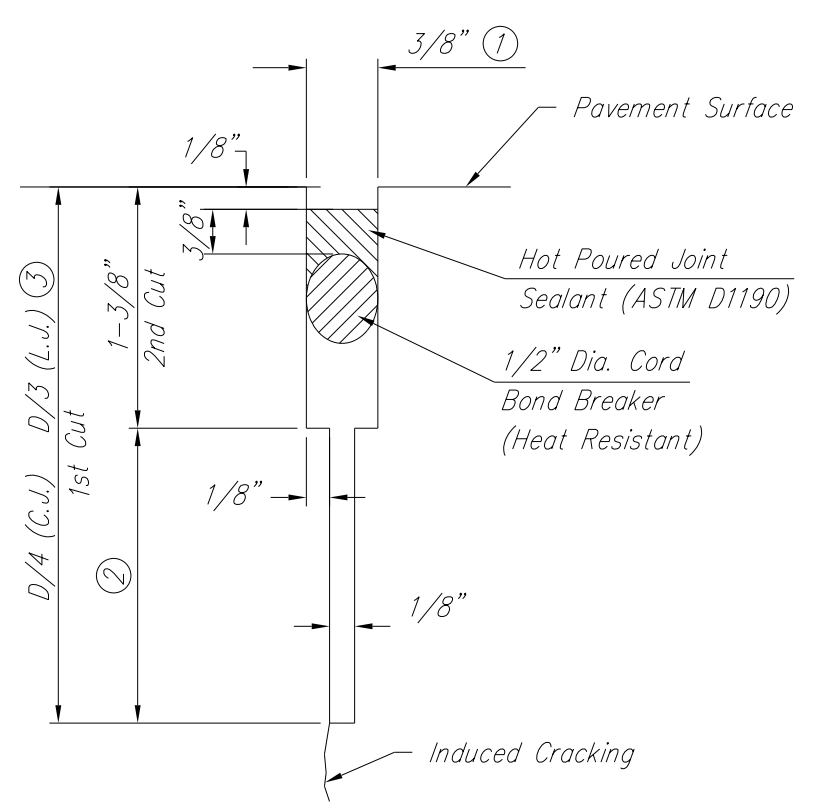


PROJECT NO.	YEAR	SHEET NO.	TOTAL SHEETS
472-84817 PHASE II	2011	28	93

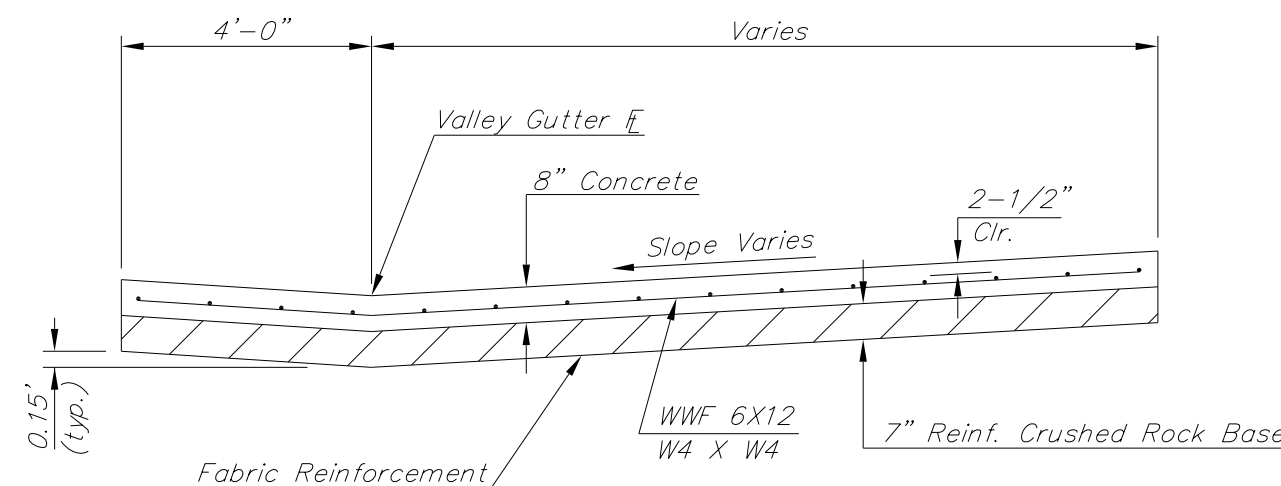


WING REINFORCING DETAIL
NOTE: OMIT WIRE FABRIC REINFORCING IN THIS SECTION.

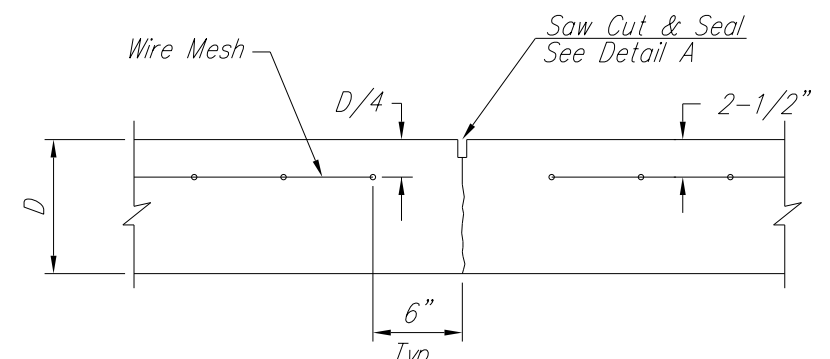


DETAIL A

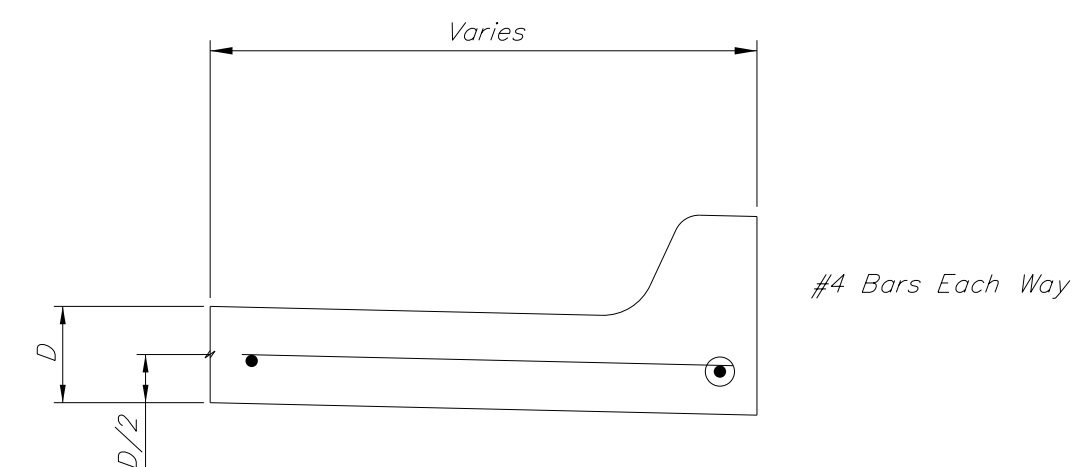
- ① To be accomplished in 2 cuts for Longitudinal Joints and Contraction Joints. Initial cut to be 1/8" wide.
- ② Eliminate bottom of cut when metal keyway is used as part of Longitudinal or Transverse Construction Joint and at Doweled Construction Joint Locations.
- ③ 1 1/2" Minimum



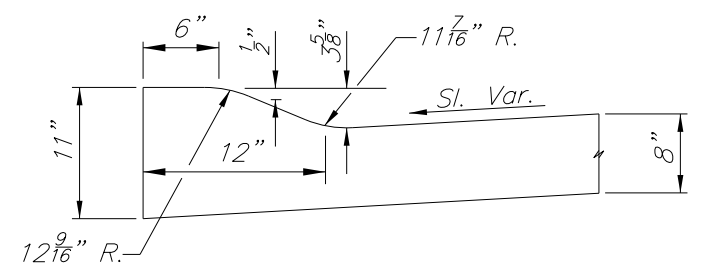
SECTION A-A
NOTE: OMIT REINFORCING MESH AT ALL JOINTS.
NOTE: ALL CONCRETE VALLEY GUTTER REINFORCEMENT SHALL BE ADEQUATELY SUPPORTED BY BAR CHAIRS IN THE REQUIRED POSITION UNLESS APPROVED OTHERWISE BY THE ENGINEER.



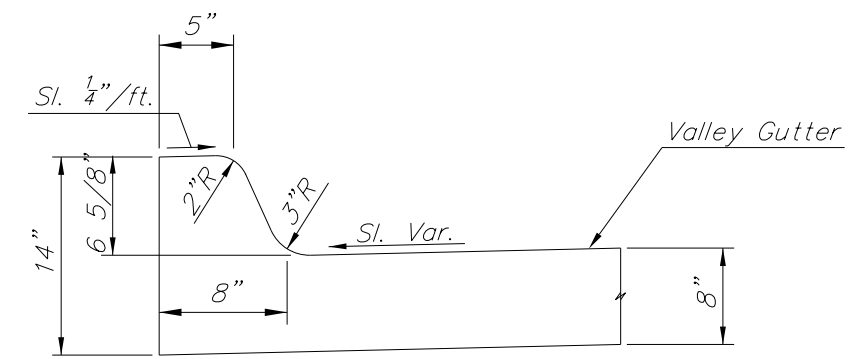
CONTRACTION JOINT DETAIL REINFORCED PAVEMENT (C.J.)



SECTION C-C



DETAIL B (ROLL-TYPE CURB)(3 5/8")



DETAIL C (STANDARD CURB)(6 5/8")

MONOLITHIC EDGE CURB



Plotted on: Monday, October 24, 2011 09:33 AM
 mbechtel
 Plot Queue: \\ovpww00\pl\TBWLP
 Pen Table: \\ovpww00\jobs\4809\Common\Highway\Library\lob\pen\CC-28x36.pen
 Design Filename: \\ovpww00\jobs\4809\toover\CD\Detail\Wichita\hr_valley-gut-det.dgn



VALLEY GUTTER DETAILS		
CITY ENGINEER JAMES L. ARMOUR, P.E., L.S.		
PROJECT NUMBER 472-84817 PHASE II	OCA NUMBER 770005	DATE 11/2011
CITY ENGINEER'S OFFICE CITY HALL - SEVENTH FLOOR 455 NORTH MAIN STREET WICHITA, KANSAS 67202-1620 (316) 268-4501		DESIGN DRAWN SHEET 28 of 93