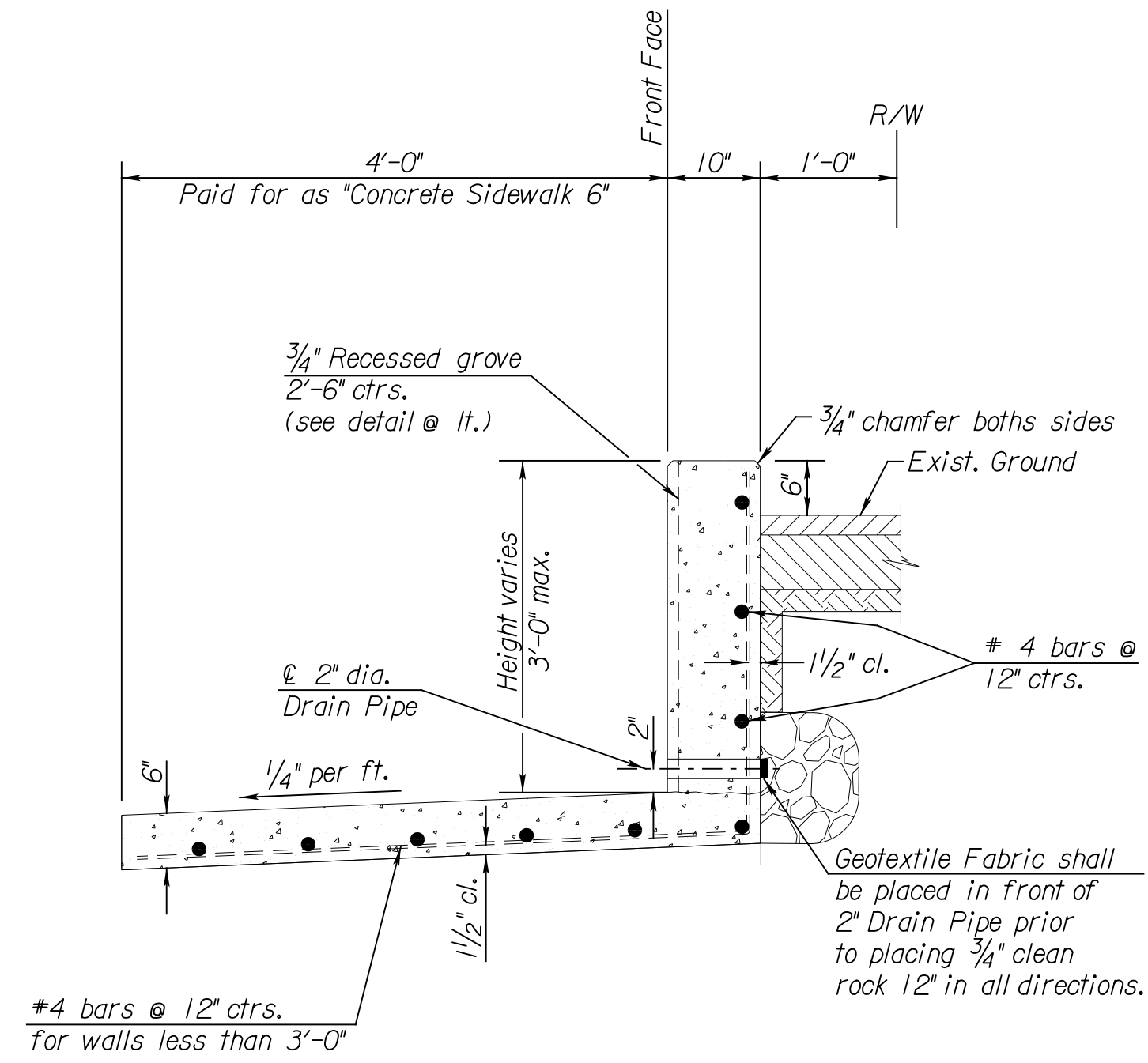


RECESSED GROVE DETAIL

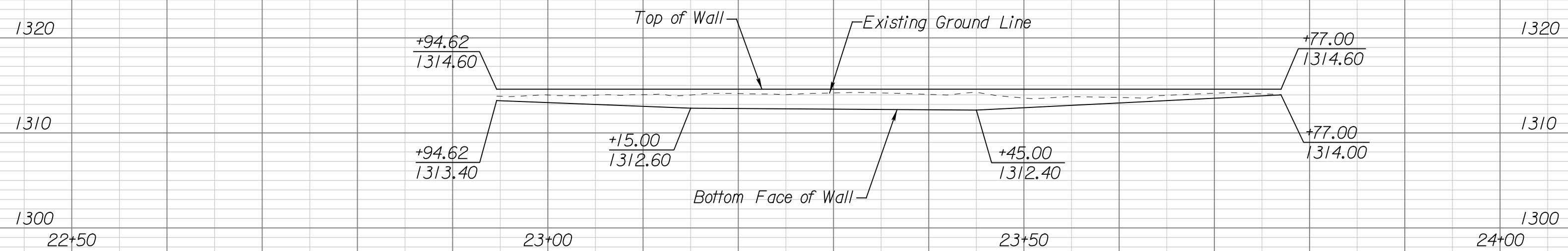


INTERGRAL SIDEWALK AND RETAINING WALL

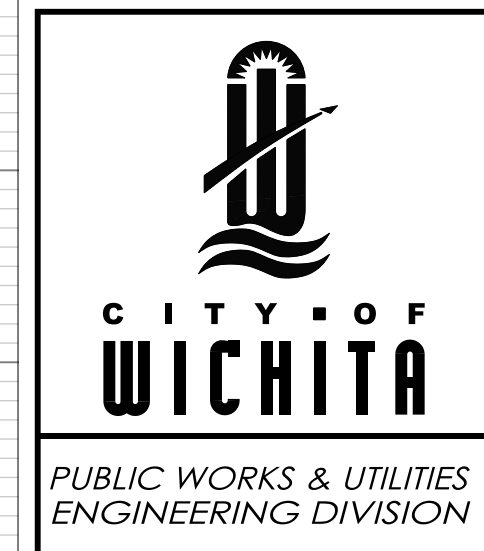
Notes:
Paid for as "Retaining Wall" and measured by the square foot of wall face.

All work and materials to install integral sidewalk and retaining wall as detailed shall be Subsidiary to "Retaining Wall."

2" Drain Pipe spacing to match sidewalk joint spacing.



Plotted on: Monday, October 24, 2011 09:13 AM
 Plot Queue: \\ovpww00\PLTBWLP
 Plot Scale: 10.000000:0.000000 Pen Tables: \\ovpww00\Jobs\4809\Common\Highway\Library\liblot\pen\CC-23x35.pen
 Design Filename: \\ovpww00\Jobs\4809\Hoover\CD\Detail\Wichita\W-Retaining-wall.dgn



RETAINING WALL PROFILE & DETAILS

CITY ENGINEER
JAMES L. ARMOUR, P.E., L.S.

PROJECT NUMBER 472-84817 PHASE II	OCA NUMBER 770005	DATE 11/2011
--------------------------------------	----------------------	-----------------

CITY ENGINEER'S OFFICE
 CITY HALL - SEVENTH FLOOR
 455 NORTH MAIN STREET
 WICHITA, KANSAS 67202-1620
 (316) 268-4501

DESIGN DRAWN SHEET
30 of 93

\\ovpww00\Jobs\4809\Hoover\CD\Detail\Wichita\W-Retaining-wall.dgn