

PROJECT NO.	YEAR	SHEET NO.	TOTAL SHEETS
472-84817 PHASE II	2011	34	93

PAVEMENT UNDERDRAIN SHALL BE INSTALLED ON ALL CURB INLETS.

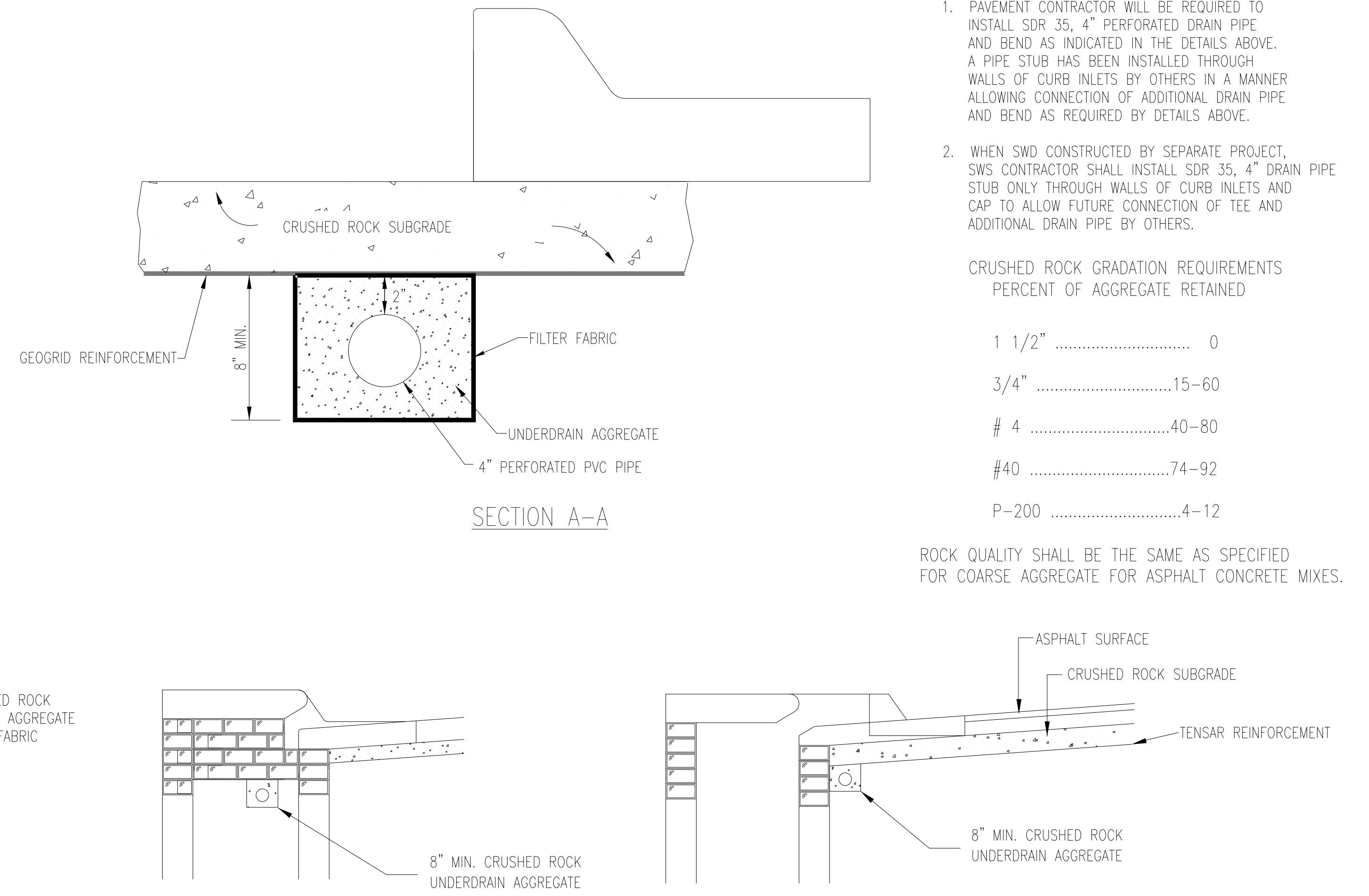
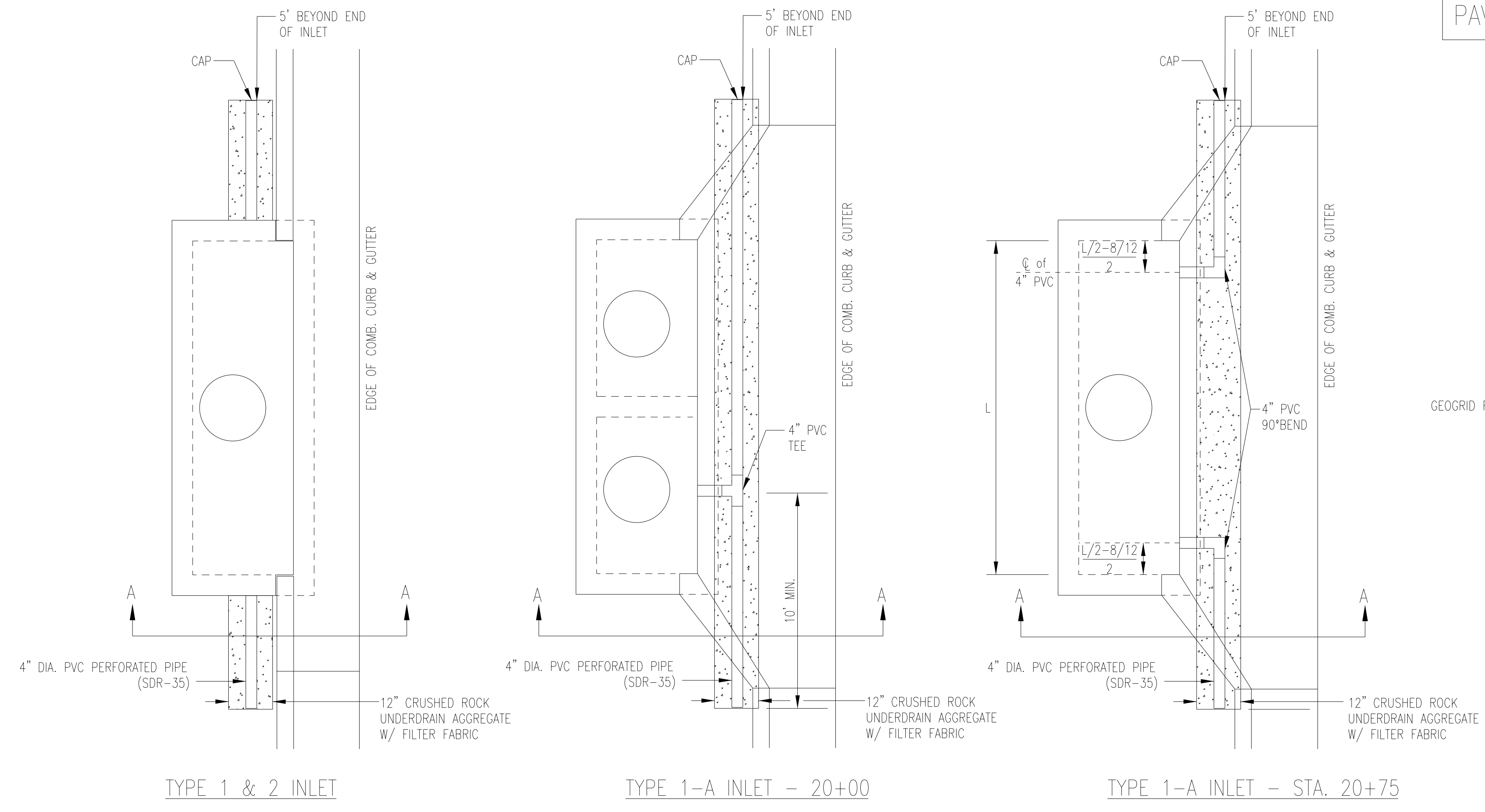
GENERAL NOTES

- PAVEMENT CONTRACTOR WILL BE REQUIRED TO INSTALL SDR 35, 4" PERFORATED DRAIN PIPE AND BEND AS INDICATED IN THE DETAILS ABOVE. A PIPE STUB HAS BEEN INSTALLED THROUGH WALLS OF CURB INLETS BY OTHERS IN A MANNER ALLOWING CONNECTION OF ADDITIONAL DRAIN PIPE AND BEND AS REQUIRED BY DETAILS ABOVE.
- WHEN SWD CONSTRUCTED BY SEPARATE PROJECT, SWS CONTRACTOR SHALL INSTALL SDR 35, 4" DRAIN PIPE STUB ONLY THROUGH WALLS OF CURB INLETS AND CAP TO ALLOW FUTURE CONNECTION OF TEE AND ADDITIONAL DRAIN PIPE BY OTHERS.

CRUSHED ROCK GRADATION REQUIREMENTS  
PERCENT OF AGGREGATE RETAINED

1 1/2"	0
3/4"	15-60
# 4	40-80
#40	74-92
P-200	4-12

ROCK QUALITY SHALL BE THE SAME AS SPECIFIED FOR COARSE AGGREGATE FOR ASPHALT CONCRETE MIXES.

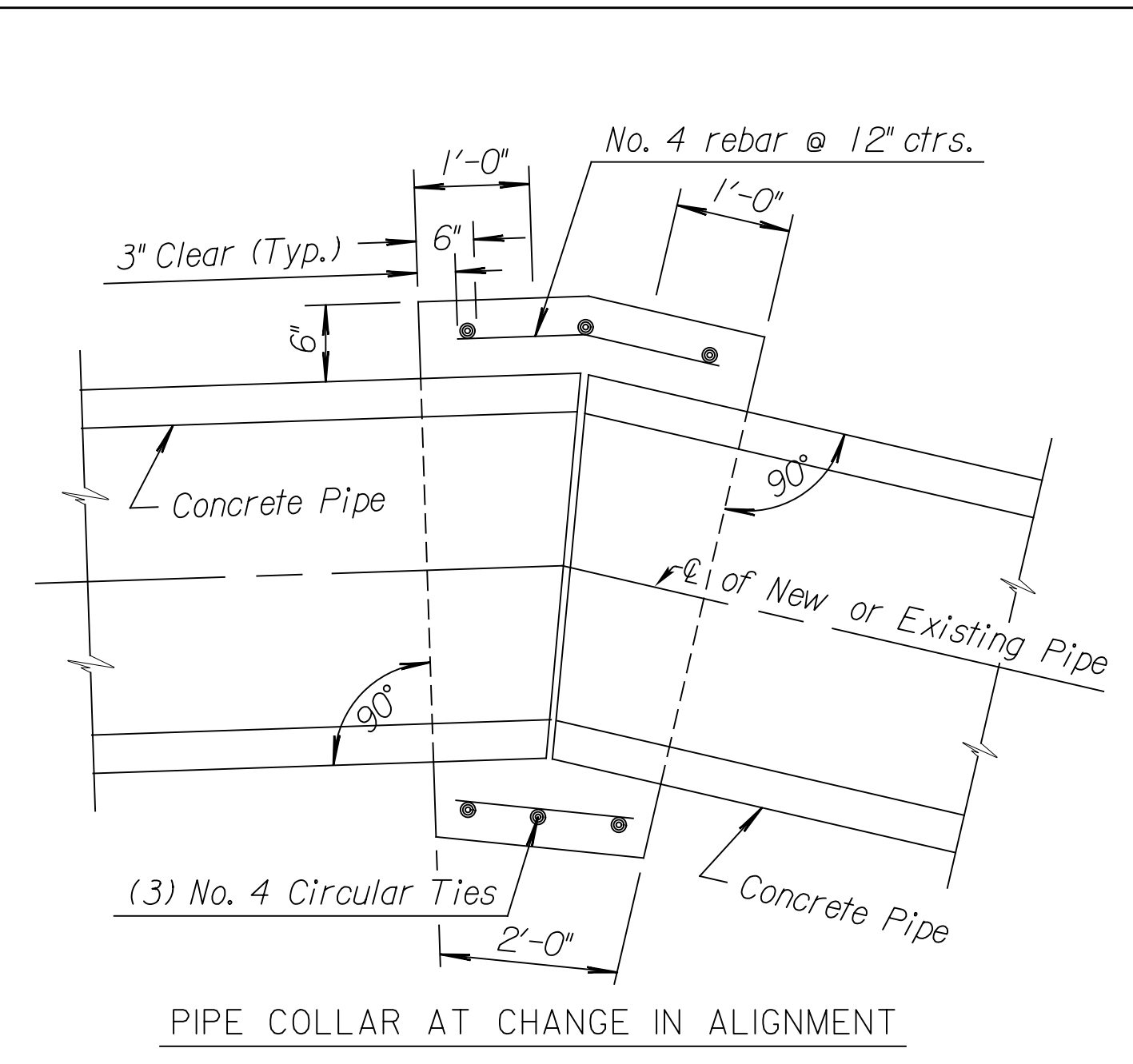


PAVEMENT UNDERDRAIN DETAIL

BID ITEM TO BE PROVIDED PER 4" PERFORATED UNDERDRAIN PIPE.

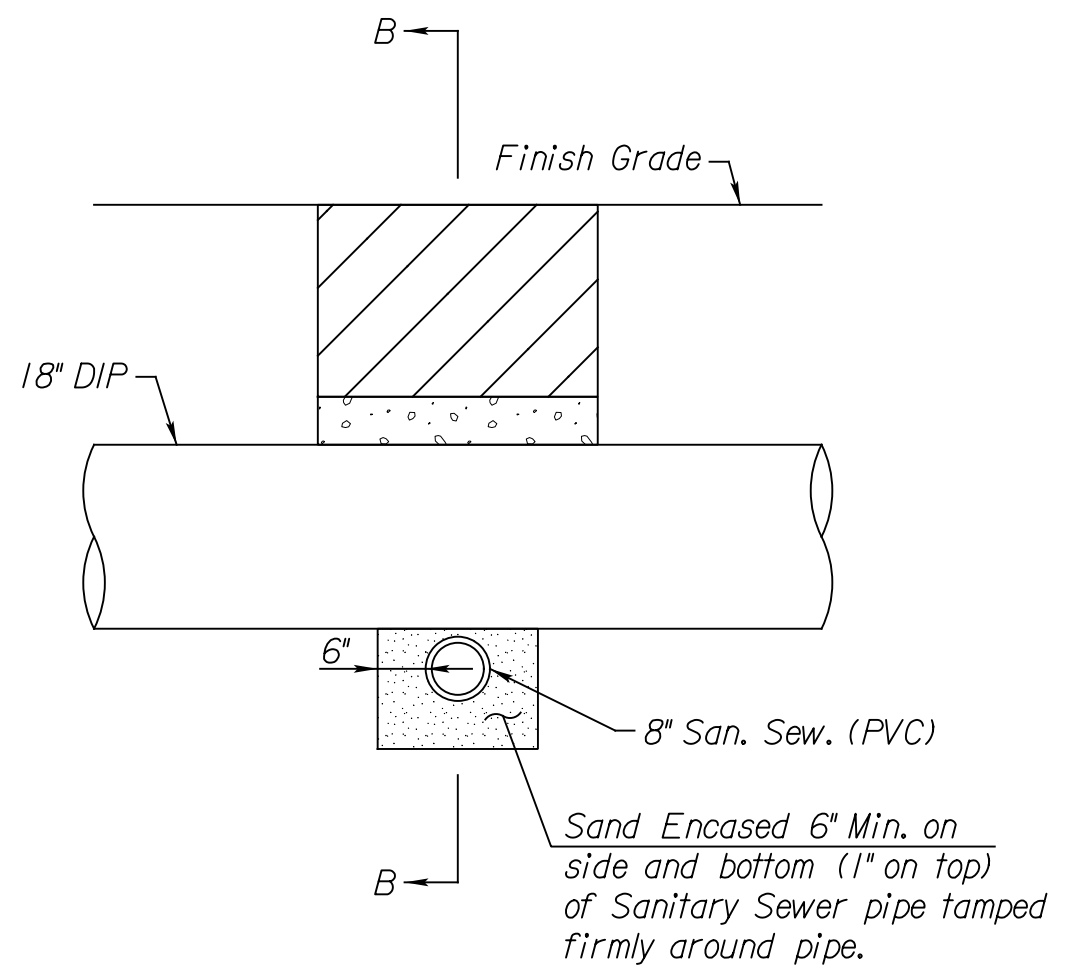
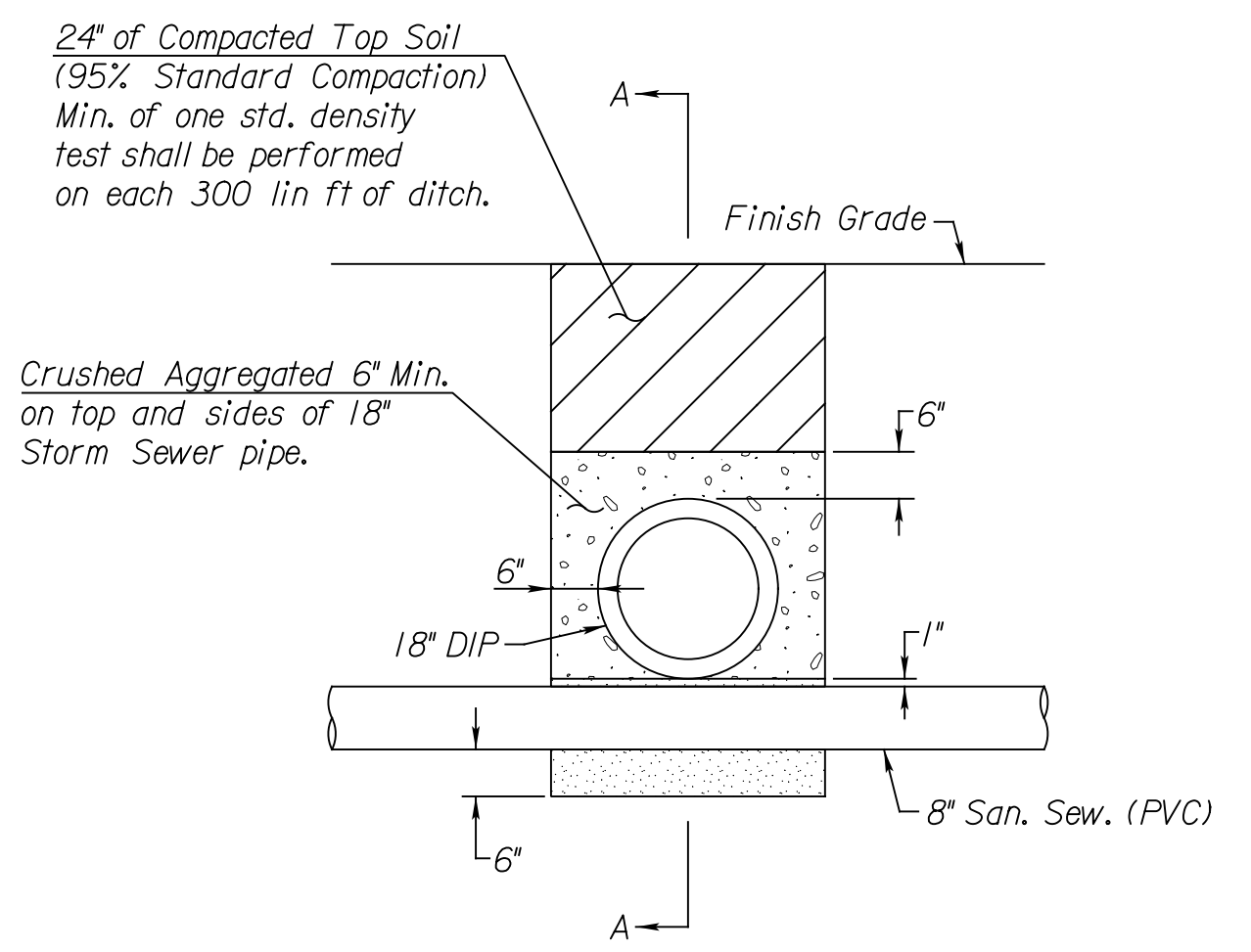
SECTION A-A

(MIN. 16 PERFORATIONS PER LIN. FT. @ 1/4" DIA.)  
PERFORATIONS TO BE ON BOTTOM HALF



General Notes:

- Pipe collar shall be used to join pipes of different diameters or materials or where change in alignment or grade exceeds that allowed for ordinary joints.
- All concrete shall be Concrete Grade 3.0 or the mix used in concrete pavement.
- All reinforcing steel shall be Grade 60 and shall have a minimum of 2" of cover.
- The diameter of the circular ties shall be the outside diameter of the larger pipe plus "6".
- All labor, materials and incidentals required to construct the pipe collar shall not be paid for directly but shall be Subsidiary to the individual pipe bid items.
- Pipe ends shall be trimmed such that the maximum distance between pipes at any point is 2".



SANITARY SEWER PIPE PROTECTION

Note: All labor, equipment, and materials to install Sanitary Sewer Pipe Protection shall be SUBSIDIARY to DIP pipe



MISCELLANEOUS DRAINAGE DETAILS		
CITY ENGINEER <b>JAMES L. ARMOUR, P.E., L.S.</b>		
PROJECT NUMBER 472-84817 PHASE II	OCA NUMBER 770005	DATE 11/2011
CITY ENGINEER'S OFFICE CITY HALL - SEVENTH FLOOR 455 NORTH MAIN STREET WICHITA, KANSAS 67202-1620 (316) 268-4501		DESIGN DRAWN SHEET <b>34 of 93</b>

Plotted on: Wednesday, November 16, 2011 11:31 AM  
mbechtel  
Plot Queue: \\svpwp001\pl\mbechtel  
Plot Scale: 16.000000,000000 Pen Tables: \\svpwp001\jobs\4809\Common\Highway\Library\liblo\pen\CC-22x35.pen  
Design Filename: \\svpwp001\jobs\4809\Wichita\CD\Detail\Wichita\Nrv\_pave-underdrain.dgn