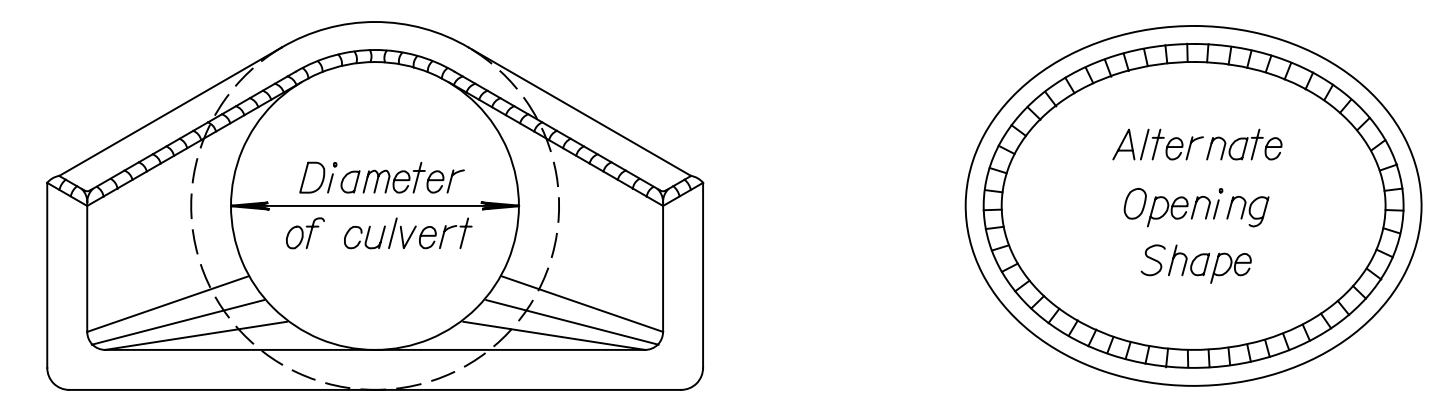
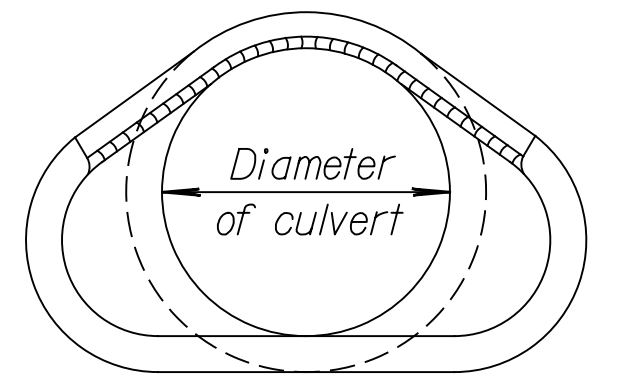


Note to Designer: KDOT Pipe Policy provides guidance in identifying the prohibited and/or restricted uses of CSP, ACSP, PEP, PVC, CAP & RCP. Provide end sections of the same type and coating as the pipe. Exceptions to this are noted in the Standard Specifications. Refer to the KDOT Design Manual, Volume I (Part C), Road Section, "Elements of Drainage & Culvert Design" for structural pipe design information which includes: corrugations, sizes, gauges, maximum/minimum fill heights and classes of pipe.

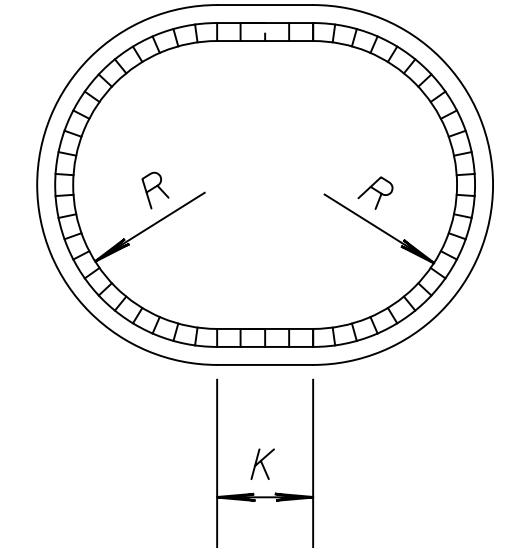
PROJECT NO.	YEAR	SHEET NO.	TOTAL SHEETS
472-84817 PHASE II	2011	40	93



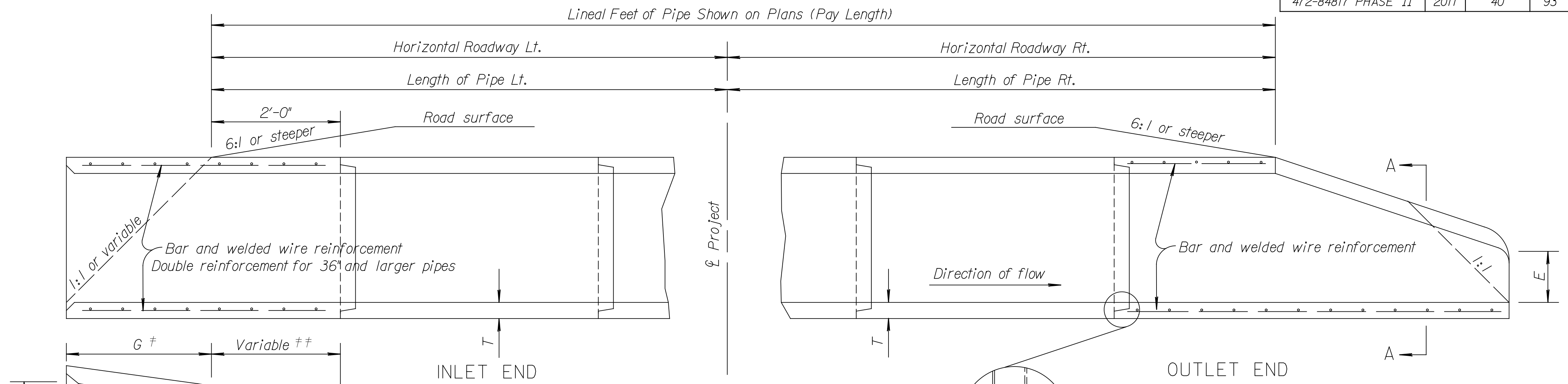
END ELEVATION (TYPE I)



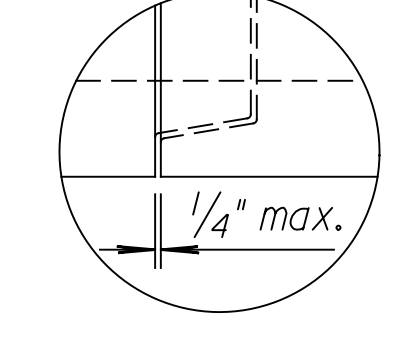
SECTION A-A  
Showing rounding of inside edge of end section.



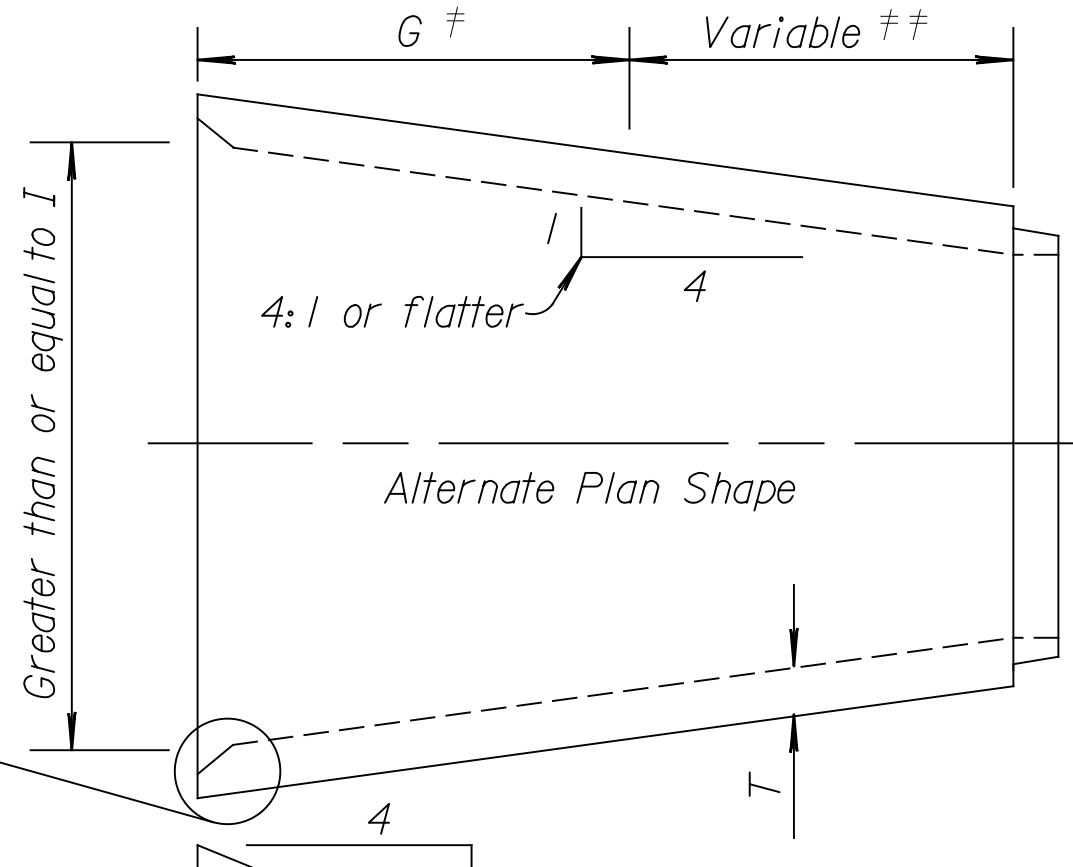
END ELEVATION (TYPE III)



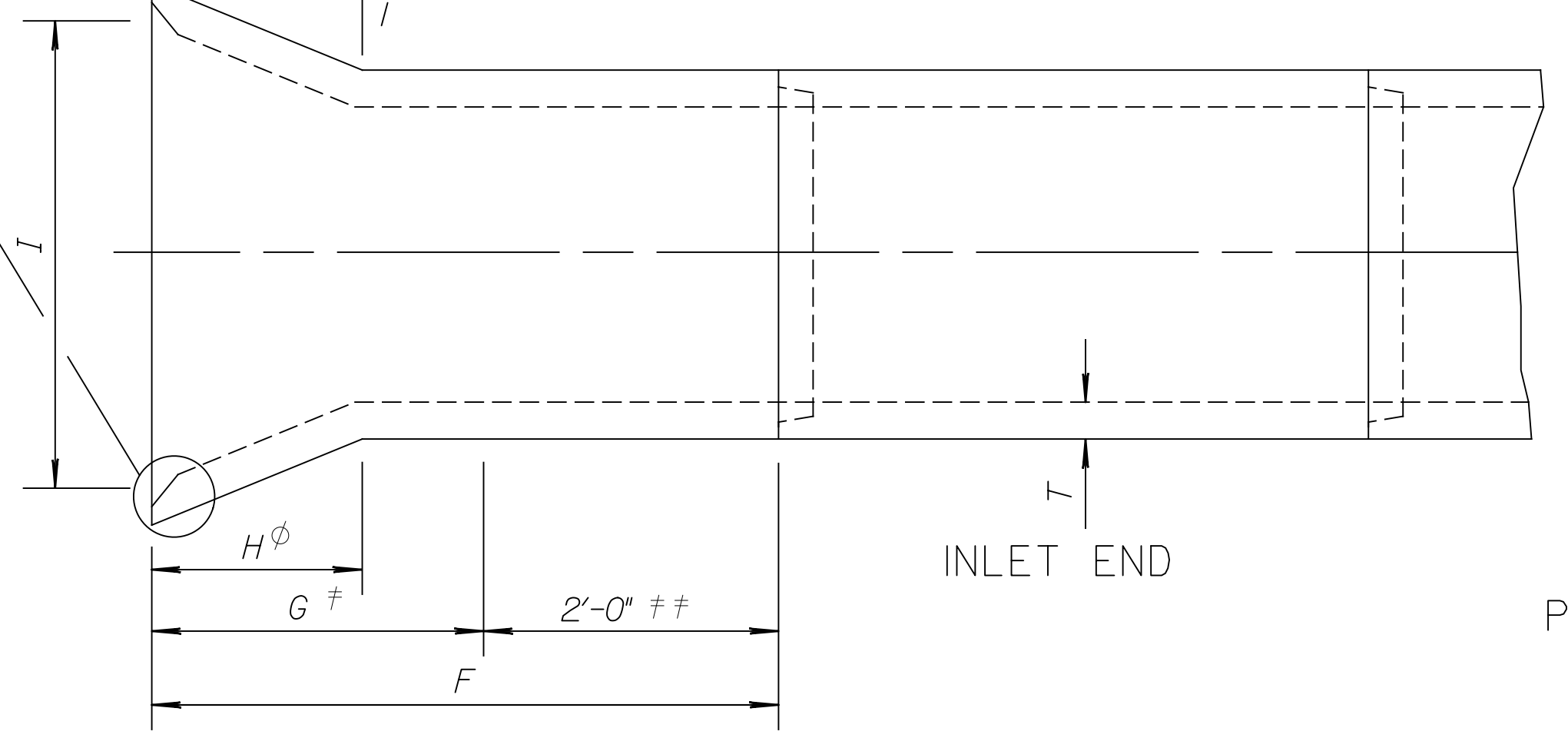
ELEVATION SECTION



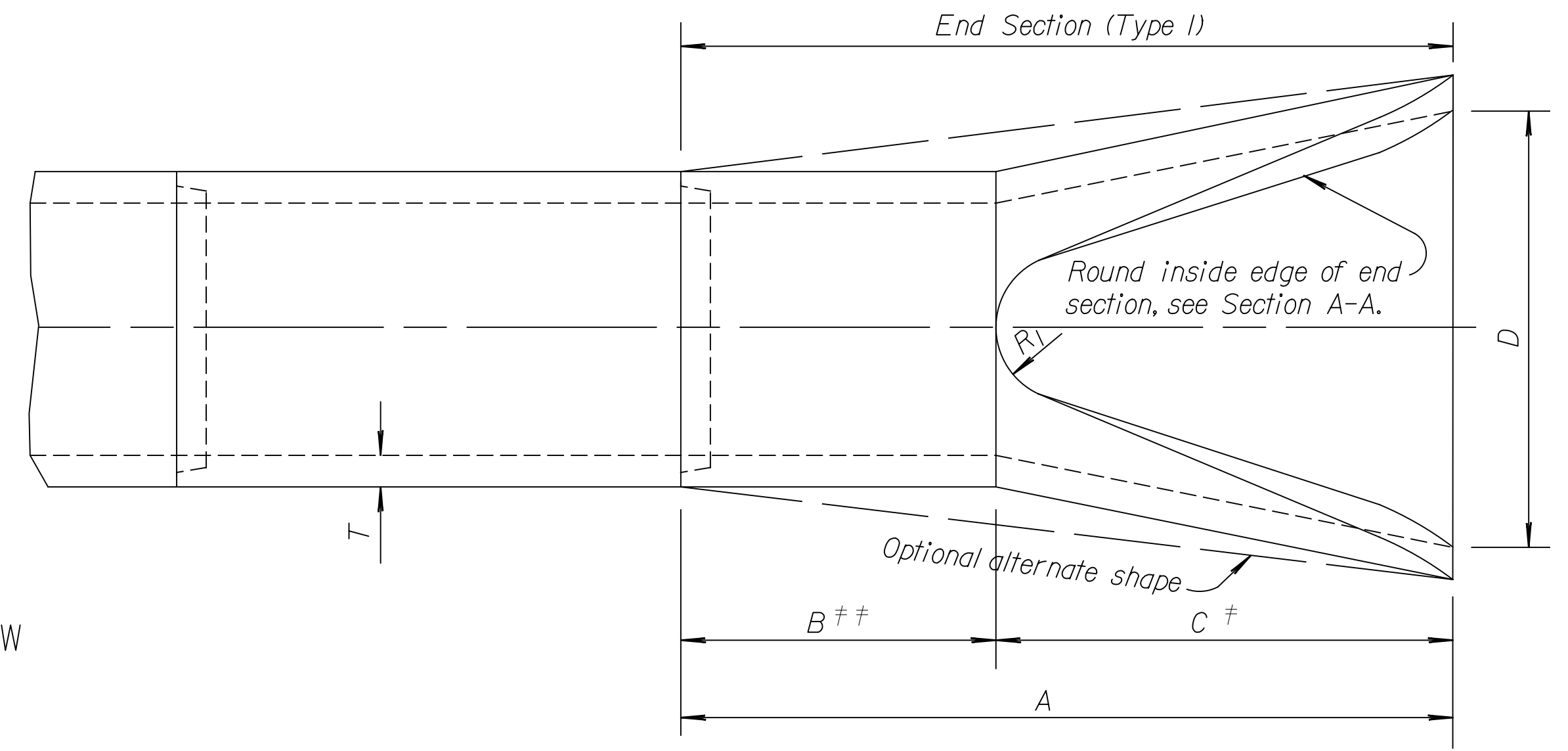
Note: There shall be no payment for gain in length due to joint fit tolerance.



INLET END



PLAN VIEW



OUTLET END

- φ Transition to round pipe.
- ‡ Paid for as separate item of End Section, except when structures shall bid as alternates. In that case End Sections shall be subsidiary to bid item. "Drainage Structure No. ".
- ‡‡ Included in pay length of pipe.
- \* Minimum waterway area is calculated at the inside of the bevel.

END SECTION (TYPE I) NOMINAL DIMENSIONS

Diam.	A	B‡	C‡	D	E	R <sub>1</sub>	Slope	T
12"	6'-0 7/8"	4'-0 7/8"	2'-0"	2'-0"	4"	9	3:1	2"
15"	6'-1"	3'-10"	2'-3"	2'-6"	6"	11	3:1	2 1/4"
18"	6'-1"	3'-10"	2'-3"	3'-0"	9"	12	3:1	2 1/2"
24"	6'-1 1/2"	2'-6"	3'-7 1/2"	4'-0"	9 1/2"	14	3:1	3"
30"	6'-1 3/4"	1'-7 3/4"	4'-6"	5'-0"	1'-0"	15	3:1	3 1/2"
36"	8'-1 3/4"	2'-10 3/4"	5'-3"	6'-0"	1'-3"	20	3:1	4"
42"	8'-2"	2'-11"	5'-3"	6'-6"	1'-9"	22	3:1	4 1/2"
48"	8'-2"	2'-2"	6'-0"	7'-0"	2'-0"	22	3:1	5"
54"	8'-2 1/4"	2'-9 1/4"	5'-5"	7'-6"	2'-3"	24	2.4 :1	5 1/2"
60"	8'-3"	3'-3"	5'-0"	8'-0"	2'-11"	24	2:1	6"
72"	8'-3"	1'-9"	6'-6"	9'-0"	3'-0"	24	1.86 :1	7"
84"	9'-3 1/2"	1'-9"	7'-6 1/2"	10'-0"	3'-0"	24	1.6 :1	8"

SIDE TAPERED INLET SECTION (TYPE III)-NOMINAL DIMENSIONS

Diam.	Min. W.W.* Area Sq.Ft.	F	G	H	I	J	K	R	T
24"	4.5	4'-3"	2'-3"	1'-5 1/8"	2'-8"	1 1/2"	8"	1'-0"	3"
30"	7.0	4'-9 1/2"	2'-9 1/2"	1'-9 1/2"	3'-4"	2"	10"	1'-3"	3 1/2"
36"	10.1	5'-4"	3'-4"	2'-1 1/2"	4'-0"	2"	1'-0"	1'-6"	4"
42"	13.7	5'-10 1/2"	3'-10 1/2"	2'-5 7/8"	4'-8"	2 1/2"	1'-2"	1'-9"	4 1/2"
48"	17.9	6'-5"	4'-5"	2'-10 1/8"	5'-4"	3"	1'-4"	2'-0"	5"
54"	22.7	6'-11 1/2"	4'-11 1/2"	3'-2 1/2"	6'-0"	3 1/2"	1'-6"	2'-3"	5 1/2"
60"	28.0	7'-6"	5'-6"	3'-6 7/8"	6'-8"	4"	1'-8"	2'-6"	6"
72"	40.3	8'-7"	6'-7"	4'-3 5/8"	8'-0"	5"	2'-0"	3'-0"	7"
84"	54.8	9'-8"	7'-8"	5'-0 3/8"	9'-4"	6"	2'-4"	3'-6"	8"

Dimensions for alternate shapes shall be equal to or greater than those shown in the table, unless otherwise shown.

NO.	DATE	REVISIONS	BY	APP'D
2	4-18-08	Added ref. to KDOT Pipe Policy	S.W.K	J.O.B
1	4-05-05	Revised reinforcement callout	S.W.K	J.O.B

KANSAS DEPARTMENT OF TRANSPORTATION  
**CONCRETE END SECTIONS FOR CONCRETE PIPES**  
**TYPE I & SIDE TAPERED INLET SECTION (TYPE III)**  
 RD662

DESIGNED	6-27-08	APP'D	James O. Brewer
DESIGN CK.	DETAIL CK.	QUANTITIES	QUAN. CK.
		TRACED	TRACE CK.
			King

Plotted on: Monday October 24, 2011 09:34 AM  
 mbechtel  
 Plot Queue: \\ovpwp001\rl\TBLP  
 Pen Table: \\ovpwp001\jobs\4891\kover\CD\Detail\KDOT\Nvr\_r662.dgn  
 Plot Scale: 1:000000.000000  
 Design Filename: \\ovpwp001\jobs\4891\kover\CD\Detail\KDOT\Nvr\_r662.dgn

\\ovpwp001\jobs\4891\kover\CD\Detail\KDOT\Nvr\_r662.dgn