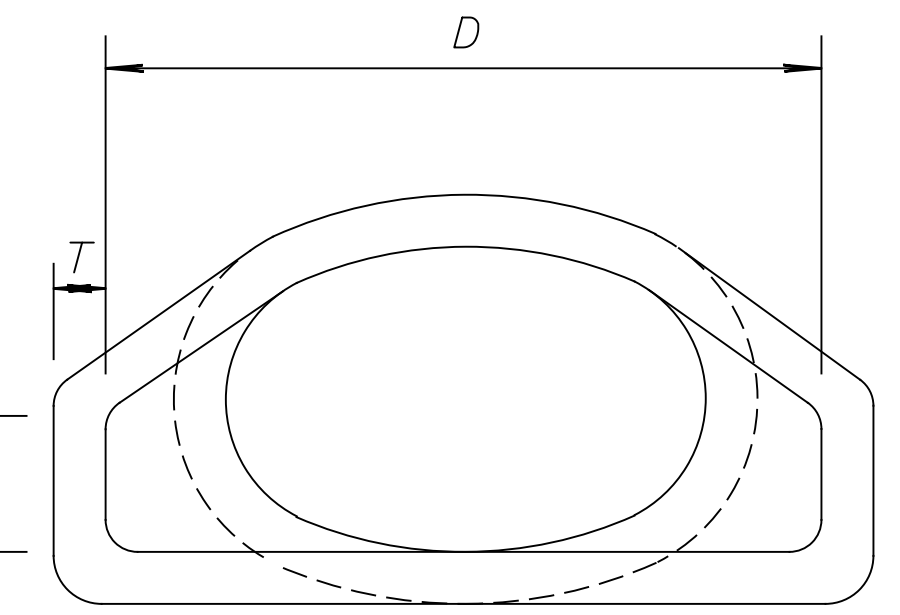
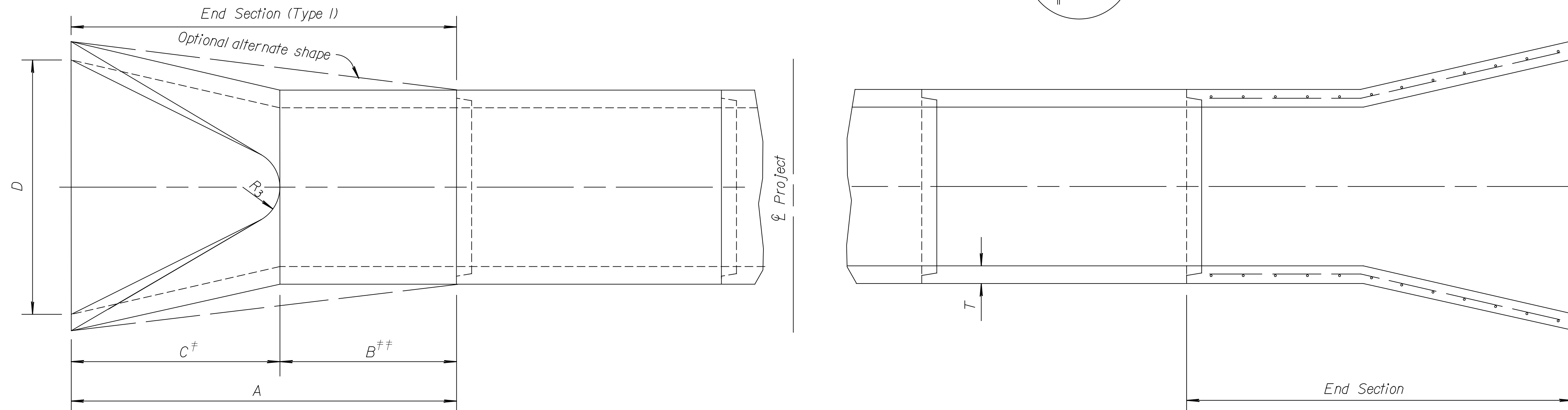


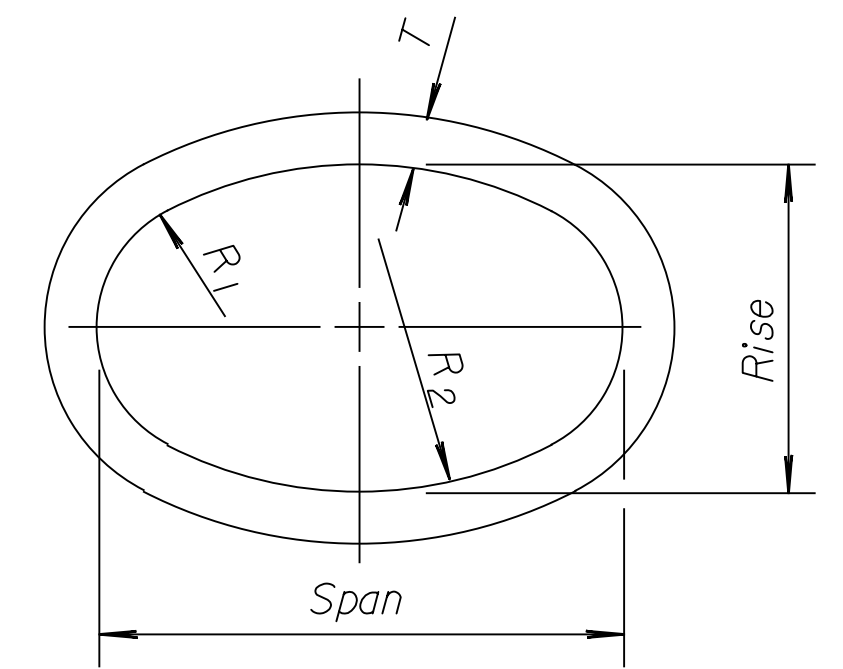
ELEVATION AND SECTION



FLARED END SECTION ELEVATION



PLAN AND SECTION



END ELEVATION

END SECTION (TYPE I) NOMINAL DIMENSIONS												
Bid Designation Sq. Ft.	Min. W.W. Area Sq. Ft.	Span	Rise	Overall Length A	Barrel Length B #	C #	D	E	R ₁	R ₂	R ₃	T
1.0 or 1.5	1.8	23"	14"	6'-0"	3'-9"	2'-3"	3'-0"	8"	6"	20"	6"	2 3/4"
2.0, 2.5 or 3.0	3.3	30"	19"	6'-0"	2'-9"	3'-3"	4'-0"	8 1/2"	8 1/4"	26 1/4"	7"	3 1/4"
4.0	4.1	34"	22"	6'-0"	2'-2"	3'-10"	4'-6"	9"	9 1/4"	29 17/32"	8"	3 1/2"
5.0	5.1	38"	24"	6'-0"	1'-6"	4'-6"	5'-0"	9 1/2"	10 1/4"	32 3/4"	9"	3 3/4"
6.0	6.3	42"	27"	6'-0"	1'-3"	4'-9"	5'-6"	10 3/8"	11 7/16"	36 3/16"	10 1/2"	3 3/4"
7.0	7.4	45"	29"	8'-0"	3'-0"	5'-0"	6'-0"	11 1/4"	12 1/4"	39 1/4"	12"	4 1/2"
8.5	8.8	49"	32"	8'-0"	3'-0"	5'-0"	6'-3"	12"	13 3/16"	42 21/32"	12 1/2"	4 3/4"
10.0	10.2	53"	34"	8'-0"	3'-0"	5'-0"	6'-6"	15 3/4"	14 3/4"	46"	13"	5"
11.0 or 12.5	12.9	60"	38"	8'-0"	3'-0"	5'-0"	7'-0"	21"	16 1/2"	51 3/4"	14"	5 1/2"
14.0 or 16.5	16.6	68"	43"	8'-0"	3'-0"	5'-0"	7'-6"	25 1/2"	18 21/32"	58 3/32"	16"	6"

Paid for as separate item of "End Sections".
 #† Included in pay length of pipe.

Design of end section shall conform to standard reinforced concrete horizontal elliptical pipe. Slight variations in the dimensions specified will be allowed.

NO.	DATE	REVISIONS	BY	APP'D
3	4-18-08	Added ref. to KDOT Pipe Policy	S.W.K.	J.O.B.
2	4-6-05	Revised reinforcement callout	S.W.K.	J.O.B.
1	6-16-95	Revised table & labeling	R.J.S.	J.O.B.

KANSAS DEPARTMENT OF TRANSPORTATION

CONCRETE END SECTION FOR REINFORCED CONCRETE HORIZONTAL ELLIPTICAL PIPE TYPE I
RD663

DESIGNED	6-27-08	APP'D	Jame O. Brewer
DESIGN CK.	DETAIL CK.	QUAN. CK.	TRACE CK. King

Note to Designer: KDOT Pipe Policy provides guidance in identifying the prohibited and/or restricted uses of CSP, ACSP, PEP, PVC, CAP & RCP. Provide end sections of the same type and coating as the pipe. Exceptions to this are noted in the Standard Specifications. Refer to the KDOT Design Manual, Volume I (Part C), Road Section, Elements of Drainage & Culvert Design for structural pipe design information which includes: corrugations, sizes, gauges, maximum/minimum fill heights and classes of pipe.

Plotted on: Monday October 24, 2011 09:34 AM
 Plot Queue: \\ovpwp001\vr\TBWLP
 mbechtel
 Plot Scale: 1:000000.000000 Pen Table: \\ovpwp001\jobs\4809\Common\Highway\Library\bio\pen\cc-28x36.pen
 Design Filename: \\ovpwp001\jobs\4809\Hoover\CD\Detail\KDOT\Hwr-rd663.dgn

\\ovpwp001\jobs\4809\Hoover\CD\Detail\KDOT\Hwr-rd663.dgn