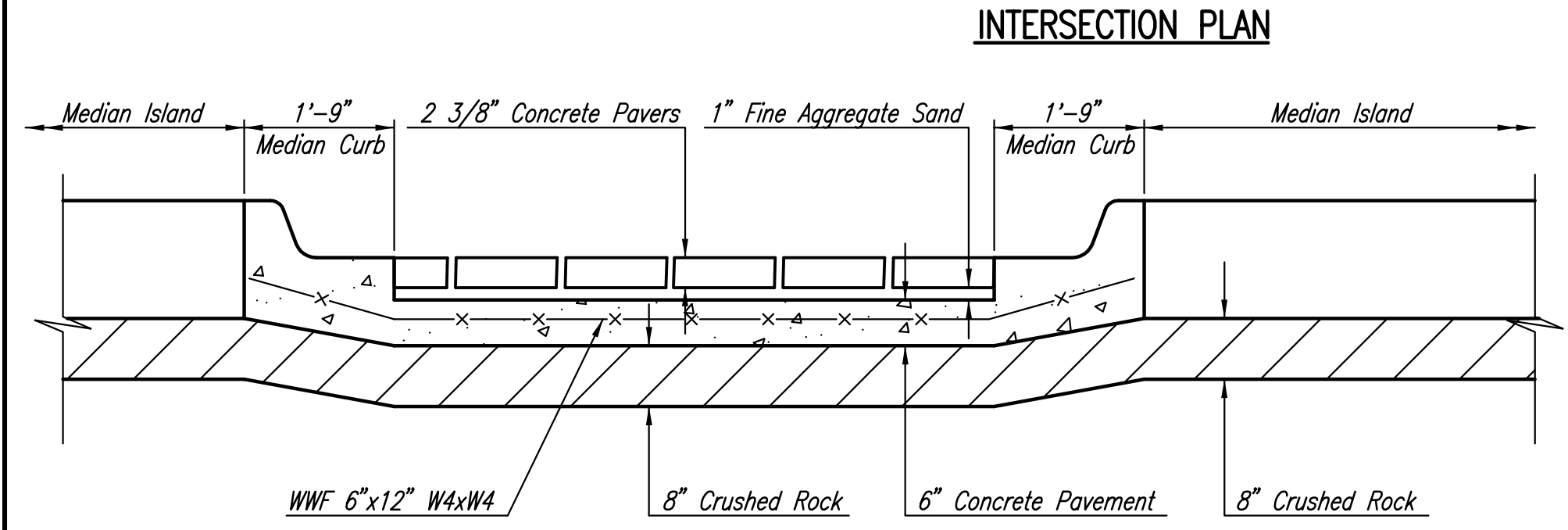
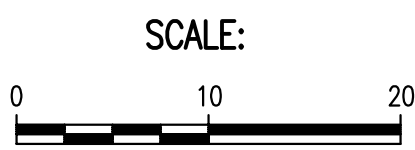
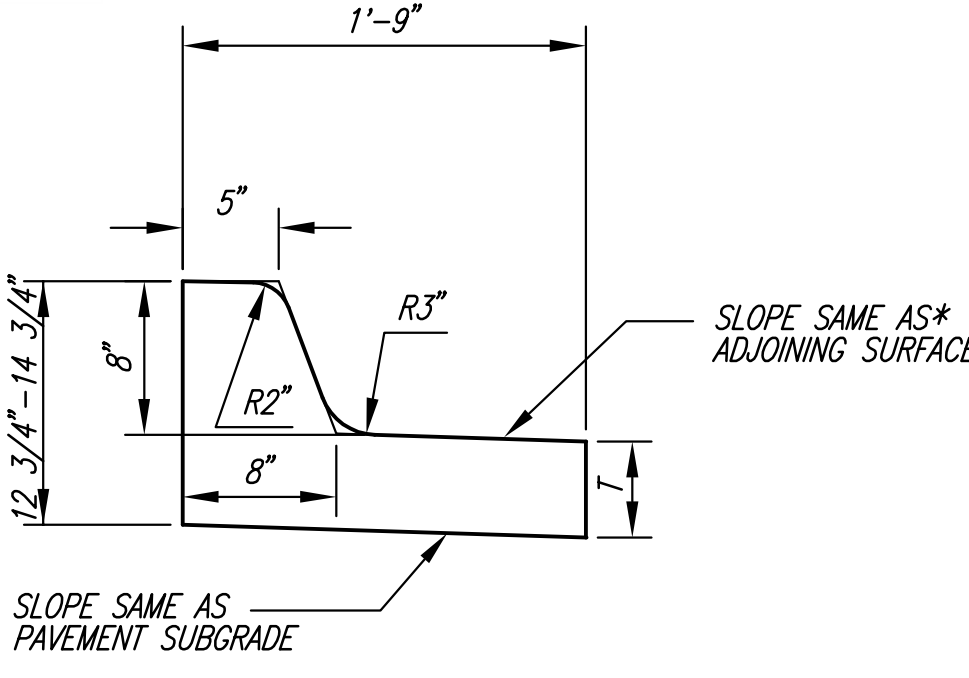


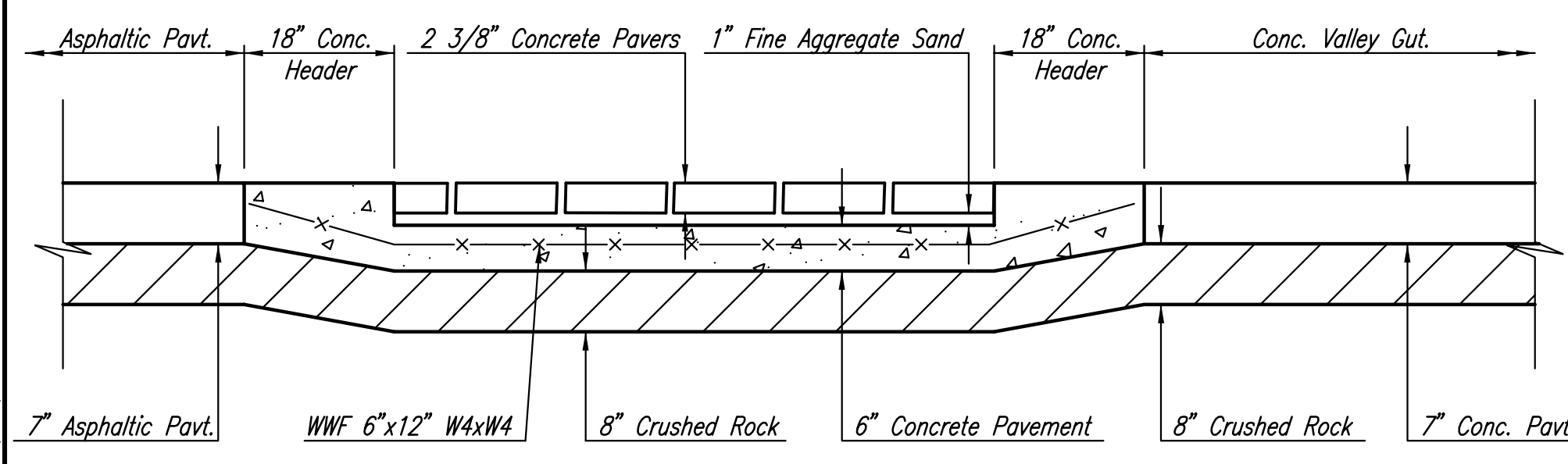
Stamp Pattern: Ashlar Slate
 Integral Color: Rustic Brown
 Color Release: Dark Grey
 (Verify with Owner)



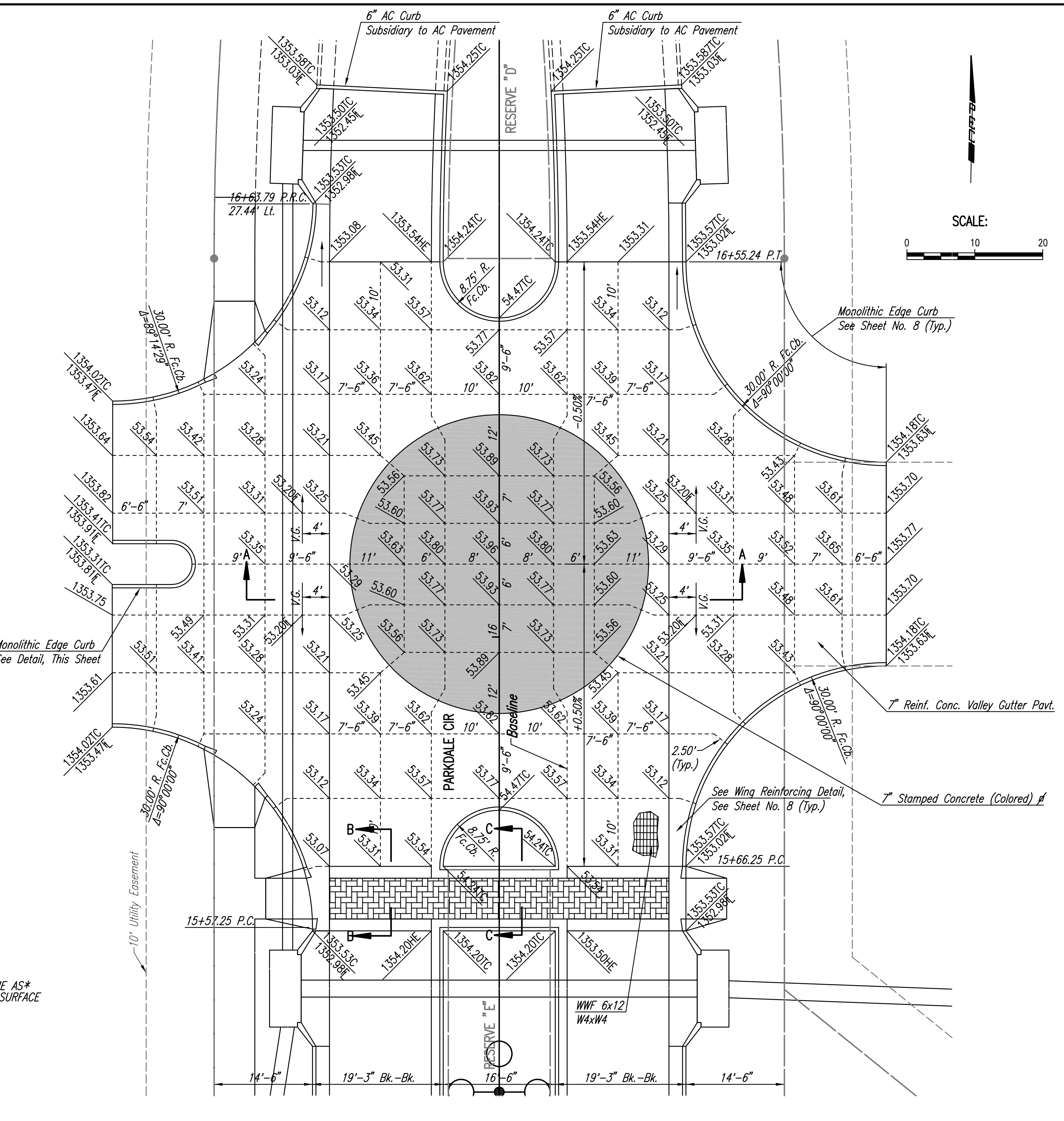
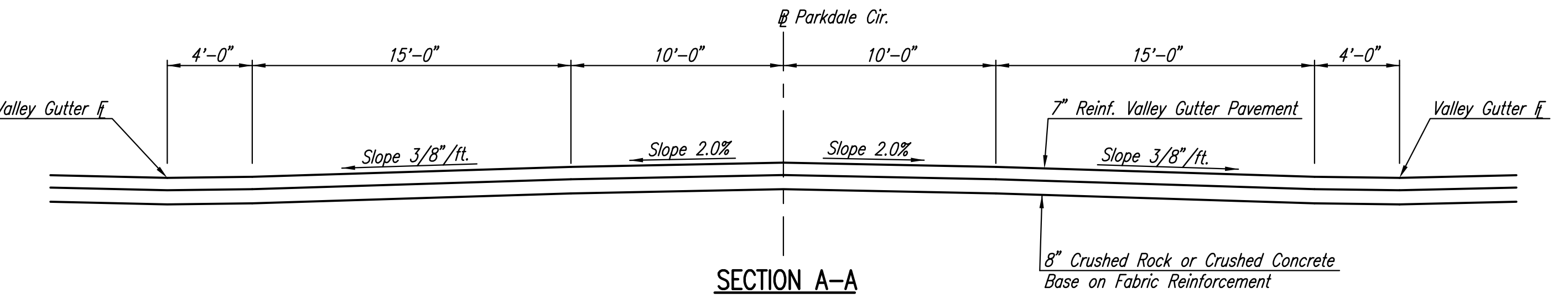
SECTION C-C THRU CROSS WALK
 CROSS WALK DETAILS



SECTION A-A
 MEDIAN MONOLITHIC EDGE CURB
 (Required for Concrete Pavement)



SECTION B-B THRU CROSS WALK
 CROSS WALK DETAILS



See Sheet No. 8 for Joint details

Sowed 12-21-2012 5:32:27 PM by BJS
 Plot Scale 1:10 12-21-2012 5:42:35 PM by BILL J. SEASON
 G:\2011\1114\000\1114-000-CBC-INTERSECTION DITLS

No.	Revision	By	Date
NEWMARKET OFFICE 2ND PAVING AND INCIDENTAL DRAINAGE IMPROVEMENTS INTERSECTION PLANS GARY JANZEN, P.E. - CITY ENGINEER CITY OF WICHITA PROJ. NO. 472-84990 PROFESSIONAL ENGINEERING CONSULTANTS, P.A. 303 SOUTH TOPEKA WICHITA, KS 67202 316-262-2691 www.pec1.com			
Designed by	BMM, JAG	Job No.	35-1114-000
Drawn by	BJS	Date	July 2011