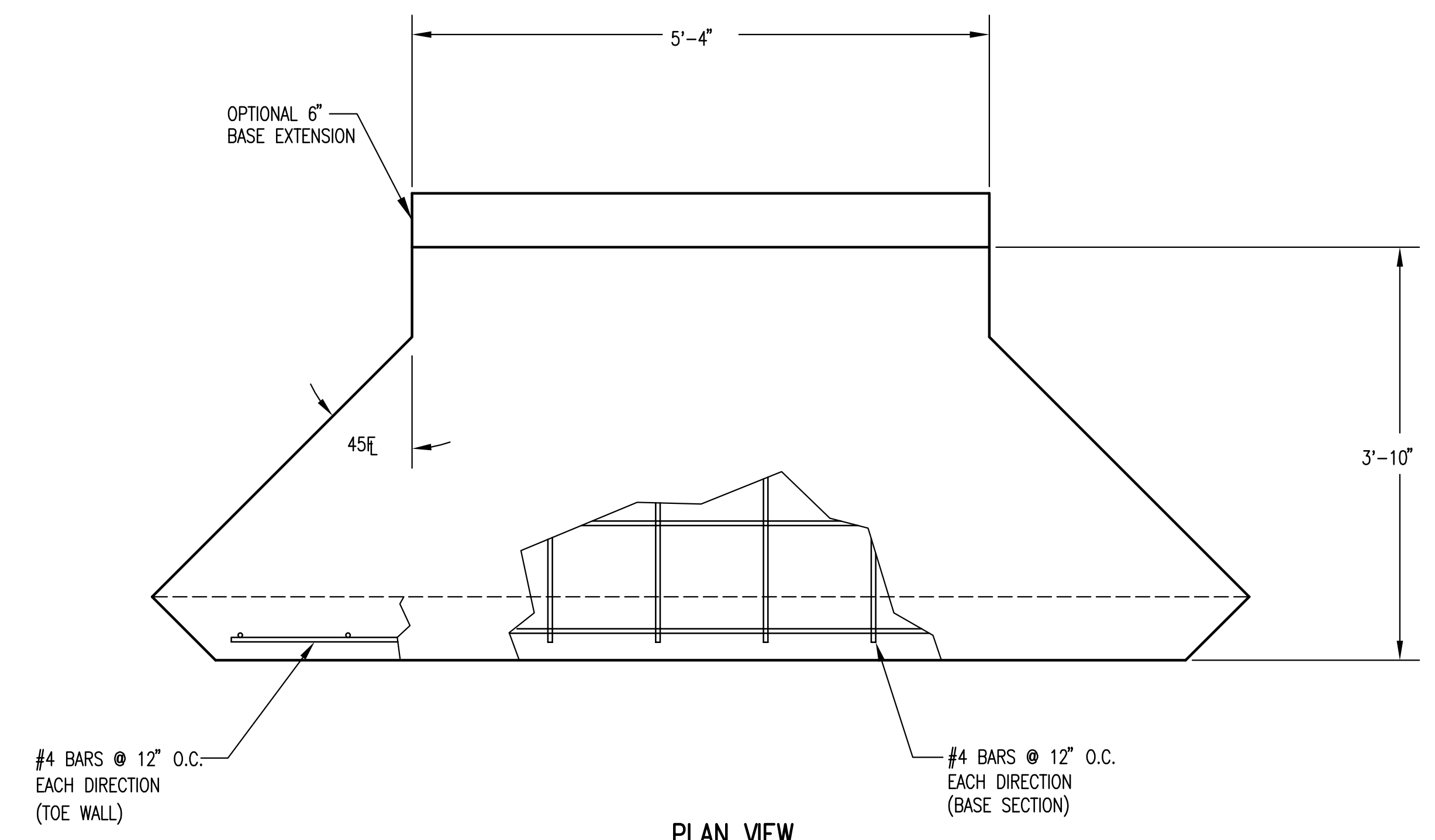
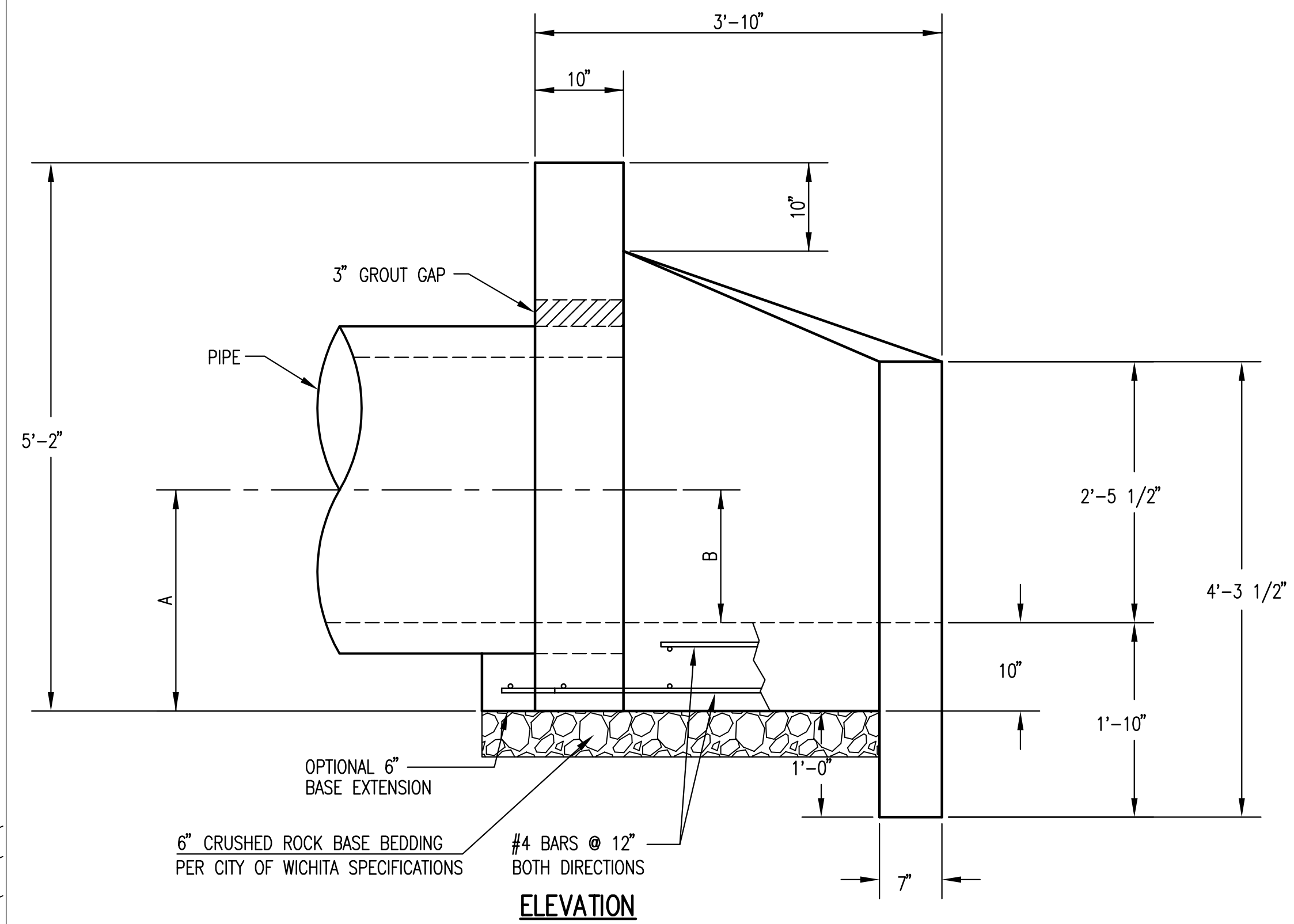


PLAN VIEW

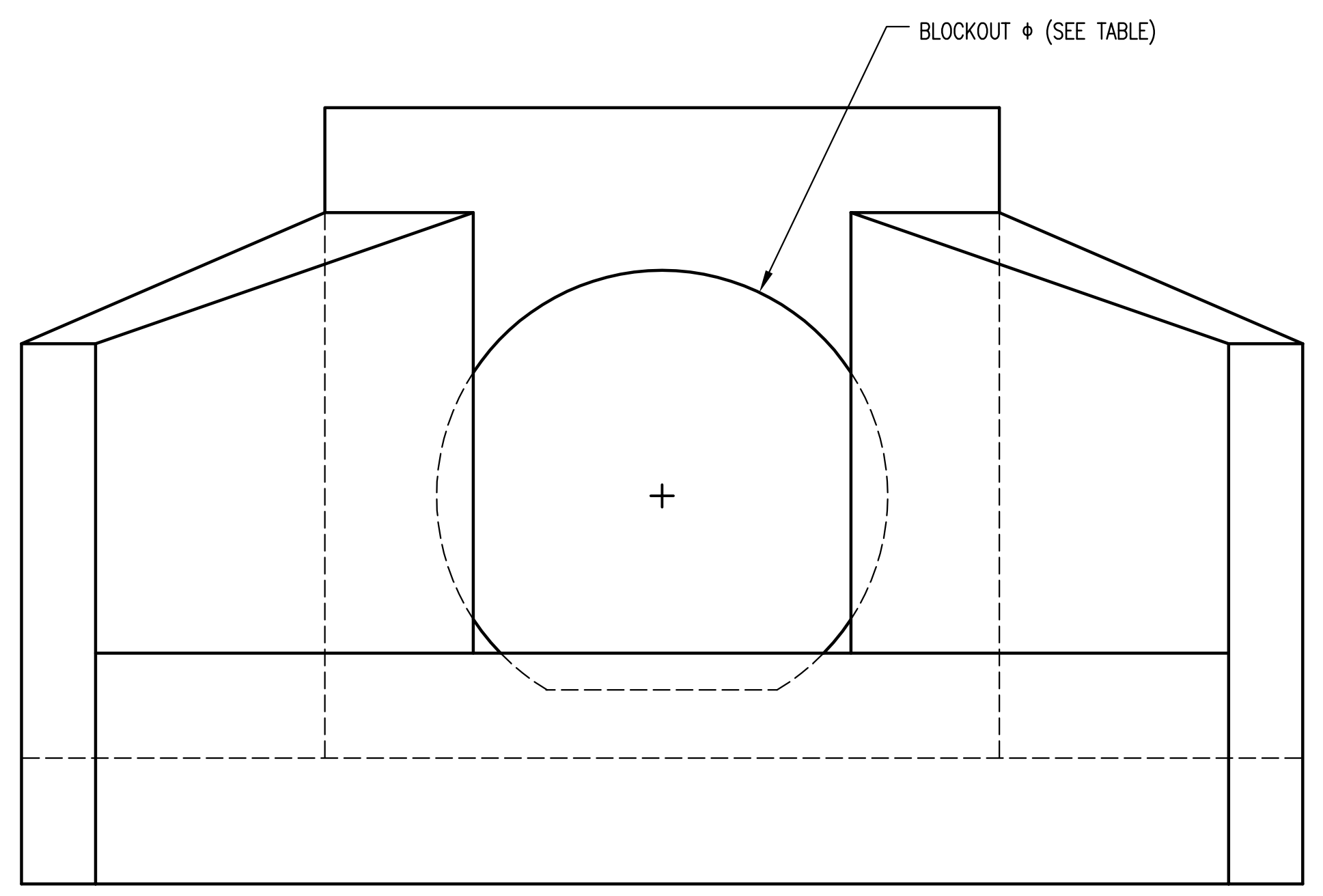


PLAN VIEW
BASE

PIPE ϕ	A	B	BLOCKOUT ϕ
30"	2'-1"	1'-3"	3'-7"
36"	2'-4"	1'-6"	4'-2"



ELEVATION



FRONT VIEW

HEADWALLS, AS SHOWN, WILL NOT SUPPORT FLAP GATE.

HEADWALL DETAILS FOR 30" PIPE		
CITY ENGINEER GARY JANZEN, P.E.		
PROJECT NUMBER 472-84990	OCA NUMBER 766288	DATE 11/2010
CITY ENGINEER'S OFFICE CITY HALL - SEVENTH FLOOR 455 NORTH MAIN STREET WICHITA, KANSAS 67202-1620 (316) 268-4501		DESIGN DRAWN SHEET 19 of 31

Sheet 12-20-2010 1:35:29 PM by: BJS
 Plot Scale: 1" = 12'-0" 11/11/10 11:14:00-19C-SW-403-Headwall_30_Details