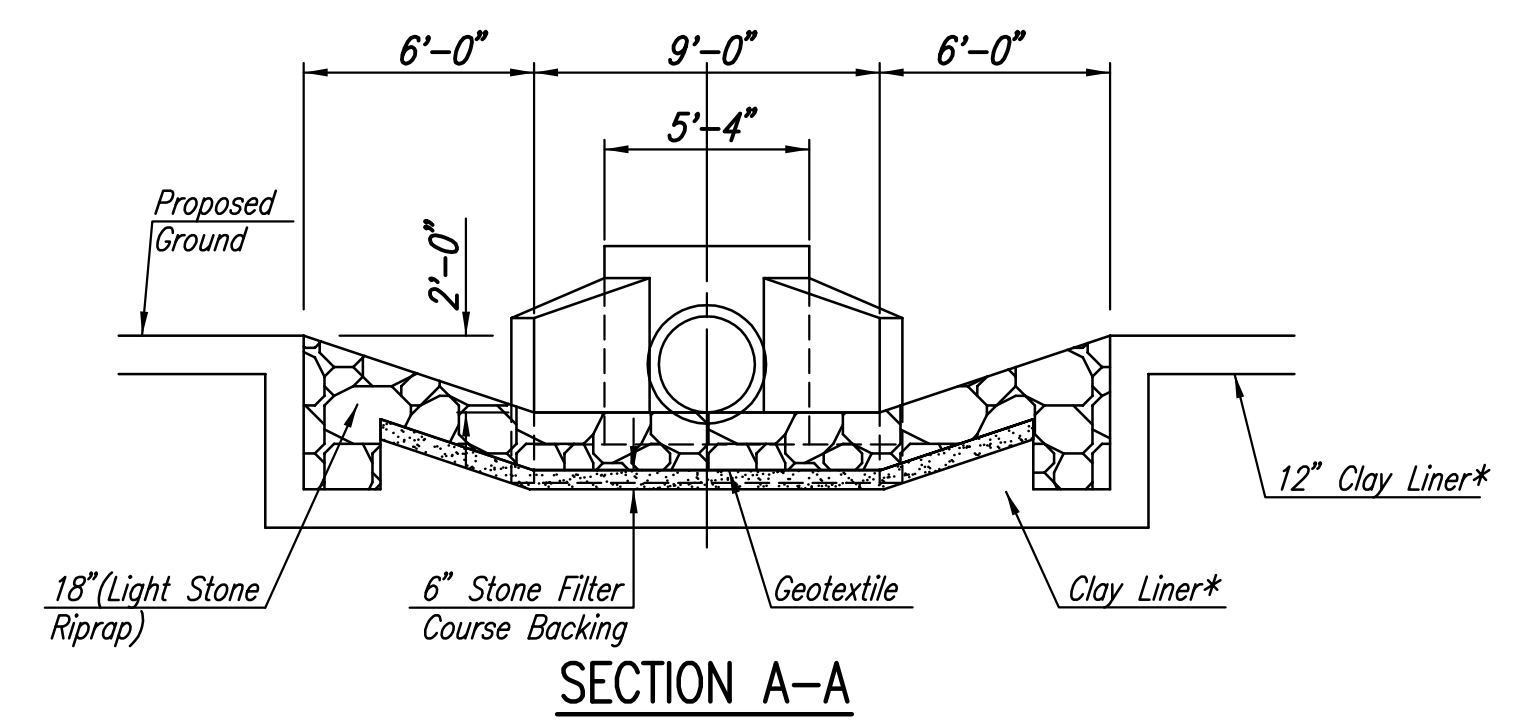


EROSION CONTROL MAT

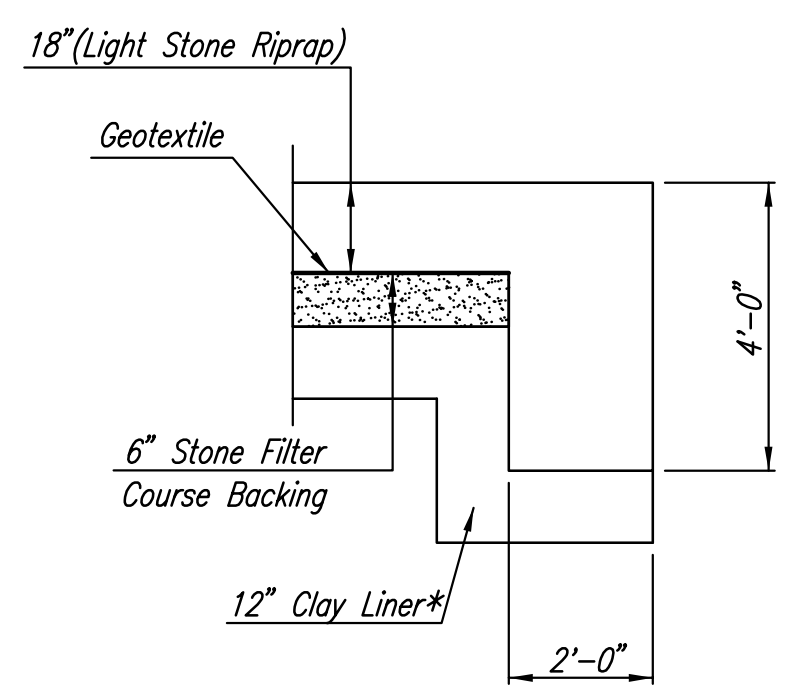
 LIGHT STONE RIPRAP (18")

RIPRAP PLAN
(SWS Line No. 1)

SIZE REQUIREMENTS FOR ROCK RIPRAP							
PERCENT HEAVIER THAN:							
	1/4 TON	250 LBS.	200 LBS.	180 LBS.	60 LBS.	10 LBS.	5 LBS.
HEAVY	0%		50%				
LIGHT		0%		5-15%	50-70%	85-100%	90%



SECTION A-A



TYPICAL SECTION THRU TOEWALL
NO SCALE

- NOTES**
- ALL RIPRAP FOR THIS PROJECT SHALL BE NATURAL STONE. NEITHER BROKEN CONCRETE, FABRIC ENVELOPE, NOR PREMIXED DRY PACKAGED CONCRETE BAG ALTERNATES WILL BE ALLOWED.
 - TOEWALLS SHALL BE INSTALLED ALONG ALL EDGES OF STONE RIPRAP OR AS SHOWN ON PLANS.
 - GROUTING OF THE SURFACE OF THE RIPRAP SHALL NOT BE PERFORMED. GROUTING OF THE TOEWALLS SHALL BE PERFORMED PER SPECIFICATIONS.

Sowed 12-20-2012 3:34:47 PM by BJS
 Plot Scale 1:10 12-21-2012 6:01:44 PM by BILL J. SEKSON
 C:\2011\1114\000\1114-000-20C-RIPRAP AND MISC DTLS

No.	Revision	By	Date
NEWMARKET OFFICE 2ND PAVING AND INCIDENTAL DRAINAGE IMPROVEMENTS RIPRAP AND MISCELLANEOUS DETAILS GARY JANZEN, P.E. - CITY ENGINEER CITY OF WICHITA PROJ. NO. 472-84990 PROFESSIONAL ENGINEERING CONSULTANTS, P.A. 303 SOUTH TOPEKA WICHITA, KS 67202 316-262-2691 www.pec1.com			
Designed by	BMM, JAG	Job No.	35-11114-000
Drawn by	BJS	Date	July 2011
			Sht. 20 of 31