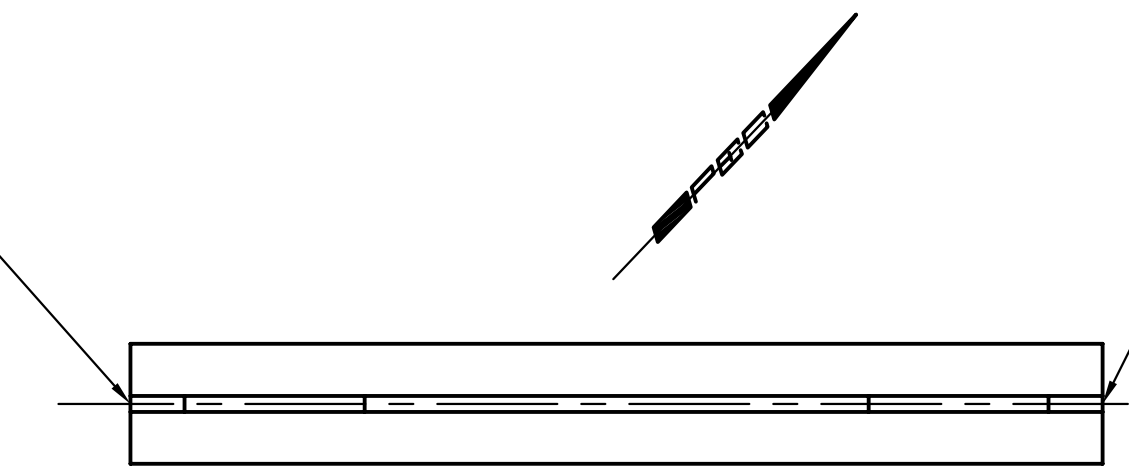
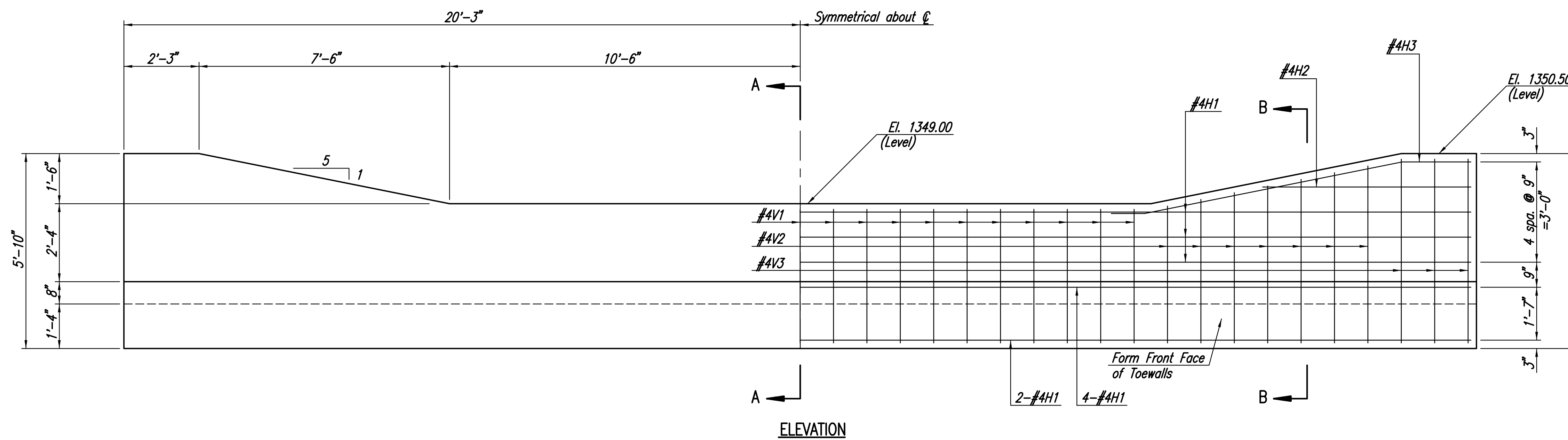


N-25,447.0520
E-18,600.1076



N-25,474.4846
E-18,629.4481



BILL OF MATERIALS (PER EACH WEIR)							
REINFORCING STEEL							
Straight Bars			Bent Bars *				
Mark	No.	Size	Length	Mark	No.	Size	Length
H1	11	#4	40'-2"	V1	21	#4	4'-2"
H2	2	#4	6'-3"	V2	8	#4	Varies
				V3	6	#4	5'-7"
				H3	2	#4	10'-8"
				U1	35	#4	7'-10"

* See Bending Diagrams

SUMMARY OF QUANTITIES		
ITEM	QUANTITY	UNIT
Concrete	9.9	C.Y.
Reinforcing Steel	613	Lbs.

GENERAL NOTES

UNIT STRESSES:

CONCRETE: $F_c=4,000$ P.S.I., $F_y=60,000$ P.S.I.
 $F_c=1,600$ P.S.I., $F_s=24,000$ P.S.I.

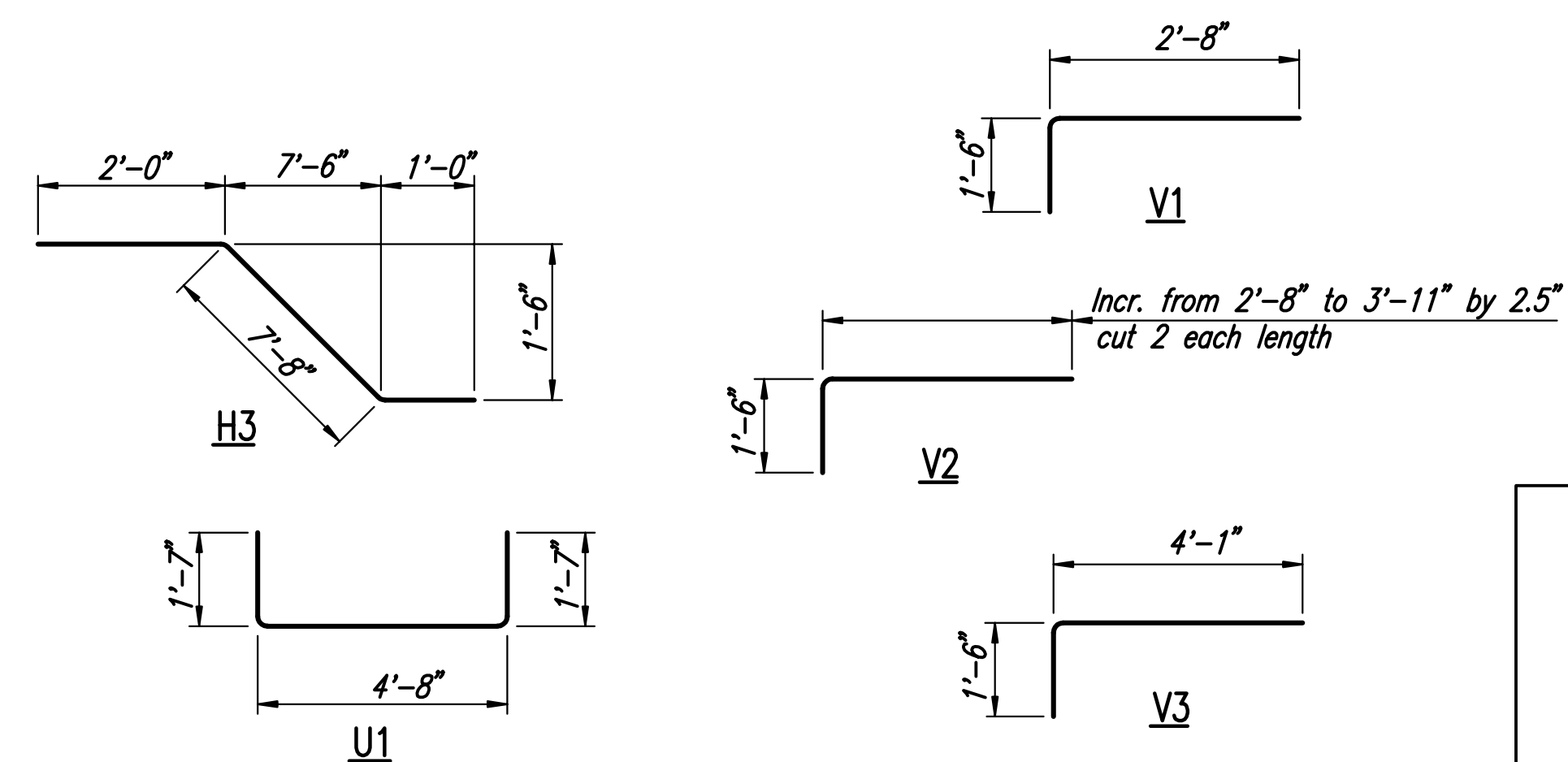
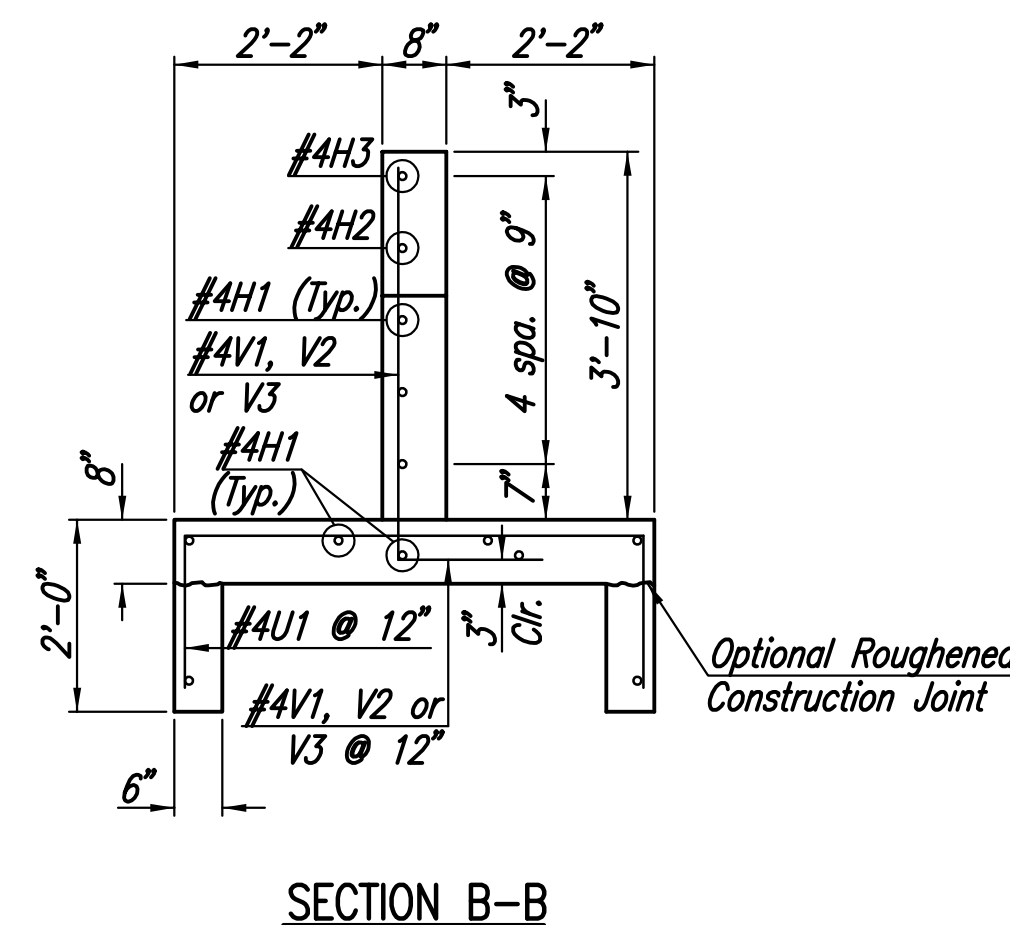
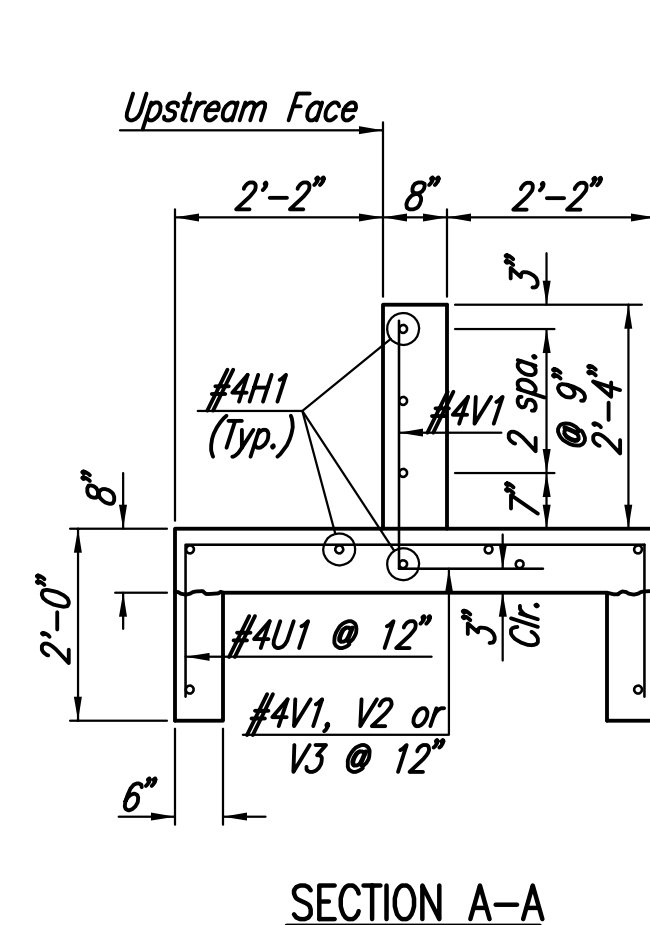
CONCRETE: Concrete shall have a minimum 28 day compressive strength of 4,000 P.S.I. Bevel all exposed edges with a 3/4" triangular moulding, unless otherwise noted.

REINFORCING STEEL: All reinforcing steel shall conform to ASTM Designation A615 Grade 60 and shall be epoxy-coated. All dimensions relative to reinforcing are to centerline of bars unless otherwise noted. Bar bending and dimensions shall be as shown and noted on the bar bending diagrams. The concrete cover for all reinforcing shall be a minimum of 2" unless otherwise noted.

JOINTS: Construction joints shall only be formed at locations shown or as approved by the Engineer.

BASIS OF PAYMENT

The "R.C. Weir" shall be paid as a lump sum which shall include all labor, material, excavation, concrete, reinforcing steel and all other incidentals necessary to complete the work. Quantities shown are for information only.



No.	Revision	By	Date
NEWMARKET OFFICE 2ND STORM WATER DRAIN NO. 376 (PART B) R.C. WEIR DETAILS GARY JANZEN, P.E. - CITY ENGINEER CITY OF WICHITA PROJ. NO. 468-84753 PROFESSIONAL ENGINEERING CONSULTANTS, P.A. 303 SOUTH TOPEKA WICHITA, KS 67202 316-262-2691 www.pec1.com			
Designed by	BMM, JAG	Job No.	35-11114-003
Drawn by	BJS	Date	January 2011
			Sht. 9 of 17