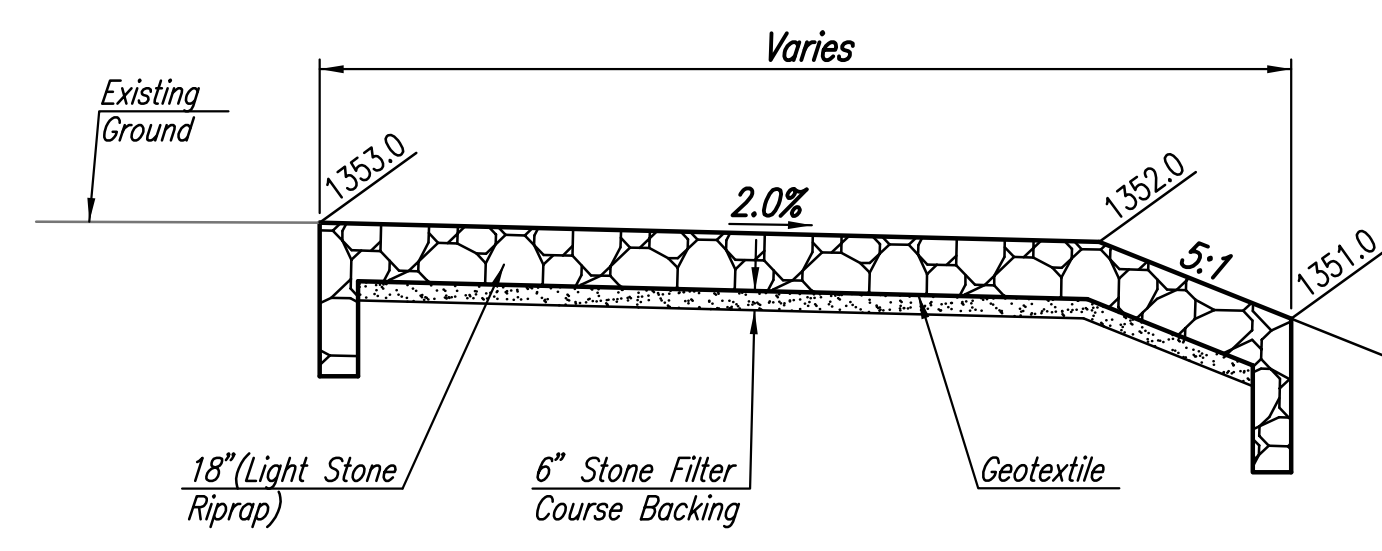
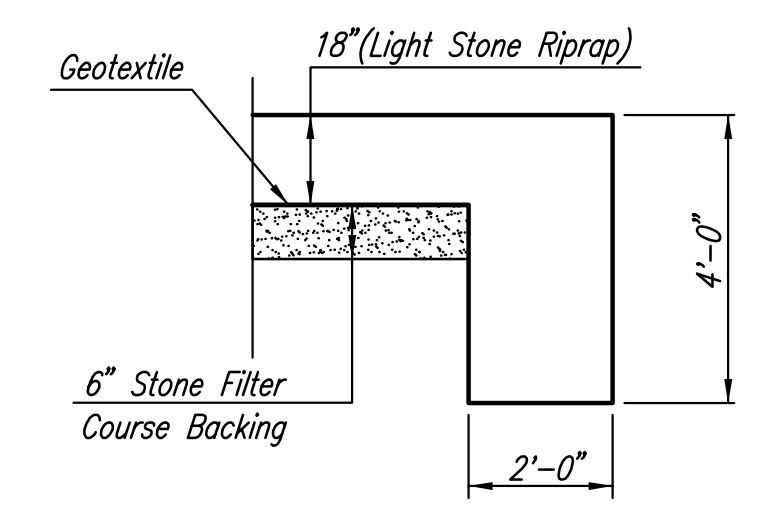


PLAN



SECTION A-A



TYPICAL SECTION THRU TOEWALL
NO SCALE

NOTES

1. ALL RIPRAP FOR THIS PROJECT SHALL BE NATURAL STONE. NEITHER BROKEN CONCRETE, FABRIC ENVELOPE, NOR PREMIXED DRY PACKAGED CONCRETE BAG ALTERNATES WILL BE ALLOWED.
2. TOEWALLS SHALL BE INSTALLED ALONG ALL EDGES OF STONE RIPRAP OR AS SHOWN ON PLANS.
3. GROUTING OF THE SURFACE OF THE RIPRAP SHALL NOT BE PERFORMED. GROUTING OF THE TOEWALLS SHALL BE PERFORMED PER SPECIFICATIONS.

SIZE REQUIREMENTS FOR ROCK RIPRAP							
PERCENT HEAVIER THAN:							
	1/4 TON	250 LBS.	200 LBS.	180 LBS.	60 LBS.	10 LBS.	5 LBS.
HEAVY	0%		50%				90%
LIGHT		0%		5-15%	50-70%	85-100%	

No.	Revision	By	Date
NEWMARKET OFFICE 2ND STORM WATER DRAIN NO. 376 (PART B) WEST POND INFLOW-RIPRAP DETAILS GARY JANZEN, P.E. - CITY ENGINEER CITY OF WICHITA PROJ. NO. 468-84753			
PROFESSIONAL ENGINEERING CONSULTANTS, P.A. 303 SOUTH TOPEKA WICHITA, KS 67202 316-262-2691 www.pec1.com			
Designed by	BMM, JAG	Job No.	35-11114-003
Drawn by	BJS	Date	January 2011
			Sht. 11 of 17

Sowed 12-21-2012 7:02:20 PM by BJS
 Plot Scale 1:10 12-21-2012 7:07:50 PM by BILL J. SEKSON
 G:\2011\11114\003\PART B\1114-003-11C-RIPRAP WEST POND