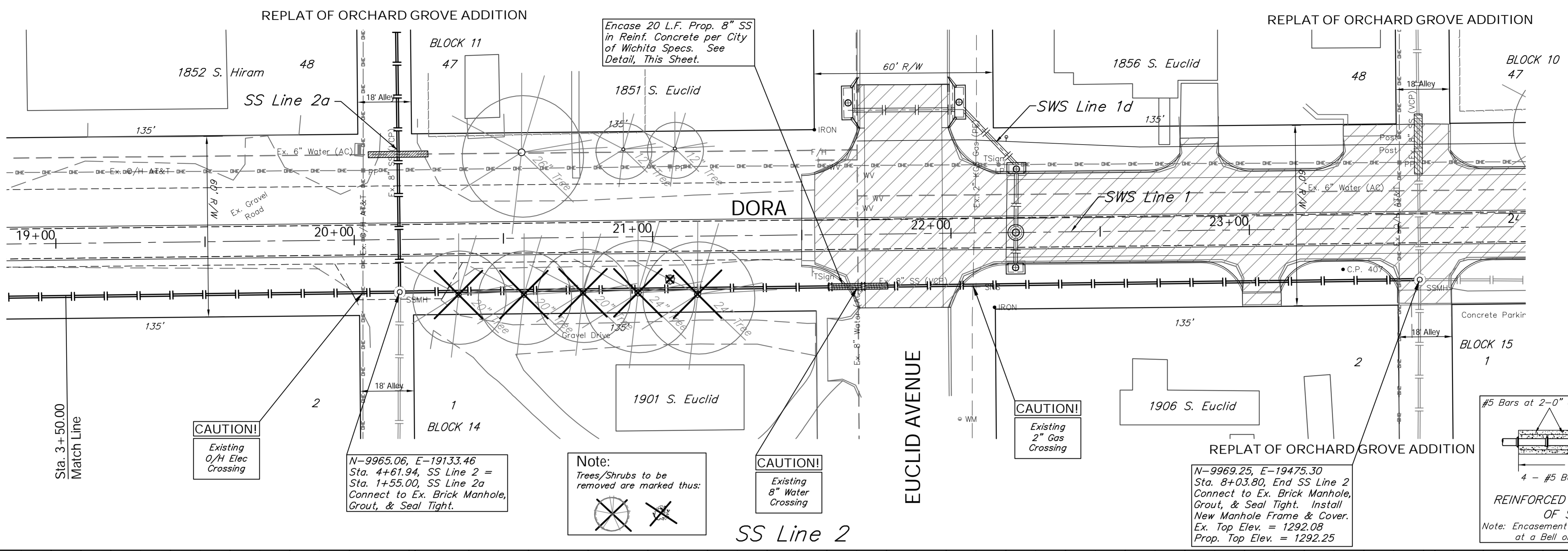


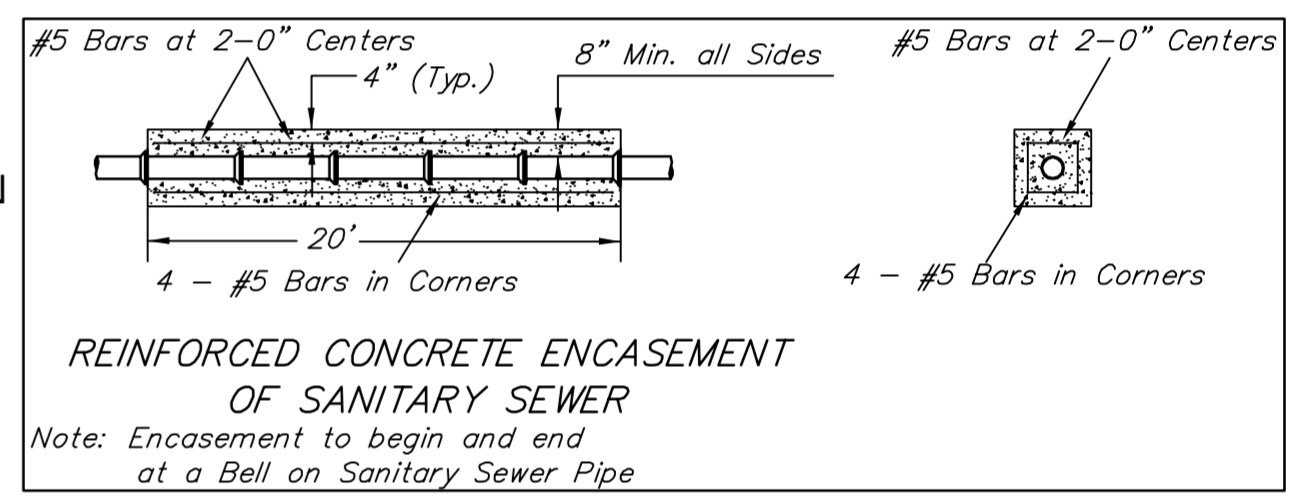
BENCHMARK:
 BM #5 - Chiseled "I" on the North Curb Return of the Drive to 2011 W. Dora, 60' South and 15' West of the Centerlines of Dora and Hiram.
 Elev. = 1291.73 (NAVD 88)

SCALE:
 1" = 20' Horizontal
 1" = 5' Vertical



SANITARY SERVICE RECONNECTIONS		
Address	SS Line No.	Station
1845 S. Hiram	2	0+20
1846 S. Bonn	2	0+48
1847 S. Hiram	2	0+52
1901 S. Euclid	2	1+84
1846 S. Hiram	2a	0+19
1851 S. Euclid	2a	0+23
1852 S. Hiram	2a	0+77

All Cost Associated with Reconnecting Sanitary Sewer Services Shall be *SUBSIDIARY* to the Measured Quantity Bid Item "Service Reconnection, Sewer (4)".
 The Stationing Shown in this Table are from TV Log Footages provided by the City of Wichita.



Note:
 Trees/Shrubs to be removed are marked thus:

