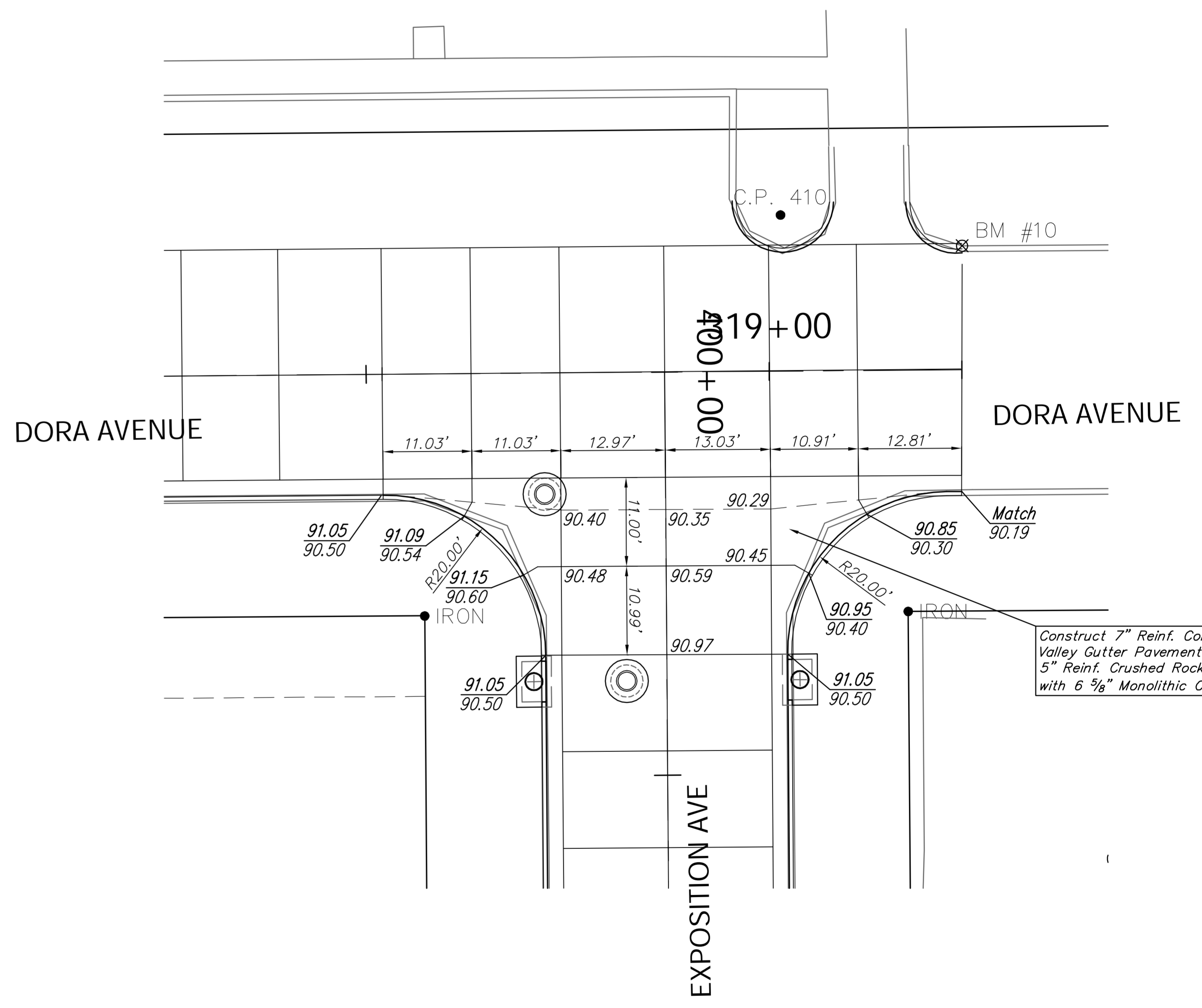
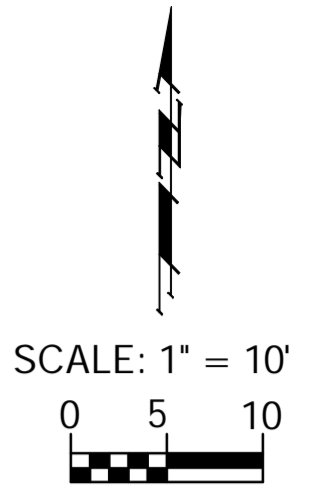


Construct 7" Reinf. Concrete Valley Gutter Pavement on 5" Reinf. Crushed Rock Base with 6 3/8" Monolithic Curb.



Construct 7" Reinf. Concrete Valley Gutter Pavement on 5" Reinf. Crushed Rock Base with 6 3/8" Monolithic Curb.

Drawing File: E:\Projects\Meridian Drainage\Land\dwg\Drainage Base.dwg (Int 06)  
 Project No: 0802E038 CAPITAL IMPROVEMENT PROJECT

Design: TPV  
 Drawn: STAFF  
 Approved: TPV  
 Scale: NOTED  
**MARTINSON & EXPOSITION INTERSECTION**  
**JOINT & GRADING PLANS**  
 MERIDIAN AVENUE DRAINAGE OUTFALL PROJECT

**Baughman Company, P.A.**  
 315 Ellis St., Wichita, KS 67211 P 316-262-7271 F 316-262-0149  
 ENGINEERING | SURVEYING | PLANNING | LANDSCAPE ARCHITECTURE

January 2013  
 SHEET  
**75**  
 OF  
**119**