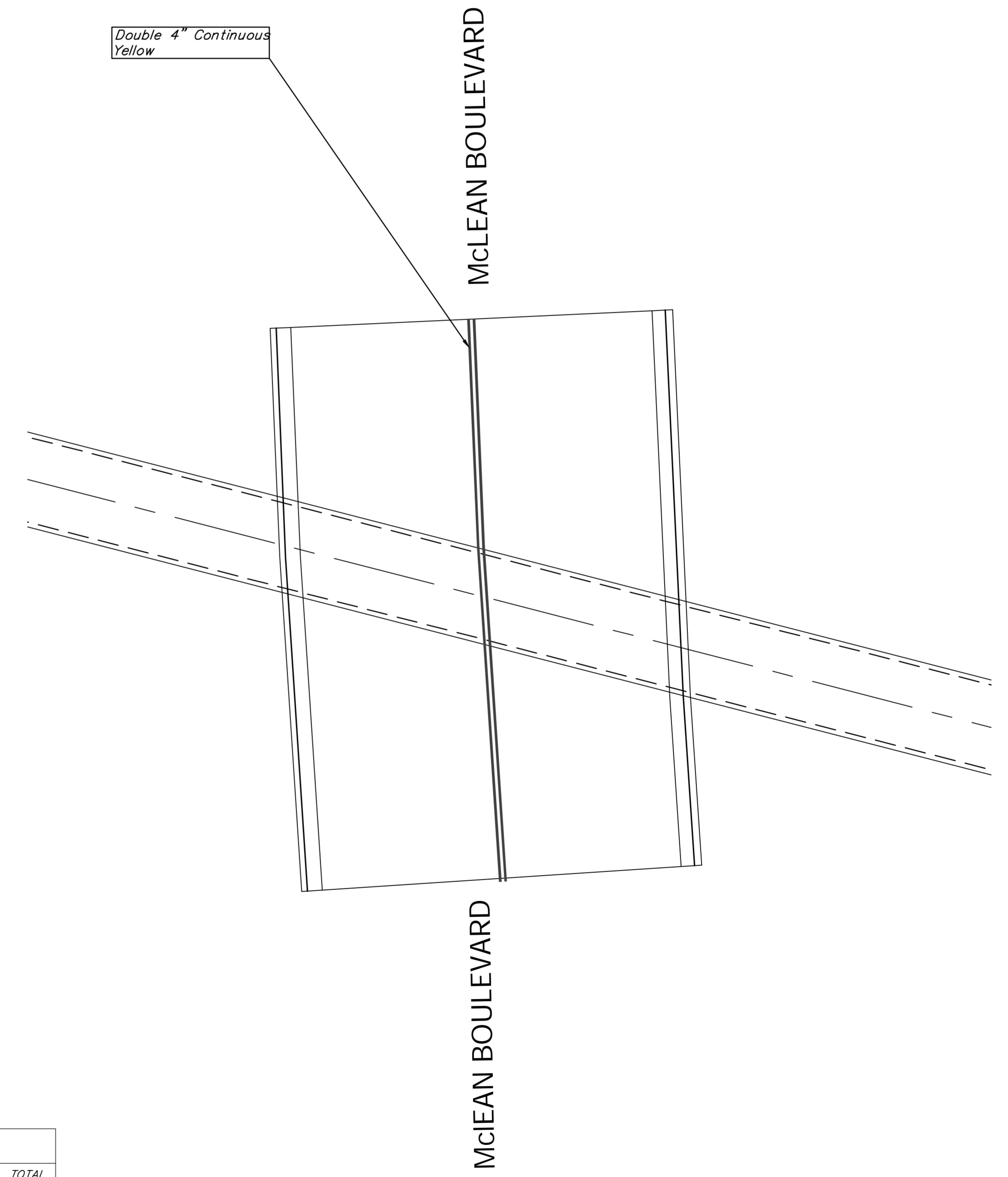
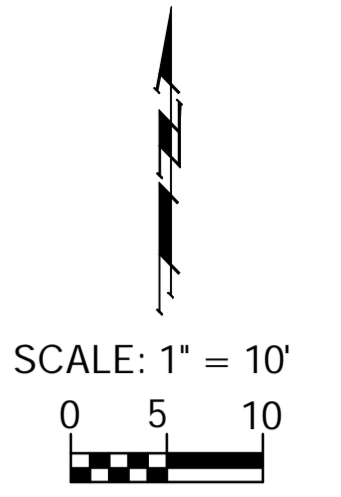


| BILL OF MATERIALS | | |
|----------------------------------|-------|-------|
| ITEMS | UNITS | TOTAL |
| PLASTIC MARKING TAPE (6" WHITE) | LF | 50 |
| PLASTIC MARKING TAPE (4" YELLOW) | LF | 360 |
| FOR INFORMATION ONLY | | |



Drawing File: E:\Projects\Meridian Drainage\Land\dwg\Drainage_Base.dwg (Mark 03)
 Project No: 08-02-E038 CAPITAL IMPROVEMENT PROJECT
 Design: TPV
 Drawn: STAFF
 Approved: TPV
 Scale: NOTED

SENECA STREET & McLEAN BLVD
MARKING PLANS
 MERIDIAN AVENUE DRAINAGE OUTFALL PROJECT

Baughman Company, P.A.
 315 Ellis St., Wichita, KS 67211 P 316-262-7271 F 316-262-0149
 ENGINEERING | SURVEYING | PLANNING | LANDSCAPE ARCHITECTURE