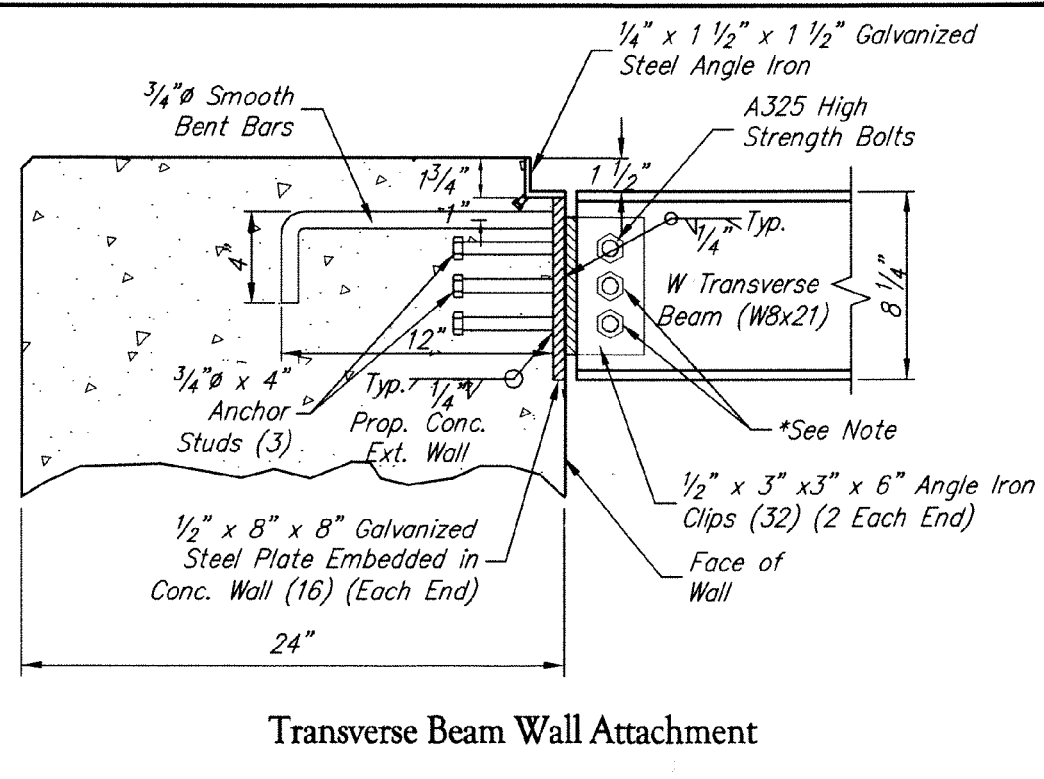


Main Girder Wall Attachment

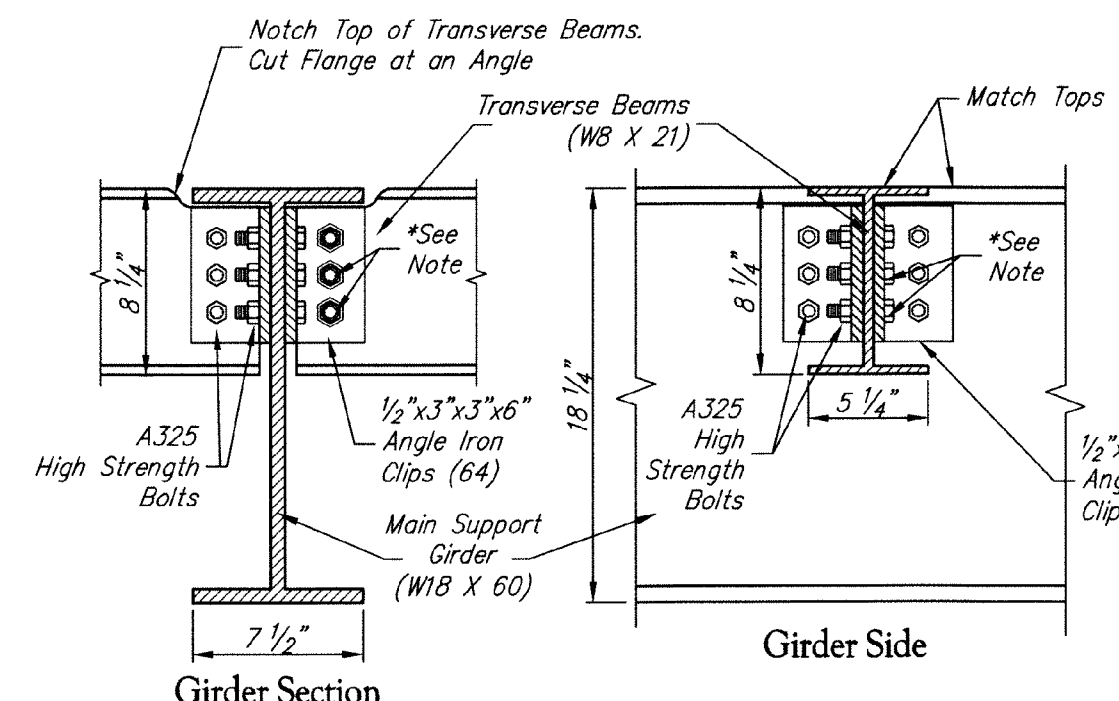


Transverse Beam Wall Attachment

BEAM TO WALL ATTACHMENT DETAILS

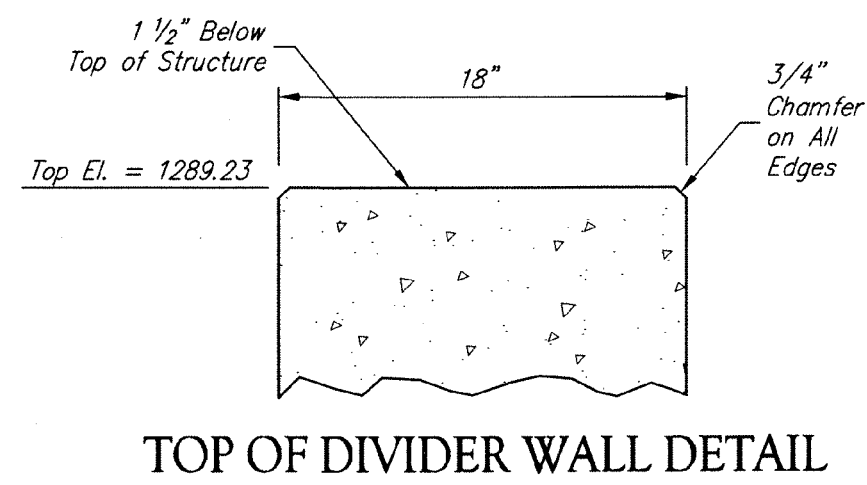
Scale: 1" = 8"

*Note: Exact size, number and location of bolts and bolt holes to be determined by steel beam fabricator.



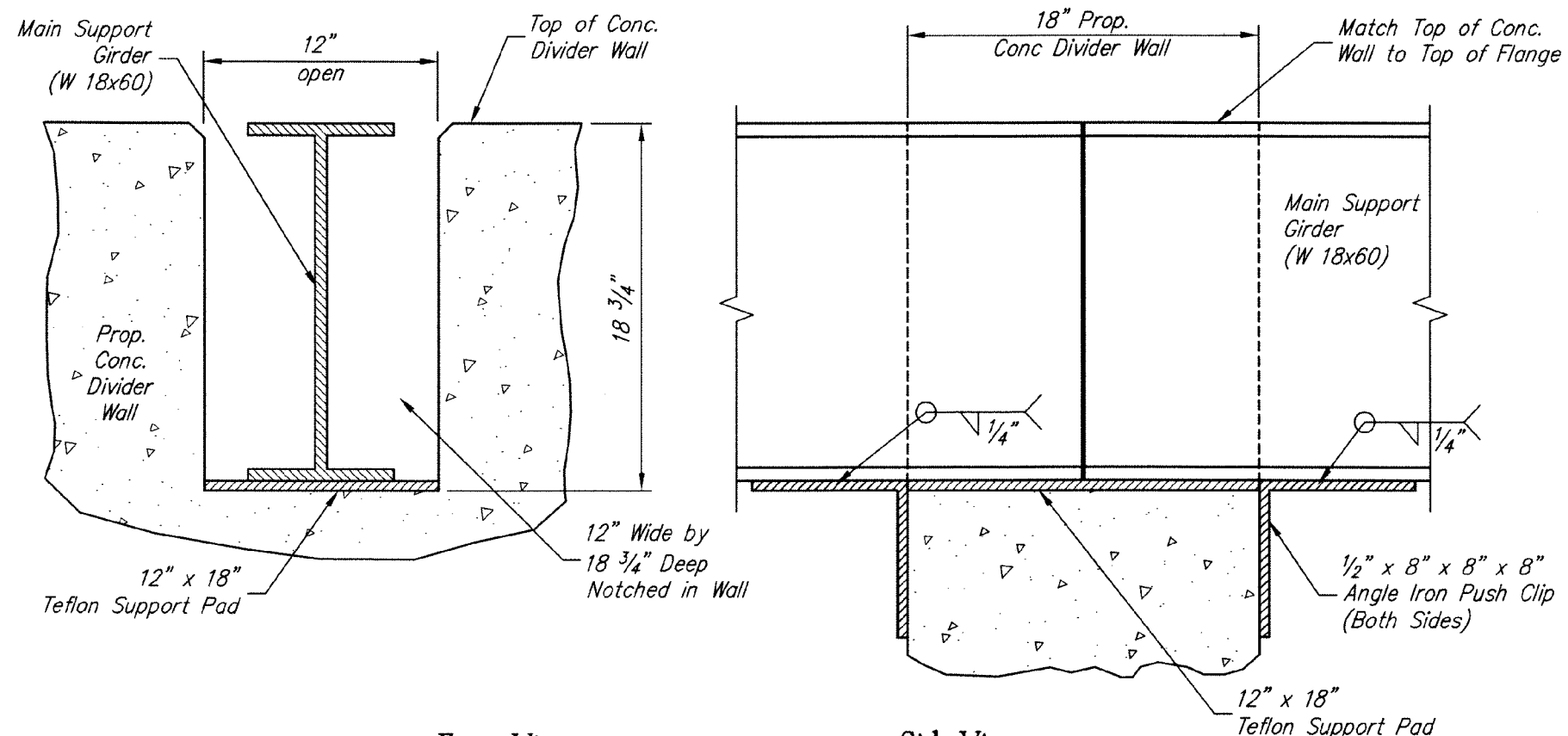
BEAM CONNECTION DETAIL

Scale: 1" = 8"



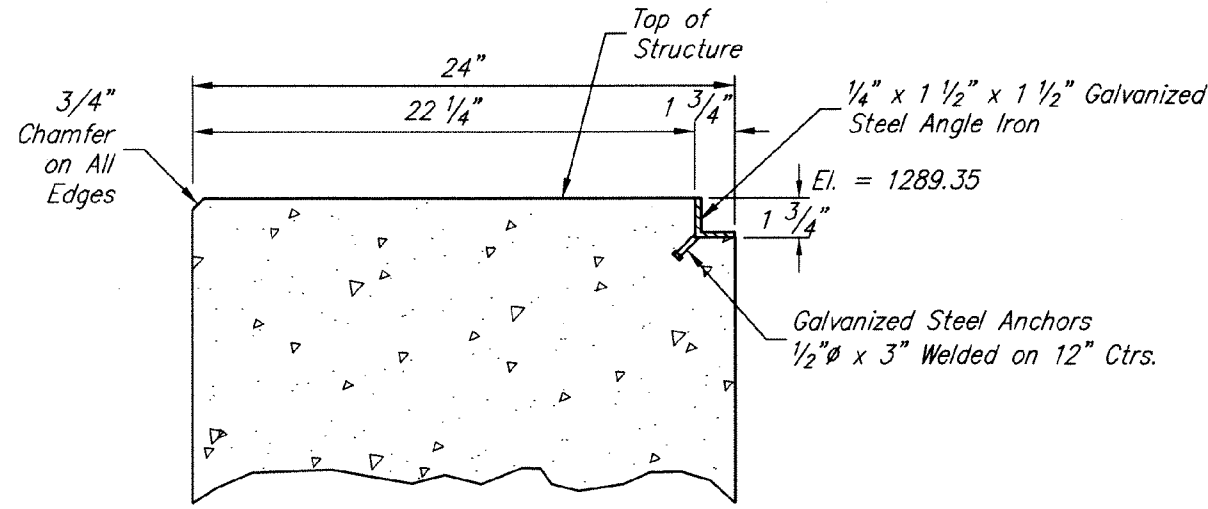
TOP OF DIVIDER WALL DETAIL

Scale: 1" = 8"



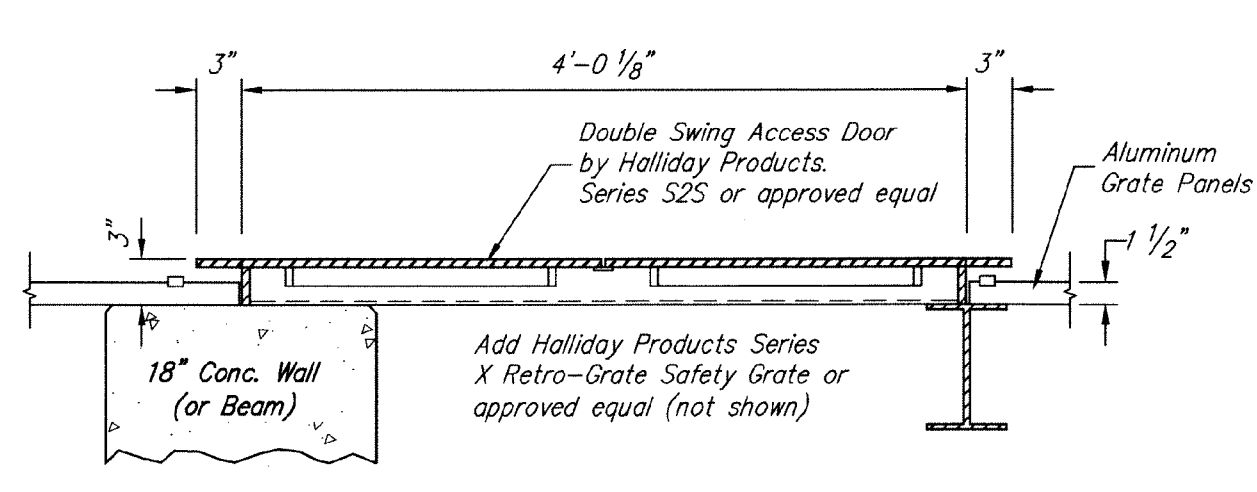
MAIN GIRDER SUPPORT DETAIL

Scale: 1" = 8"



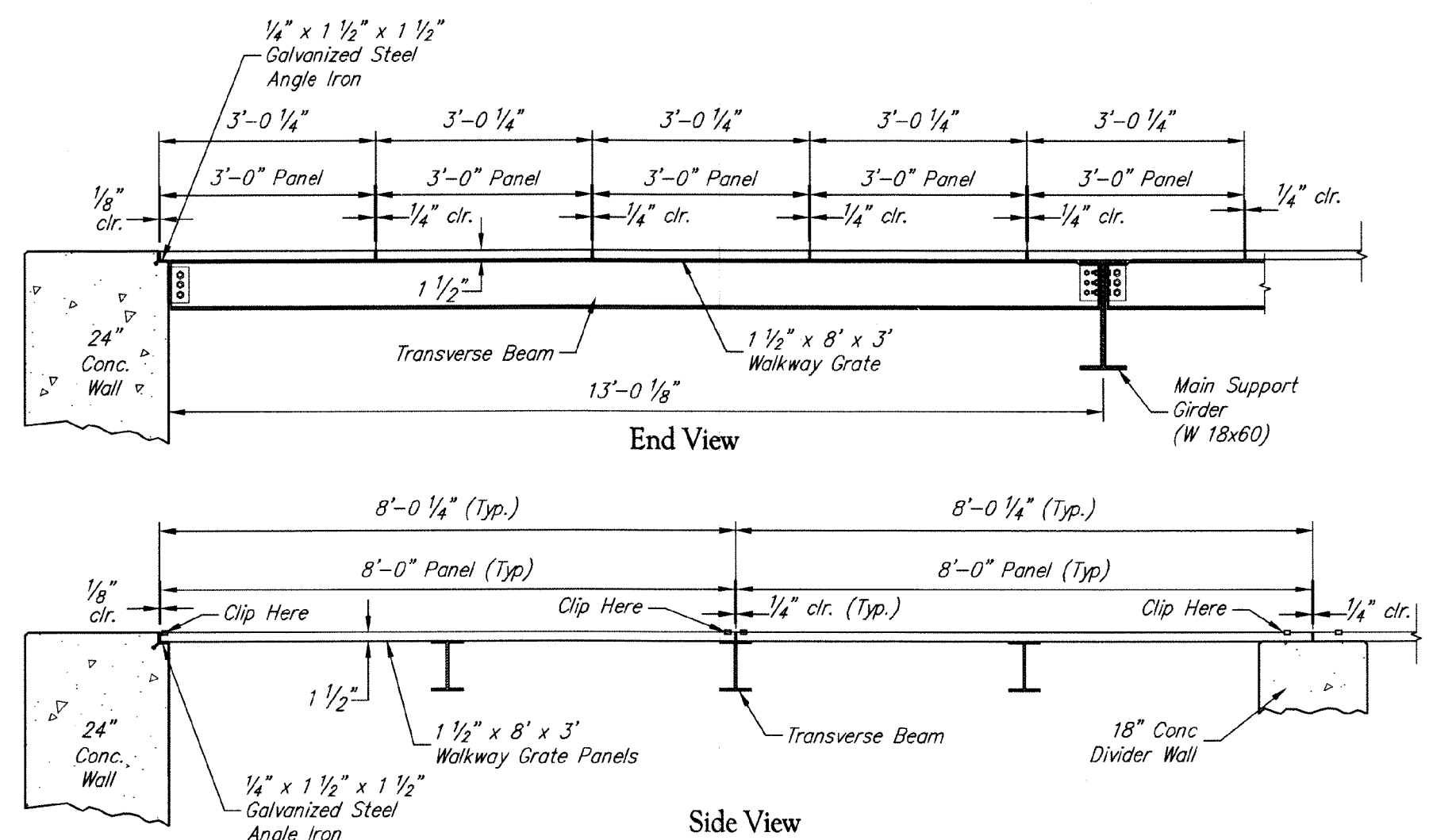
TOP OF EXTERIOR WALL DETAIL

Scale: 1" = 8"



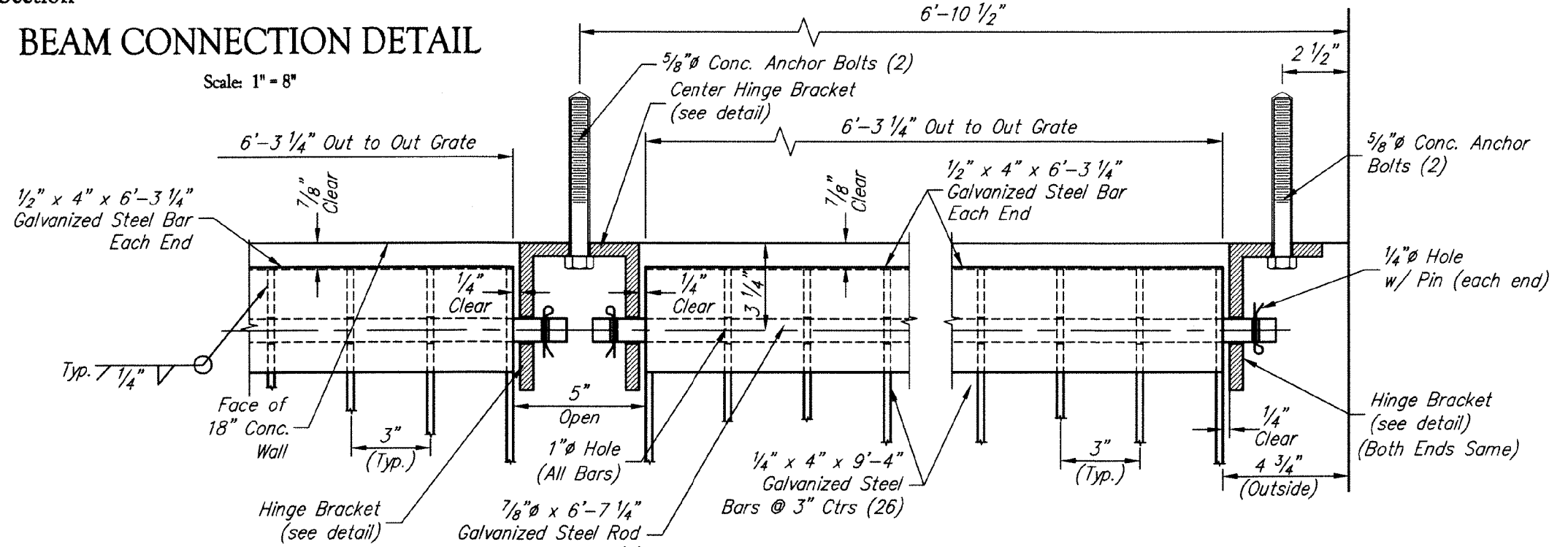
TYPICAL ACCESS DOOR DETAIL

Scale: 1" = 1"



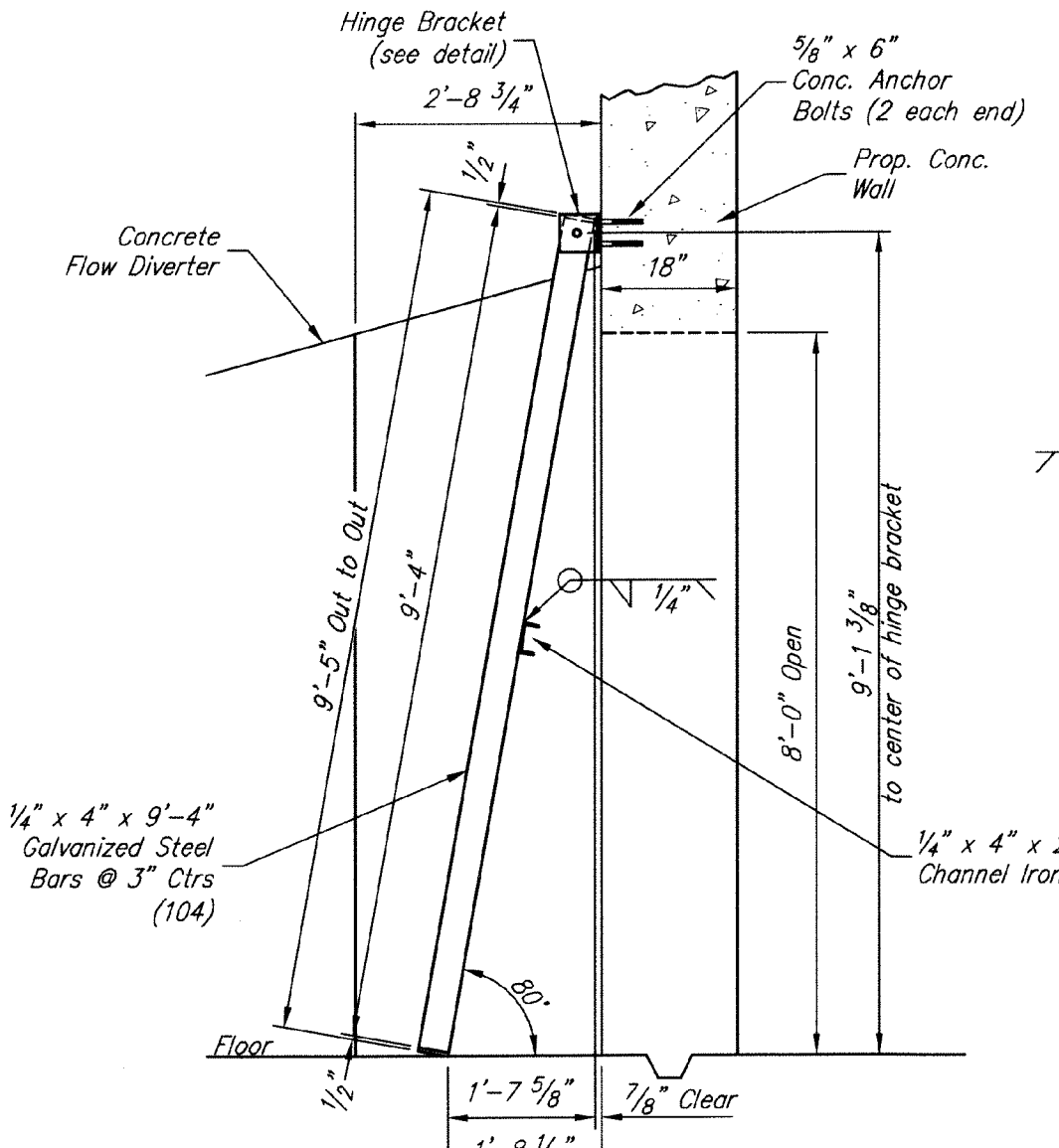
COVER GRATE PLACEMENT DETAILS

Scale: 1" = 2"



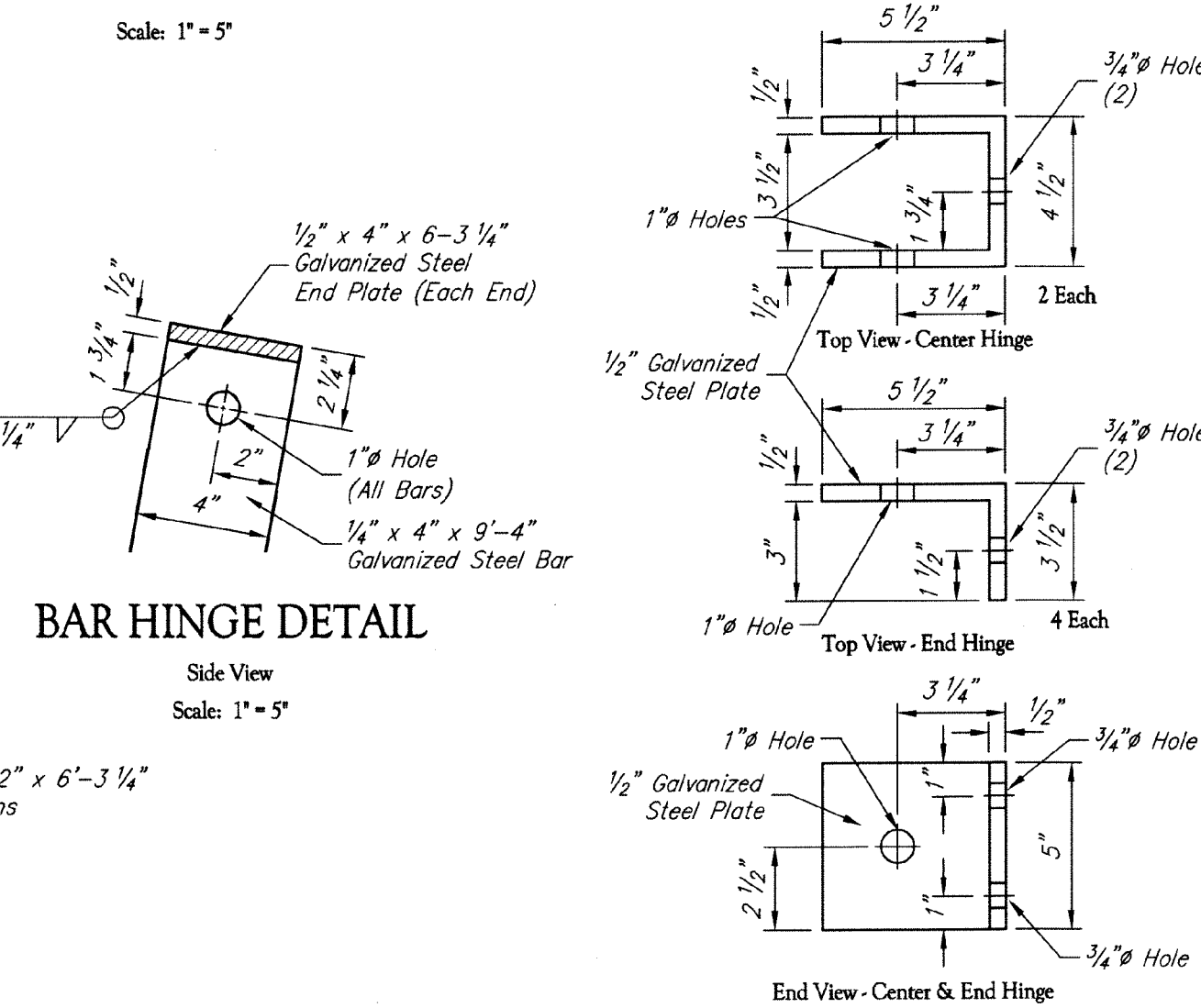
GRATE HINGE DETAILS

Scale: 1" = 5"



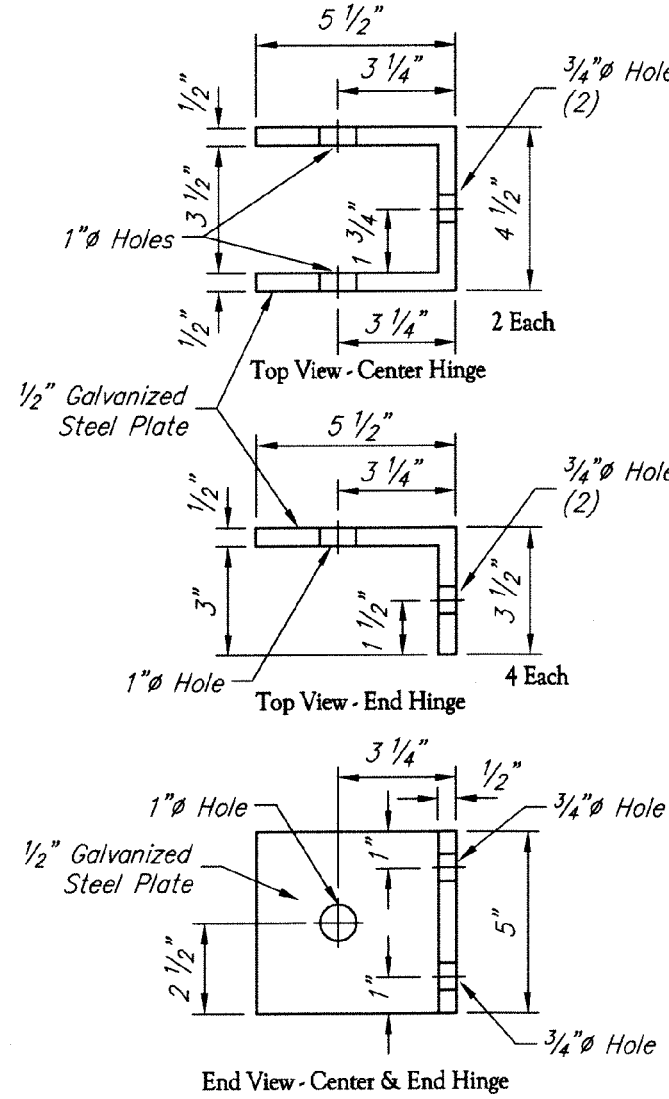
STRAINER GRATE PROFILE

Scale: 1" = 2"



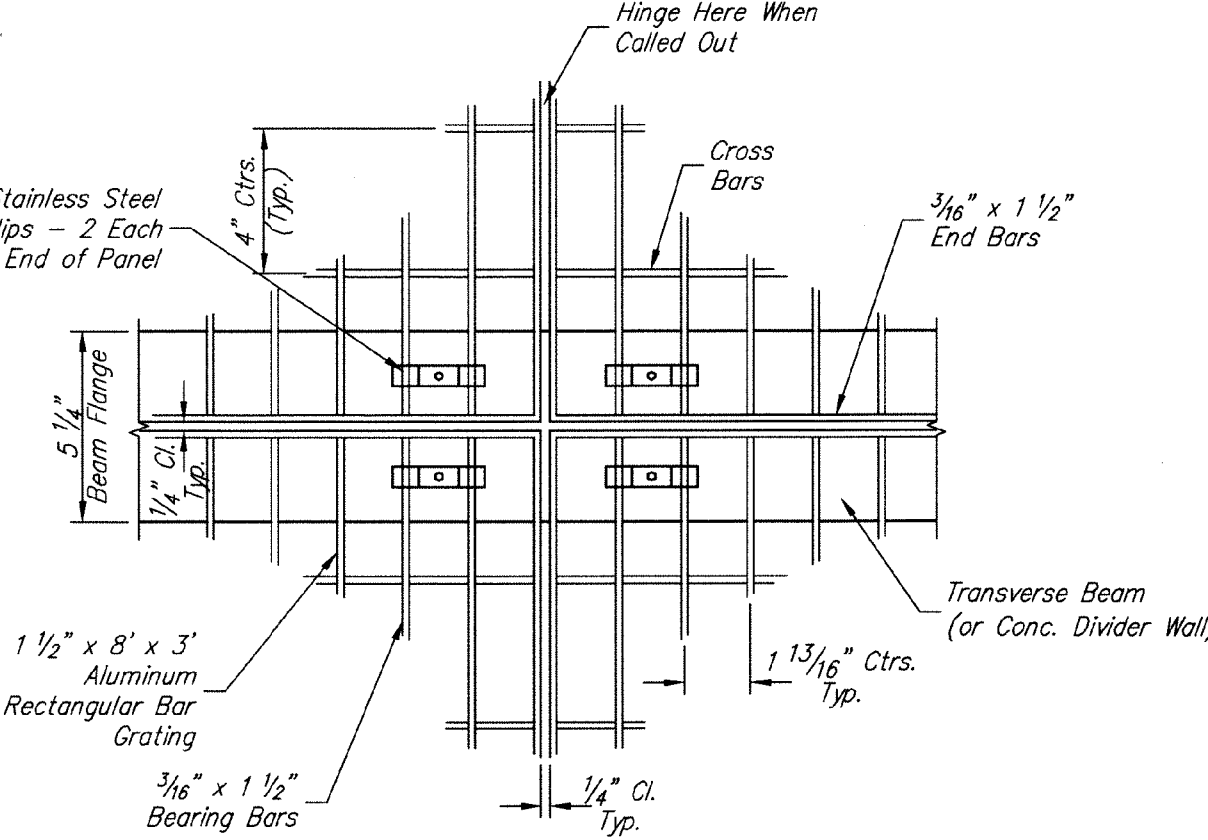
BAR HINGE DETAIL

Scale: 1" = 5"



HINGE BRACKET DETAILS

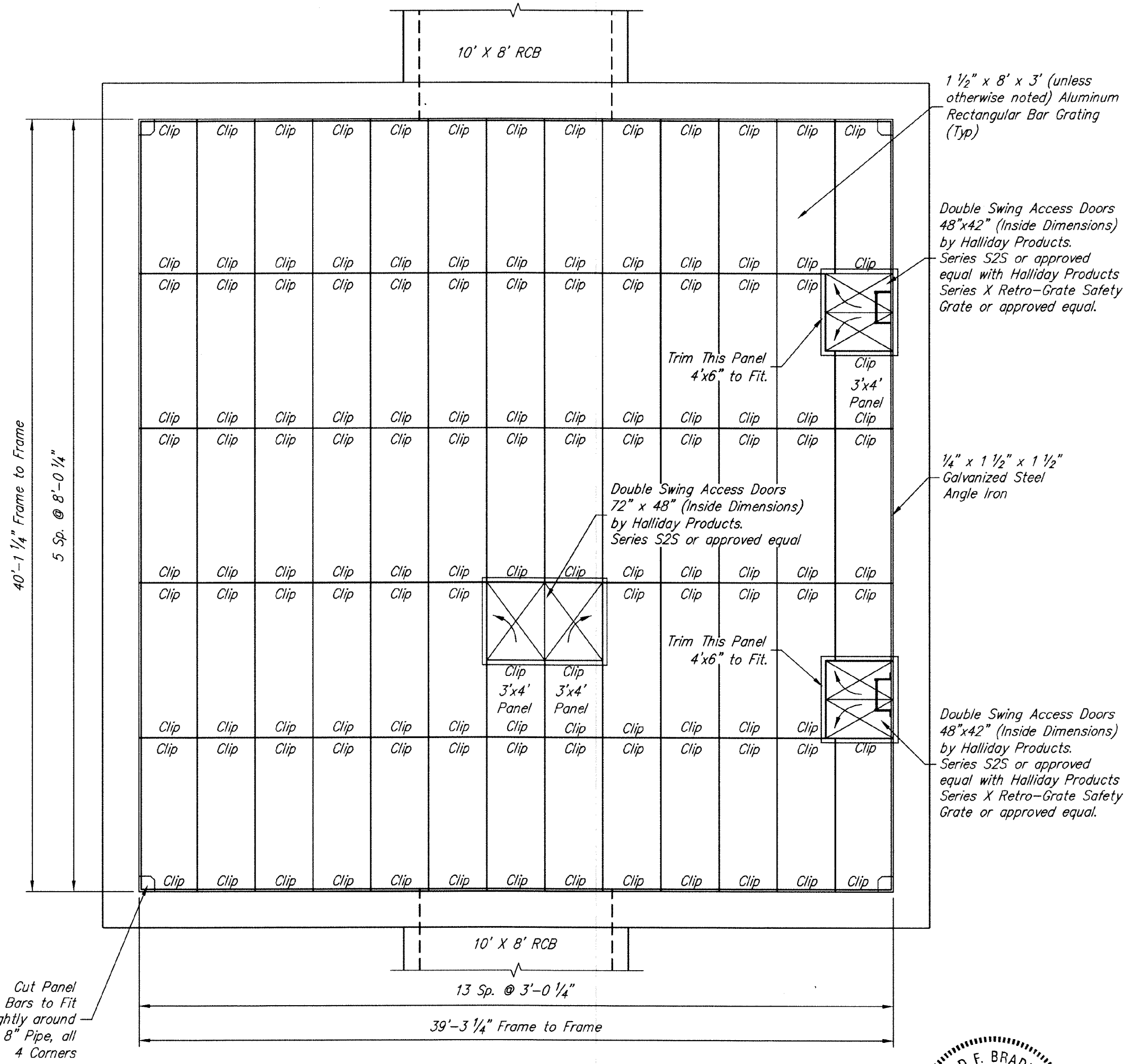
Scale: 1" = 5"



STANDARD GRATING PANEL DETAILS

Scale: 1" = 5"

Note: Walkway grating panels shall be 8'-0" x 3'-0" out-to-out, made of aluminum with a height of 1 1/2" and 3/16" min. thick bearing bars on 1 3/16" centers. Panels shall be "Aluminum Rectangular Bar Plank Grating Series Number 19 SG4" as manufactured by Direct Metals, 3775 Cobb International Blvd., Kennesaw, Ga. 1-800-711-7939. Surface should be non-skid.



WALKWAY GRATING LAYOUT

Scale: 1" = 5"

Drawing File: E:\Projects\Meridian Drainage\Details\Online Filter Details.dwg [Details]
 Project No. 08623638 CAPITAL IMPROVEMENT PROJECT
 Design: KEK
 Drawn: JAK
 Approved: JFB
 Scale: NOTED

DEBRIS REMOVAL STRUCTURE DETAILS
 MERIDIAN AVENUE DRAINAGE OUTFALL PROJECT

Baughman Company, P.A.
 315 Ellis St. Wichita, KS 67211 P 316-262-1211 F 316-262-0149
 ENGINEERING | SURVEYING | PLANNING | LANDSCAPE ARCHITECTURE

