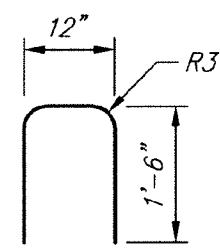
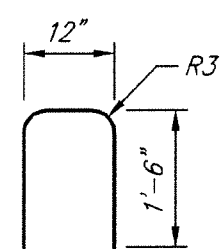


#8 B1 Bars

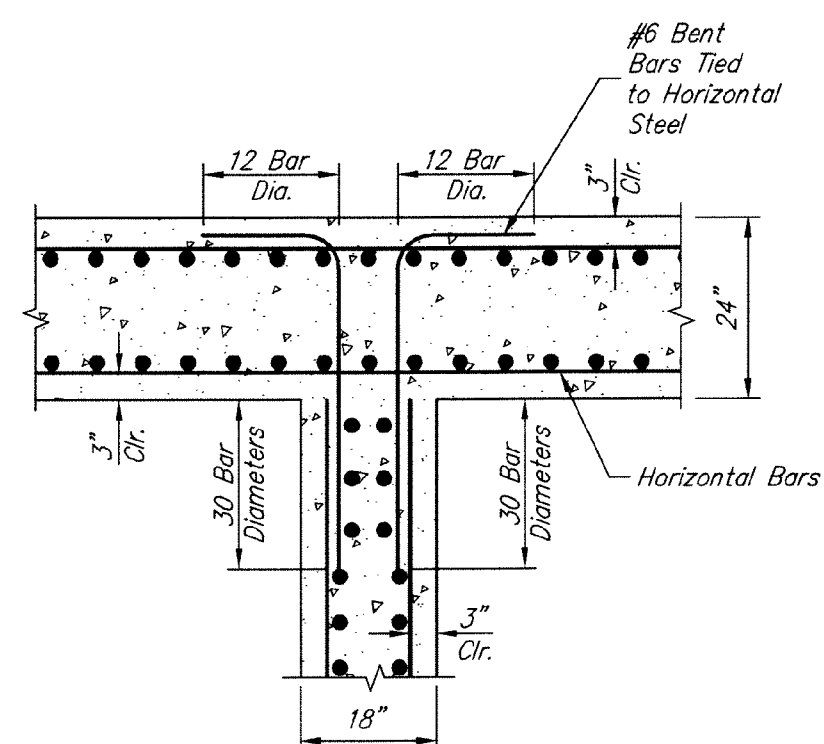


#7 U1 Bars



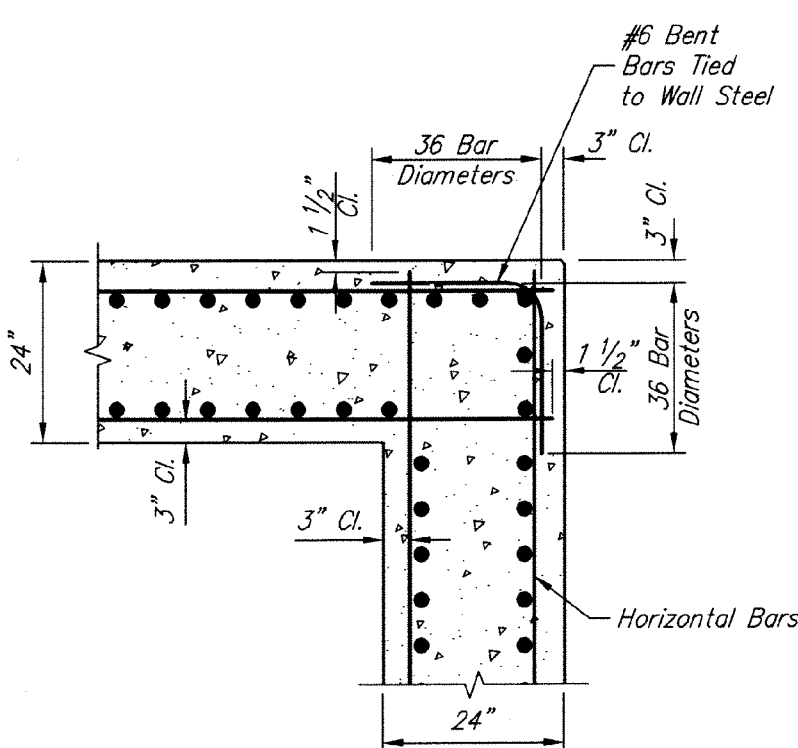
#5 U2 Bars

BENDING DIAGRAM



WALL INTERSECTION REINFORCING DETAIL

Scale: 1" = 2'



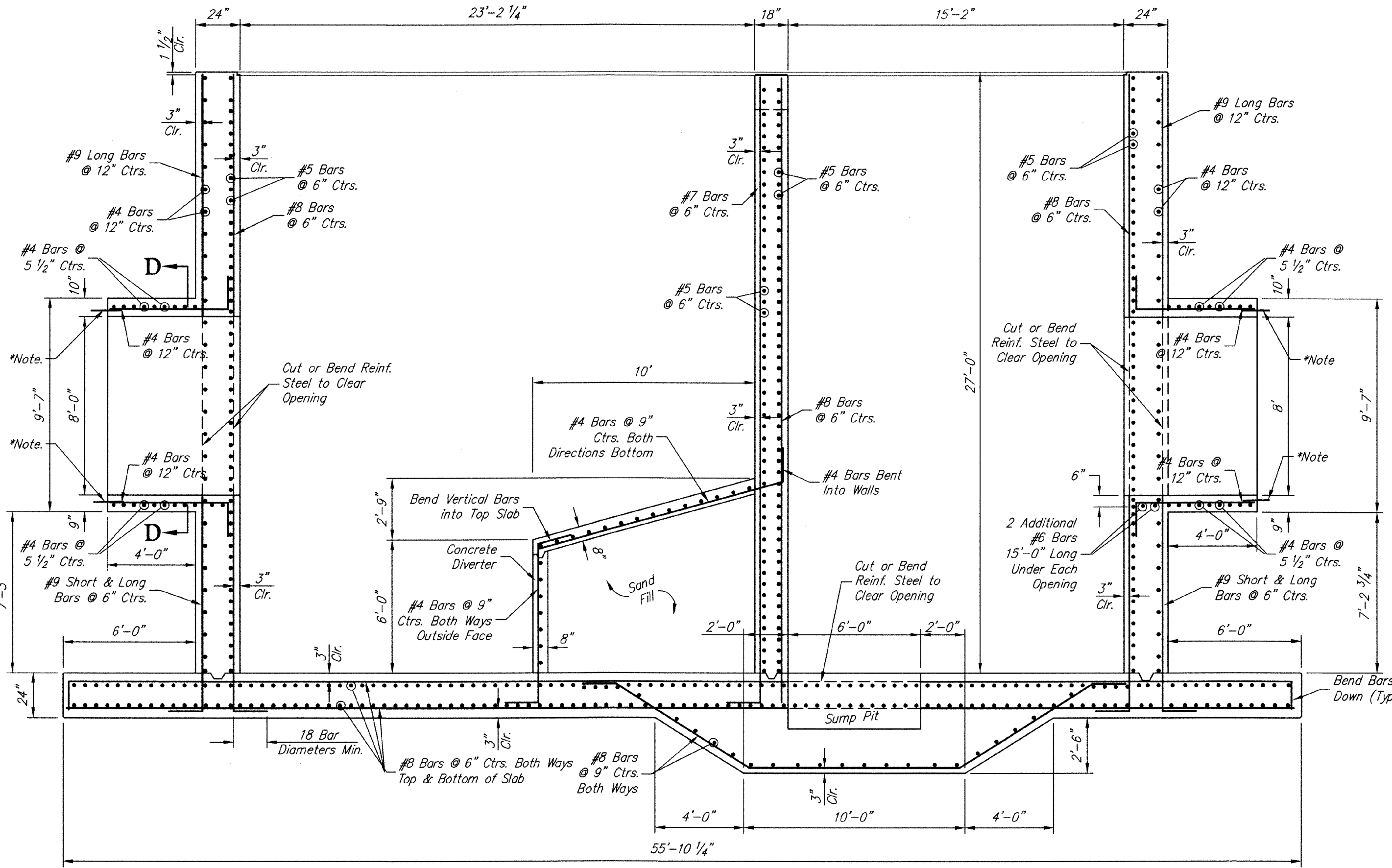
CORNER REINFORCING DETAIL

Scale: 1" = 2'

Standard Hook Lengths for Bars Embedded in Concrete Shall be 12 Bar Dia.
All Reinforcing Bars to be Bent Cold Unless Otherwise Permitted by the Engineer.

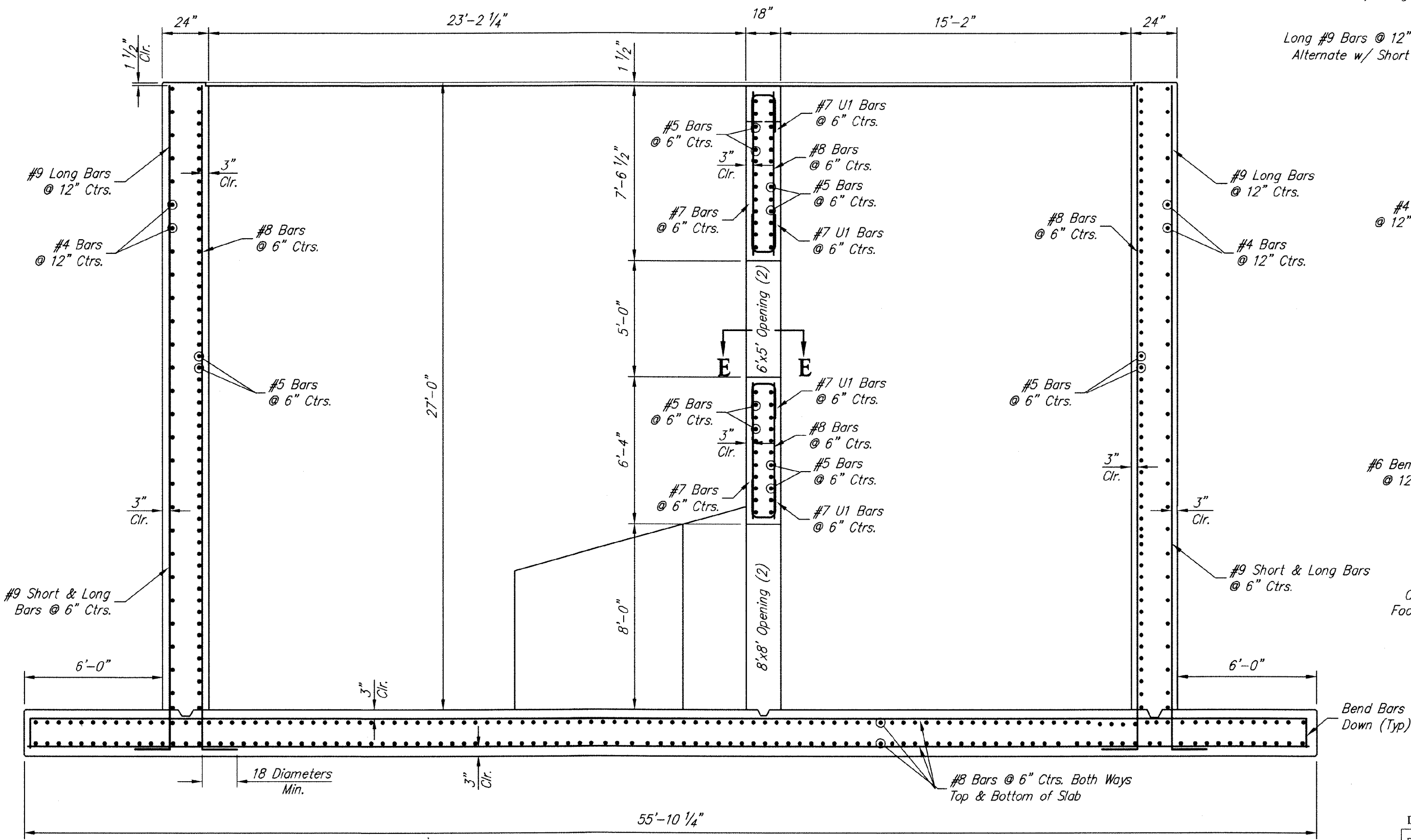
MINIMUM DIAMETER OF BAR BENDS

BAR SIZE	MINIMUM DIAMETER
No. 3 Through No. 8.	6 Bar Dia.
No. 9 Through No. 11	8 Bar Dia.
No. 14 Through No. 18	10 Bar Dia.



SECTION B-B

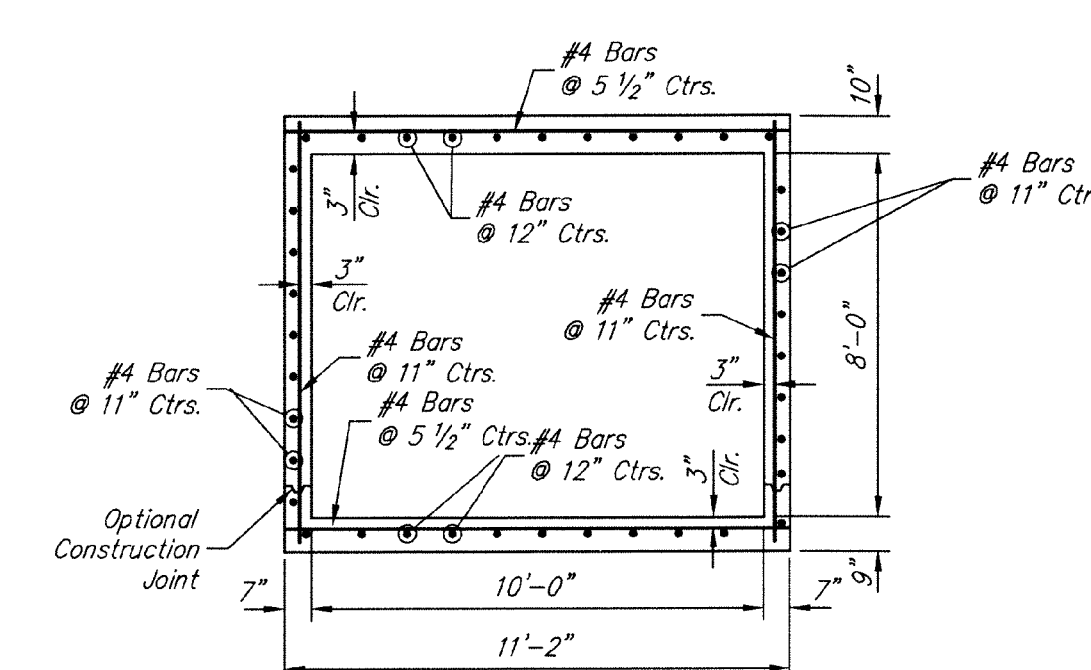
Scale: 1" = 4'



SECTION A-A

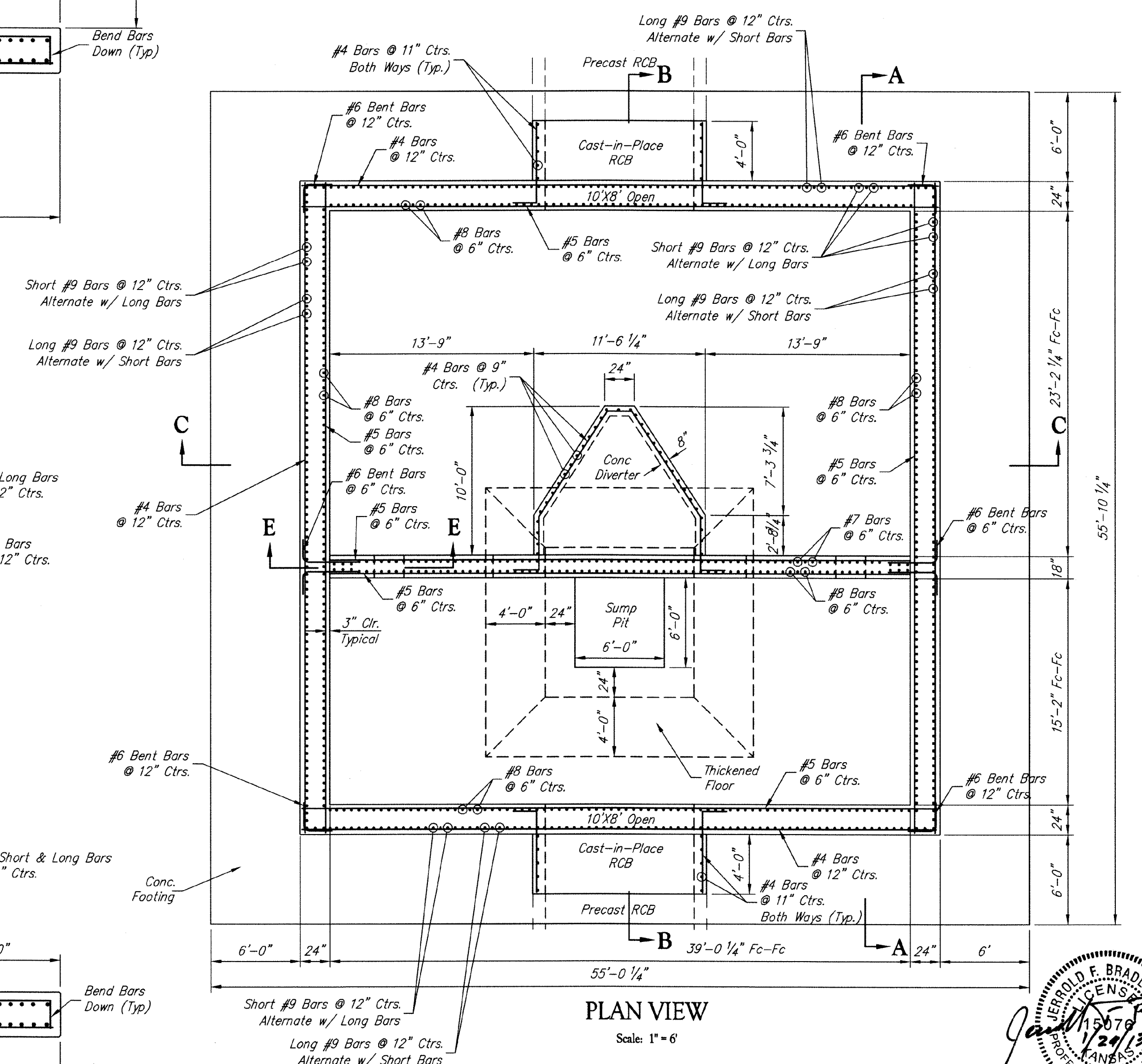
Scale: 1" = 4'

*Note: Exposed Rebar Steel from End of Precast RCB.
Min. 1'-0" into Cast-in-place Section (Top, Bottom, & Walls)



SECTION D-D

Scale: 1" = 4'



PLAN VIEW

Scale: 1" = 6'

Drawing File: E:\Projects\Meridian Drainage\Details\Rein\Detail.dwg (Rein 01)
Project No. 26022036 CAPITAL IMPROVEMENT PROJECT
Design: KEK
Drawn: JAK
Approved: JFB
Scale: NOTED

DEBRIS REMOVAL STRUCTURE
REINFORCEMENT DETAIL - SHEET 1
MERIDIAN AVENUE DRAINAGE OUTFALL PROJECT

Baughman Company, P.A.
315 Ellis St., Wichita, KS 67211 P 316-262-2171 F 316-262-0149
ENGINEERING | SURVEYING | PLANNING | LANDSCAPE ARCHITECTURE

