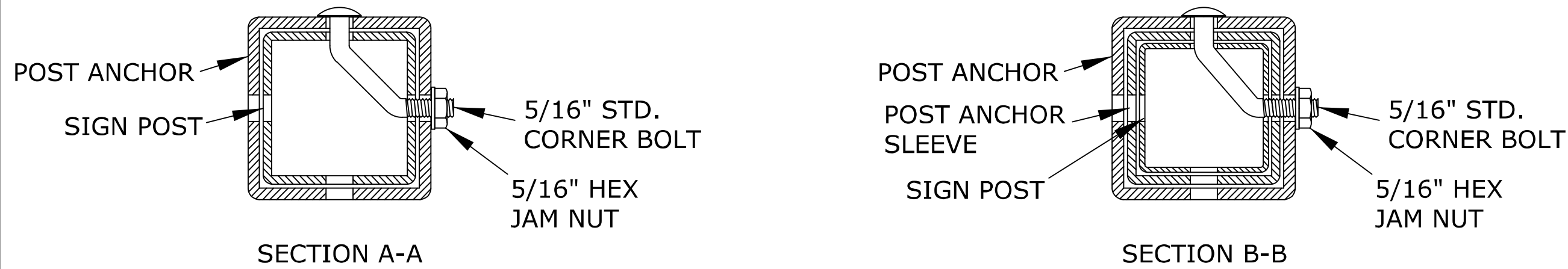
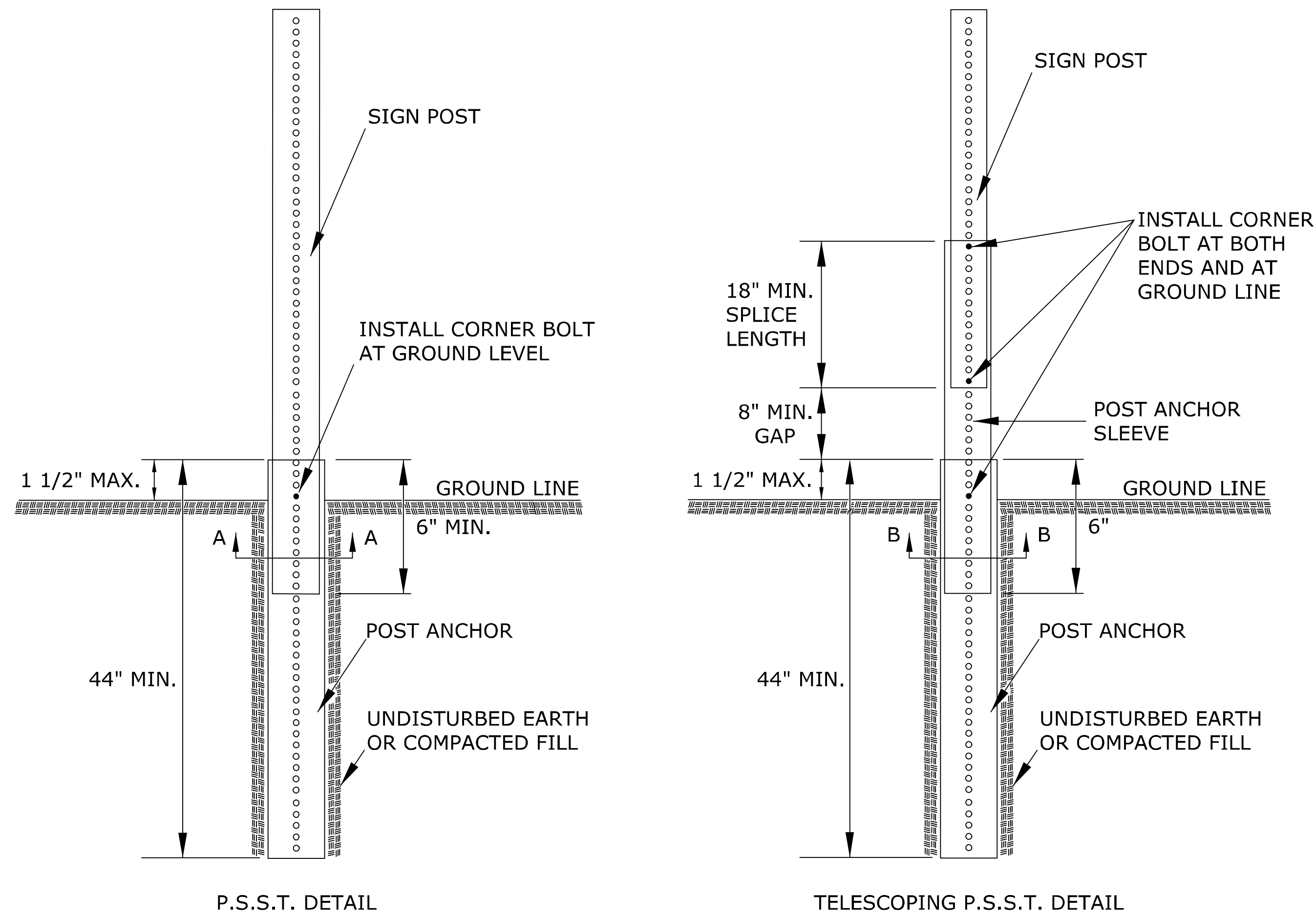
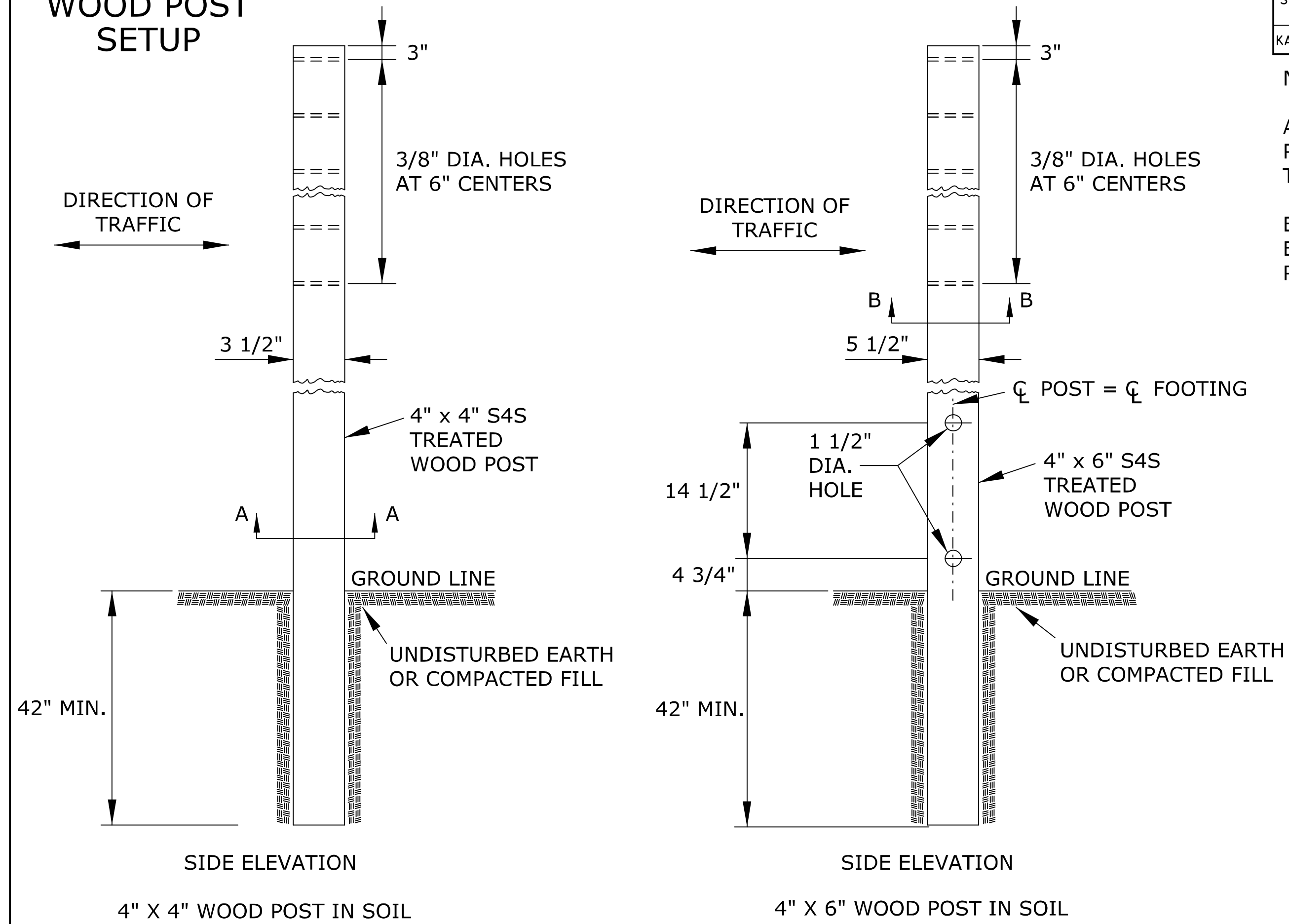


PERFORATED SQUARE STEEL TUBE (P.S.S.T.) POST SETUP

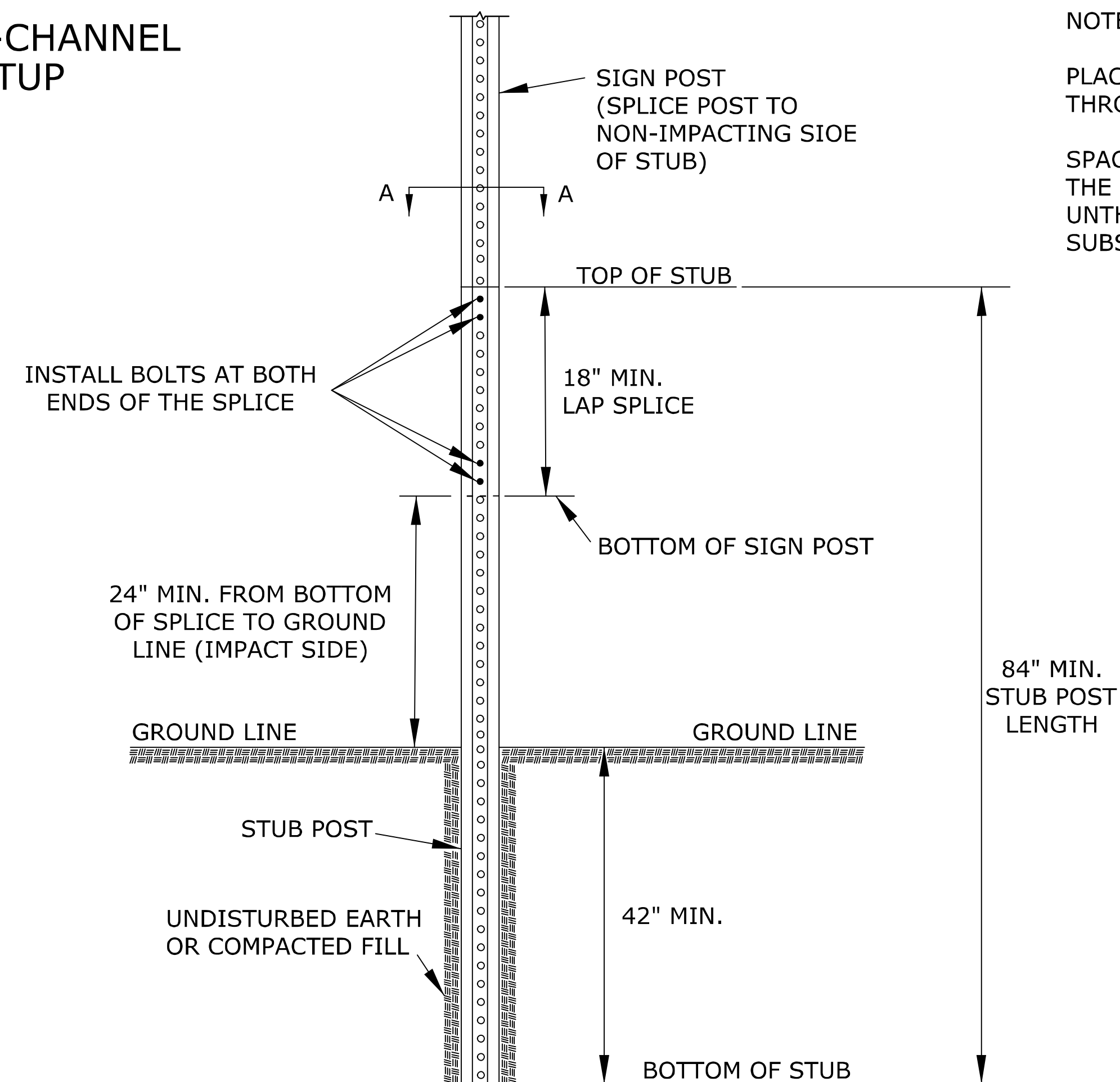


DETAILS FOR 2\", 2 1/4\", OR 2 1/2\" SIGN POST
PLACE BOLTS IN THE SAME CORNER ALONG EACH SIGN POST.

WOOD POST SETUP

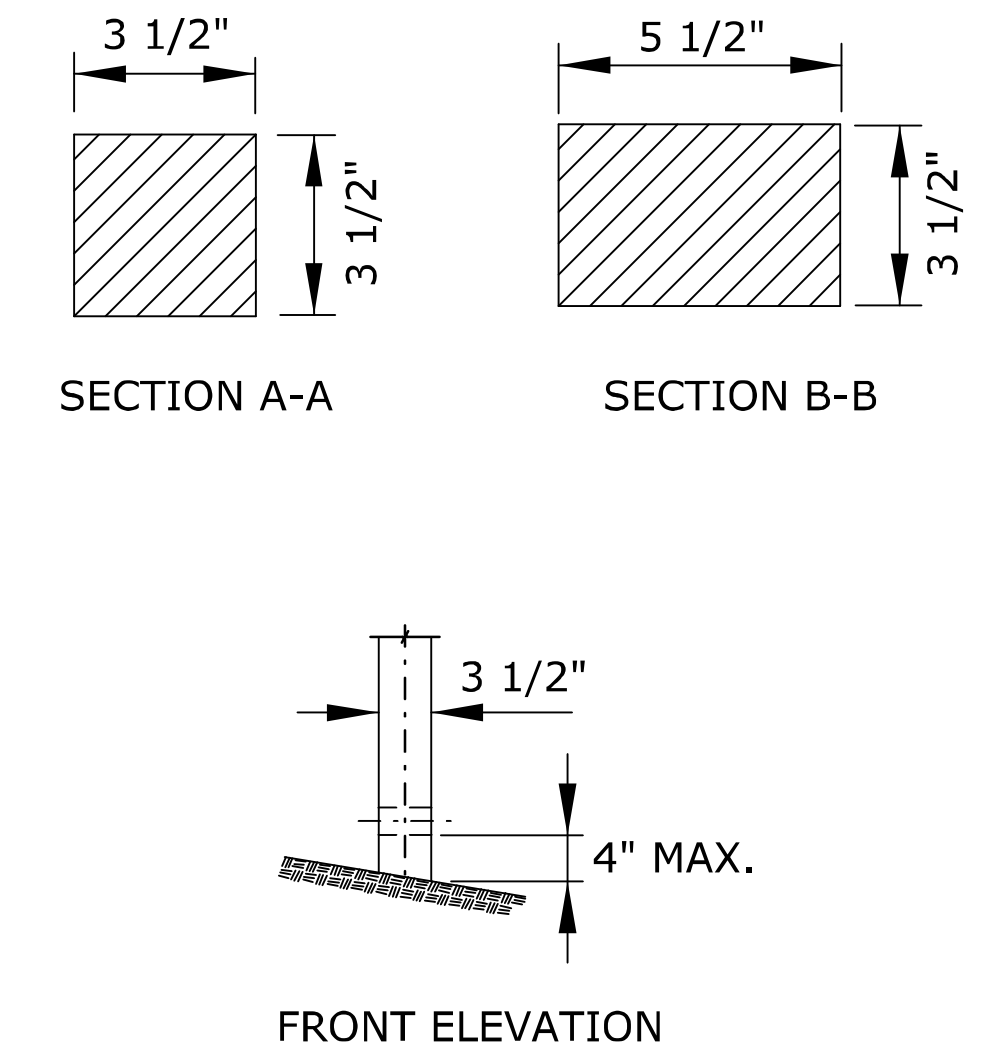


3 LB/F U-CHANNEL SETUP

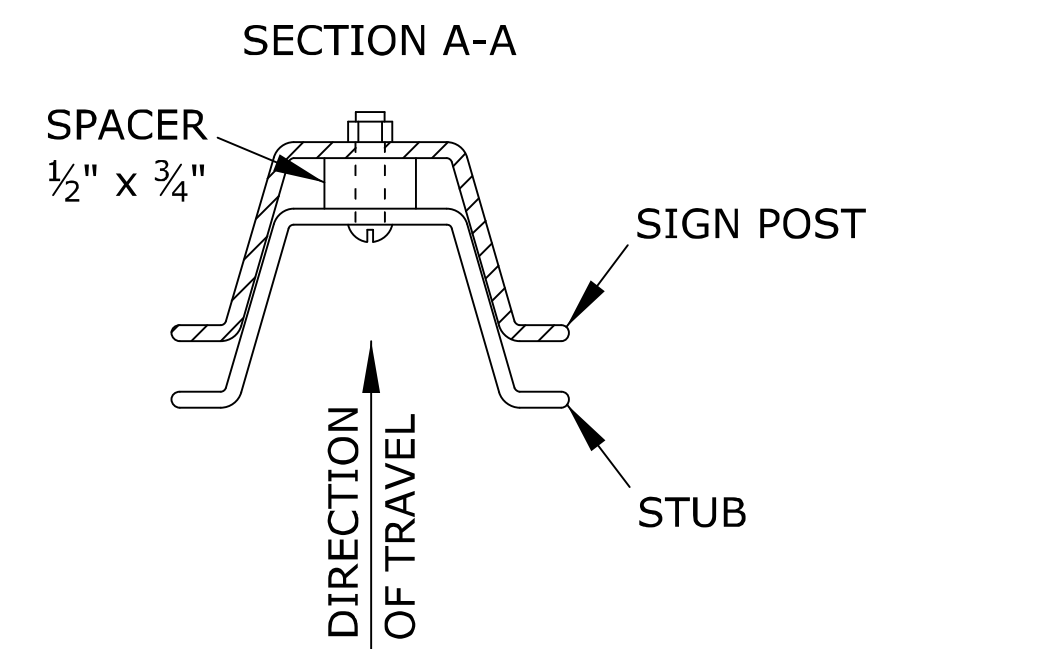


STATE	PROJECT NO.	YEAR	SHEET NO.	TOTAL SHEETS
KANSAS		2013	111	119

NOTES:
ALL SIGN MOUNTING HOLES IN THE WOOD POSTS SHALL BE DRILLED PRIOR TO TREATING.
BREAKAWAY HOLES AND FIELD CUTS SHALL BE TREATED IN ACCORDANCE WITH THE PRESERVATIVE TREATMENT SPECIFICATIONS.



NOTES:
PLACE TWO BOLTS AT BOTH ENDS OF THE SPLICE THROUGH THE HOLES NEAREST THE ENDS OF THE SPLICE.
SPACERS WILL BE USED OVER THE BOLTS BETWEEN THE SPLICED PIECES OF U-CHANNEL. THREADED OR UNTHREADED SPACERS MAY BE USED. DO NOT SUBSTITUTE PIPE OR OTHER "ITEMS" FOR THE SPACERS.



NO.	DATE	REVISIONS	BY	APP'D
3	10/16/12	Added Spacer Dimension, Removed PSST Note	J.A.M.	K.P.
2	10/4/11	Removed Washer on PSST Detail	J.A.M.	K.P.
1	6/1/10	Modified Post Anchor Sleeve Dimension	J.A.M.	A.A.A.

KANSAS DEPARTMENT OF TRANSPORTATION

APPROVED TEMPORARY POST SETUPS

TE712

DESIGNED	B.A.H.	APP'D	Kristina Pyle
DESIGN CK.	DETAIL CK.	QUAN. CK.	TRACE CK.