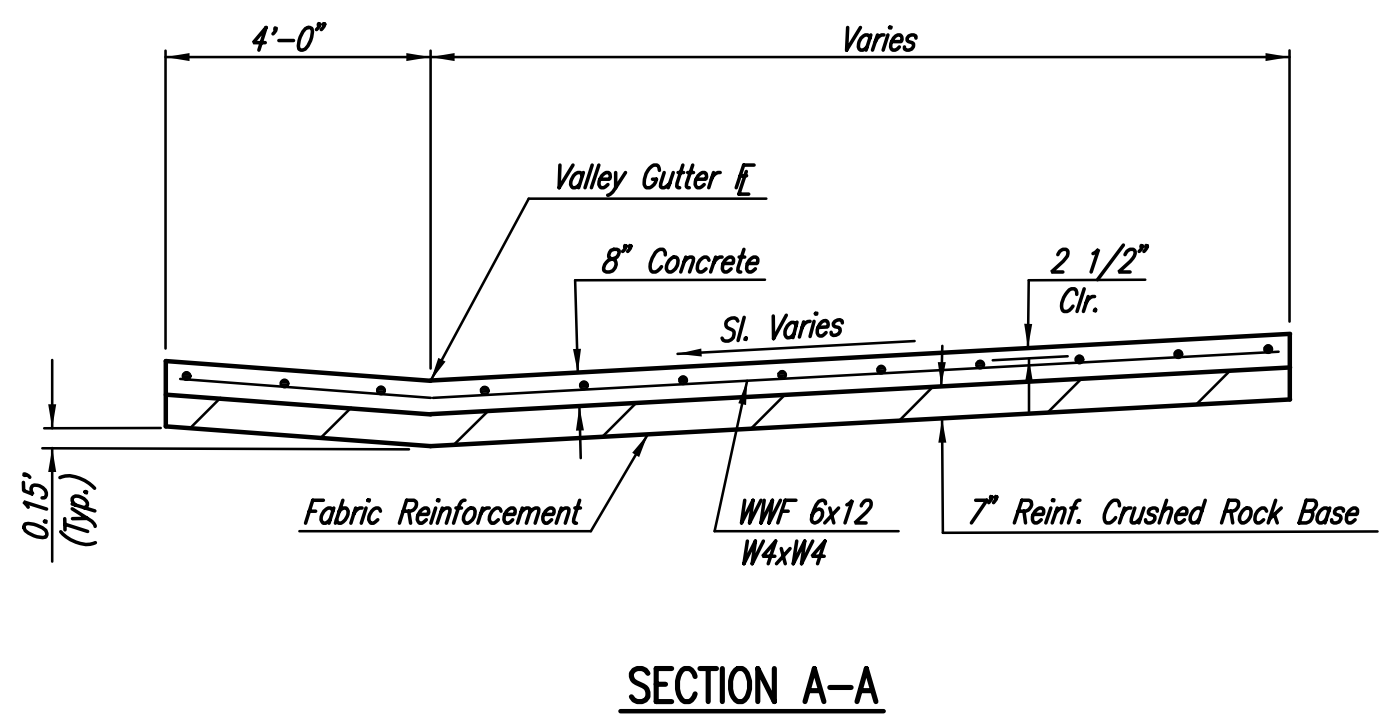
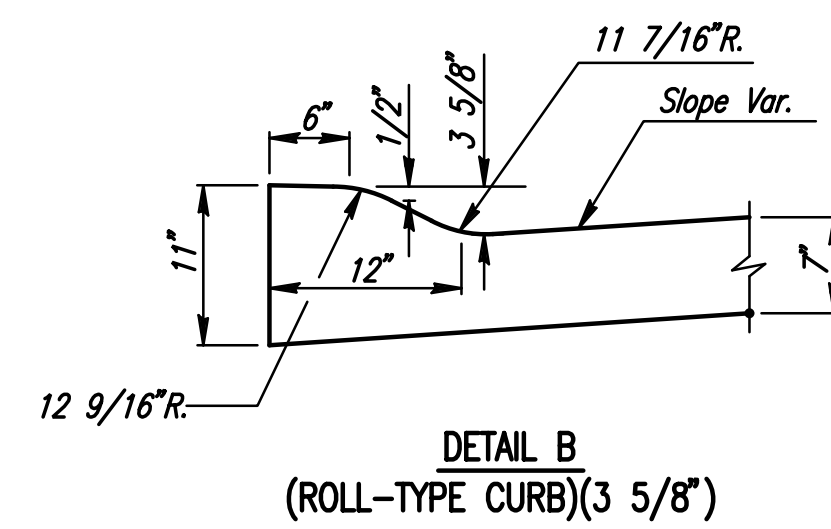
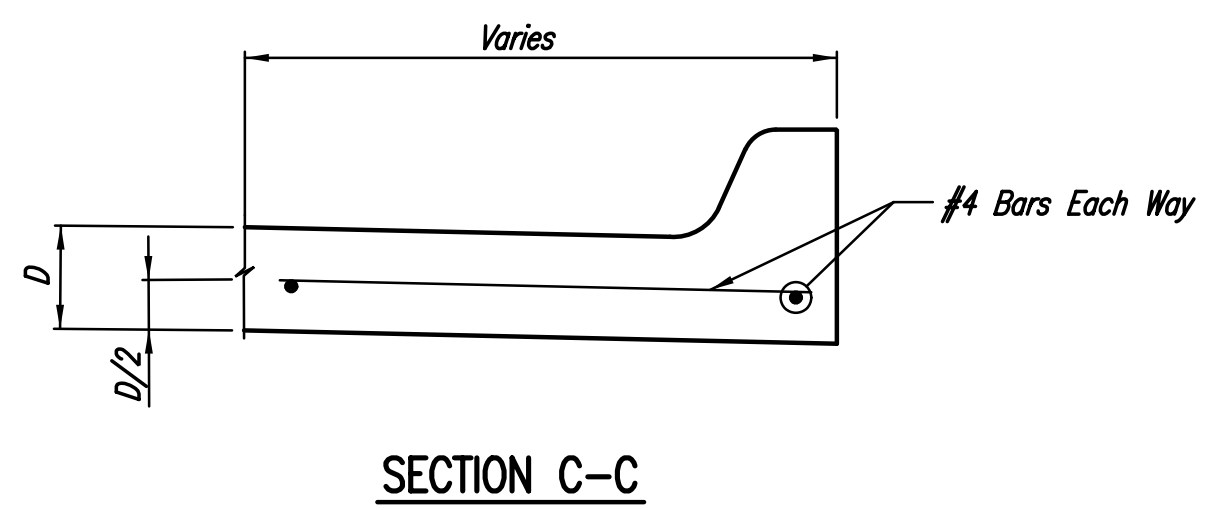
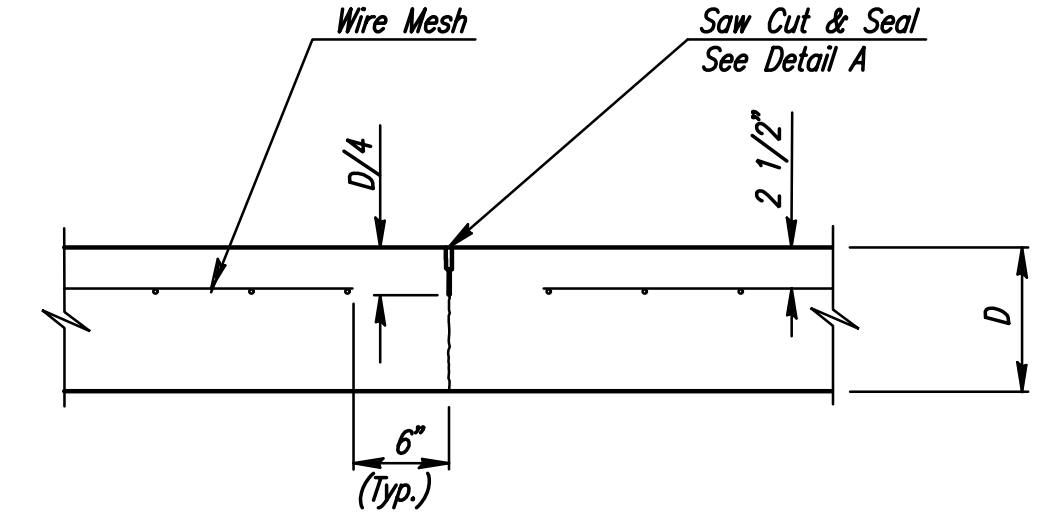


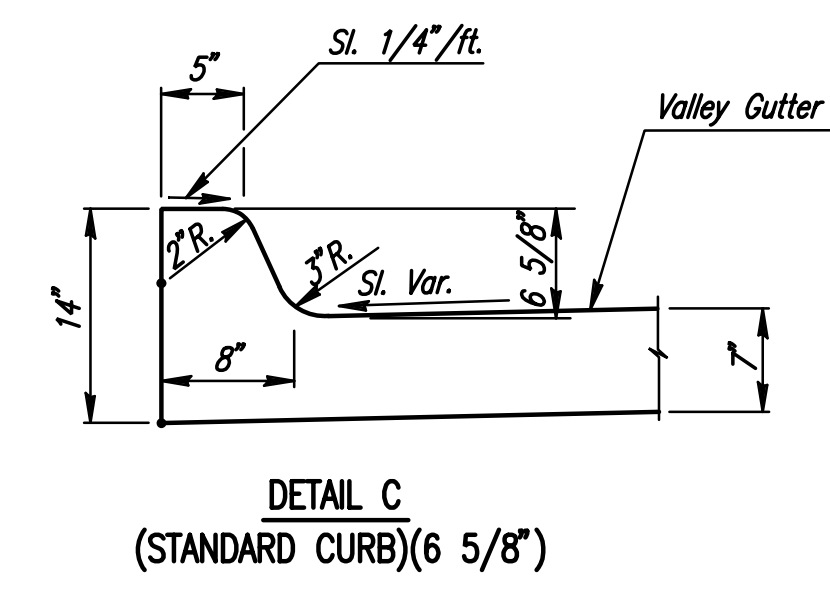
- ① To be accomplished in 2 cuts for Longitudinal Joints and Contraction Joints. Initial cut to be 1/8" wide.
- ② Eliminate bottom of cut when metal keyway is used as part of Longitudinal or Transverse Construction Joint and at Doweled Construction Joint Locations.
- ③ 1 1/2" Minimum



NOTE: OMIT REINFORCING MESH AT ALL JOINTS  
NOTE: ALL CONCRETE VALLEY GUTTER REINFORCEMENT SHALL BE ADEQUATELY SUPPORTED BY BAR CHAIRS IN THE REQUIRED POSITION UNLESS APPROVED OTHERWISE BY THE ENGINEER.



**MONOLITHIC EDGE CURB**



Plotted By: svb Date: 8/2/2011 12:25:40 PM  
FILE: I:\2010\0312\Standard\0312-valgutter\dlv8.dgn

No.	Revision	By	Date
39TH STREET & WEBB. RD.			
<b>VALLEY GUTTER DETAILS</b>			
JAMES L. ARMOUR, P.E.—CITY ENGINEER CITY OF WICHITA PROJECT NO. 472-34720			
<b>Professional Engineering Consultants, P.A.</b> 303 S. TOPEKA • WICHITA, KANSAS 67202 316-262-2691 • FAX 316-262-3003			
Designed by	DRM	Job No.	10312
Drawn by	SVB	Date	April 2011
			Sht. 8 of 31