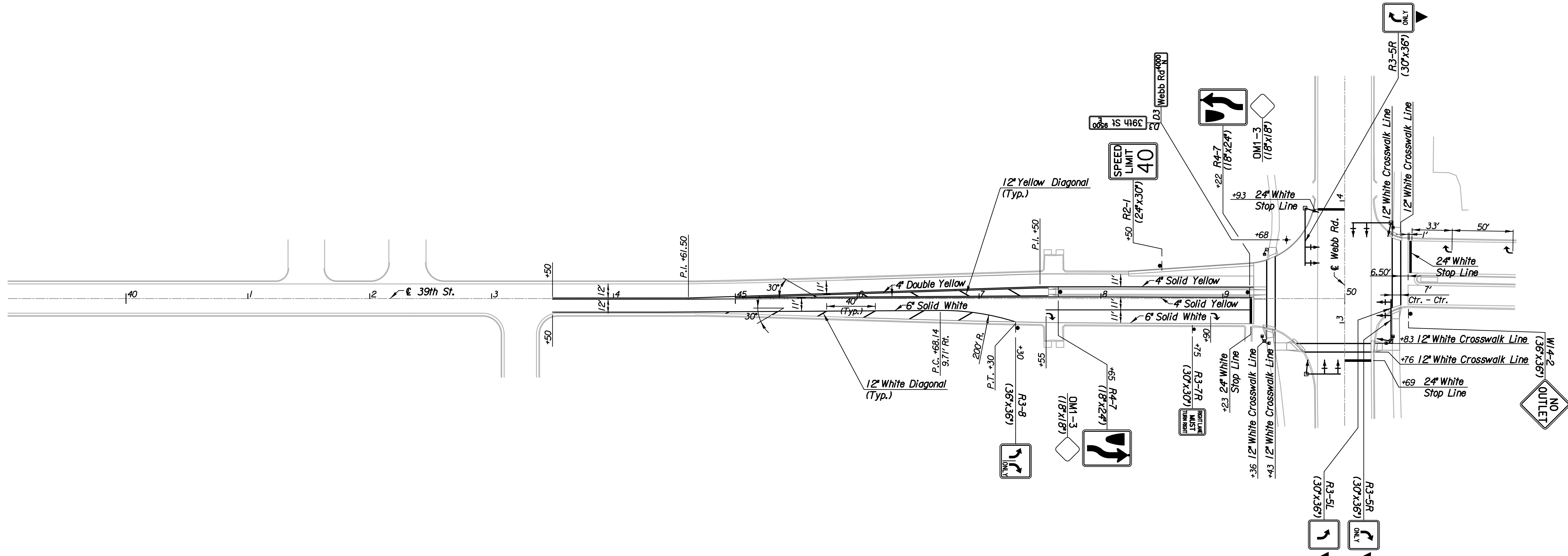
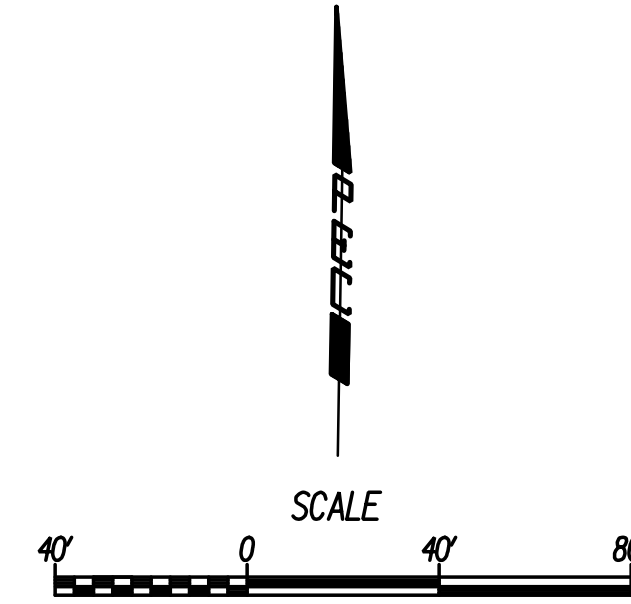


SUMMARY OF PAVEMENT MARKINGS								
6" Solid White Edge Line (ft)	6" Solid White Lane Line (ft)	12" Solid White Diagonal Line (ft)	12" Solid White Crosswalk Line (ft)	24" Solid White Stop Line (ft)	4" Solid Yellow Single Line (ft)	4" Solid Yellow Double Line (ft)	12" Solid Yellow Diagonal Line (ft)	Right Turn Arrows (each)
380	167	52	346	93	332	668	32	4



Note: Contractor shall remove existing Stop Signs prior to signal operation.

LEGEND

▼ Mount on Traffic Signal Mast Arm

Plotted By: svb Date: 8/2/2011 2:32:03 PM
 FILE: I:\2010\10312\Sign_Marking\10312-Sign_Marking.dgn

No.	Revision	By	Date
39TH STREET & WEBB. RD.			
SIGNING & MARKING PLAN			
JAMES L. ARMOUR, P.E. - CITY ENGINEER CITY OF WICHITA PROJECT NO. 472-84720			
Professional Engineering Consultants, P.A. 303 S. TOPEKA - WICHITA, KANSAS 67202 316-262-2691 • FAX 316-262-3003			
Designed by	DRM	Job No.	10312
Drawn by	SVB	Date	April 2011
			Sht. 21 of 31