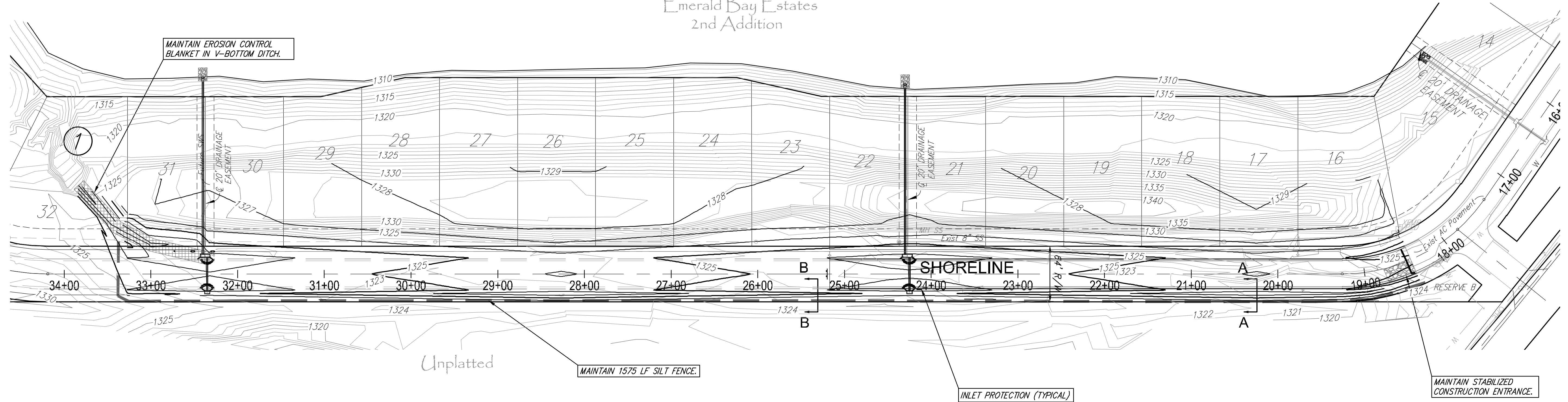
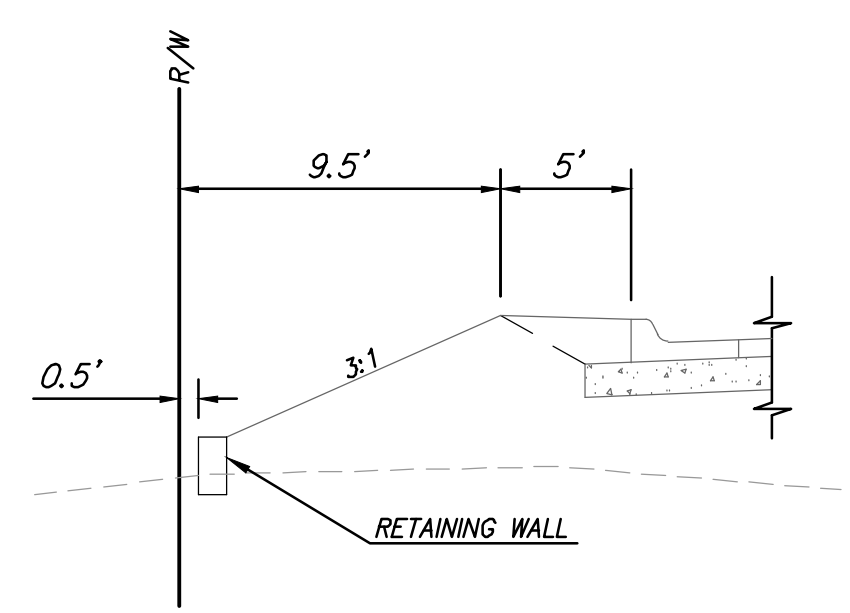


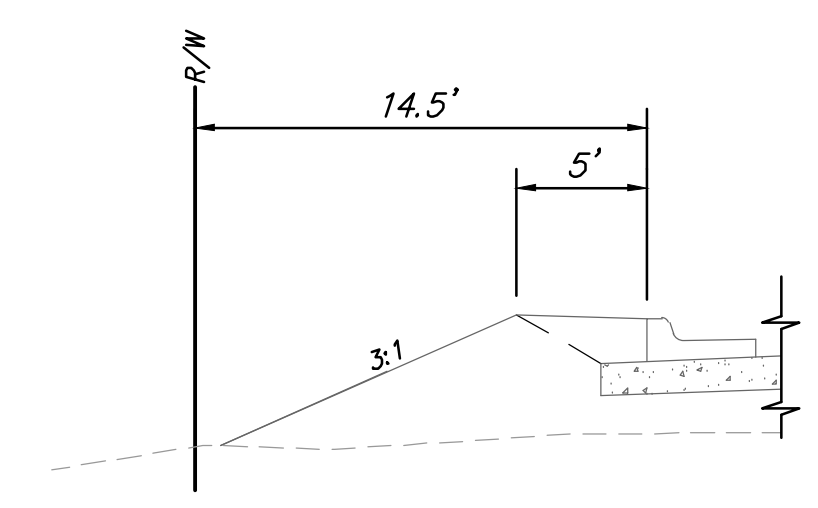
Emerald Bay Estates
2nd Addition



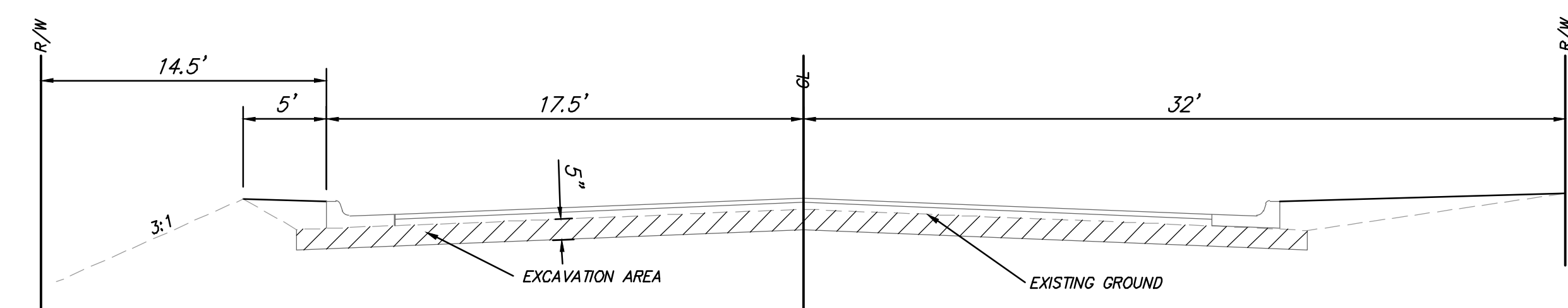
- LEGEND**
- EROSION BLANKET
 - SILT FENCE
 - CONSTRUCTION LIMITS
 - FLOW
 - INLET PROTECTION
 - AREA INLET SILT BARRIER
 - DITCH CHECK



SECTION A-A



SECTION B-B



TYPICAL 35' B-B (64' R/W) GRADING SECTION

EMERALD BAY ESTATES PHASE 3 EROSION CONTROL PLAN WICHITA, KANSAS			
	Ruggles & Bohm, P.A. Engineering, Surveying, Land Planning		DESIGN AML
	924 North Main Wichita, Kansas 67203 www.rbkansas.com		(316) 264-8008 (316) 264-4621 fax E-mail: info@rbkansas.com
DRAWING FILE ENGINEERING BASE [05 Erosion Control Plan]	PROJECT NUMBER 472-84867	DATE Oct. 8, 2012	REVIEW AML UTILITY SHEET 6 OF 12