

ST. FRANCIS HOSPITAL - 2012 SWS IMPROVEMENTS

TO SERVE

VIA CHRISTI HOSPITALS WICHITA, INC.

CITY OF WICHITA, KANSAS

GARY JANZEN, P.E. - INTERIM CITY ENGINEER

CITY OF WICHITA PRIVATE PROJECT NO. 0114 PPD (607861)

GENERAL NOTES

1. ALL CONSTRUCTION AND MATERIALS TO COMPLY WITH CITY OF WICHITA SPECIFICATIONS AND STANDARDS.
2. ALL ELEVATIONS SHOWN ARE NAVD88 DATUM.
3. CONTRACTOR WILL BE REQUIRED TO PROVIDE A MINIMUM ADVANCE NOTICE OF SEVENTY-TWO (72) HOURS TO UTILITY COMPANIES PRIOR TO STARTING ANY EXCAVATION AS FOLLOWS:

KANSAS ONE-CALL 811
CITY OF WICHITA UTILITY LOCATES WWW.WICHITA.GOV\LOCATE (268-4260)

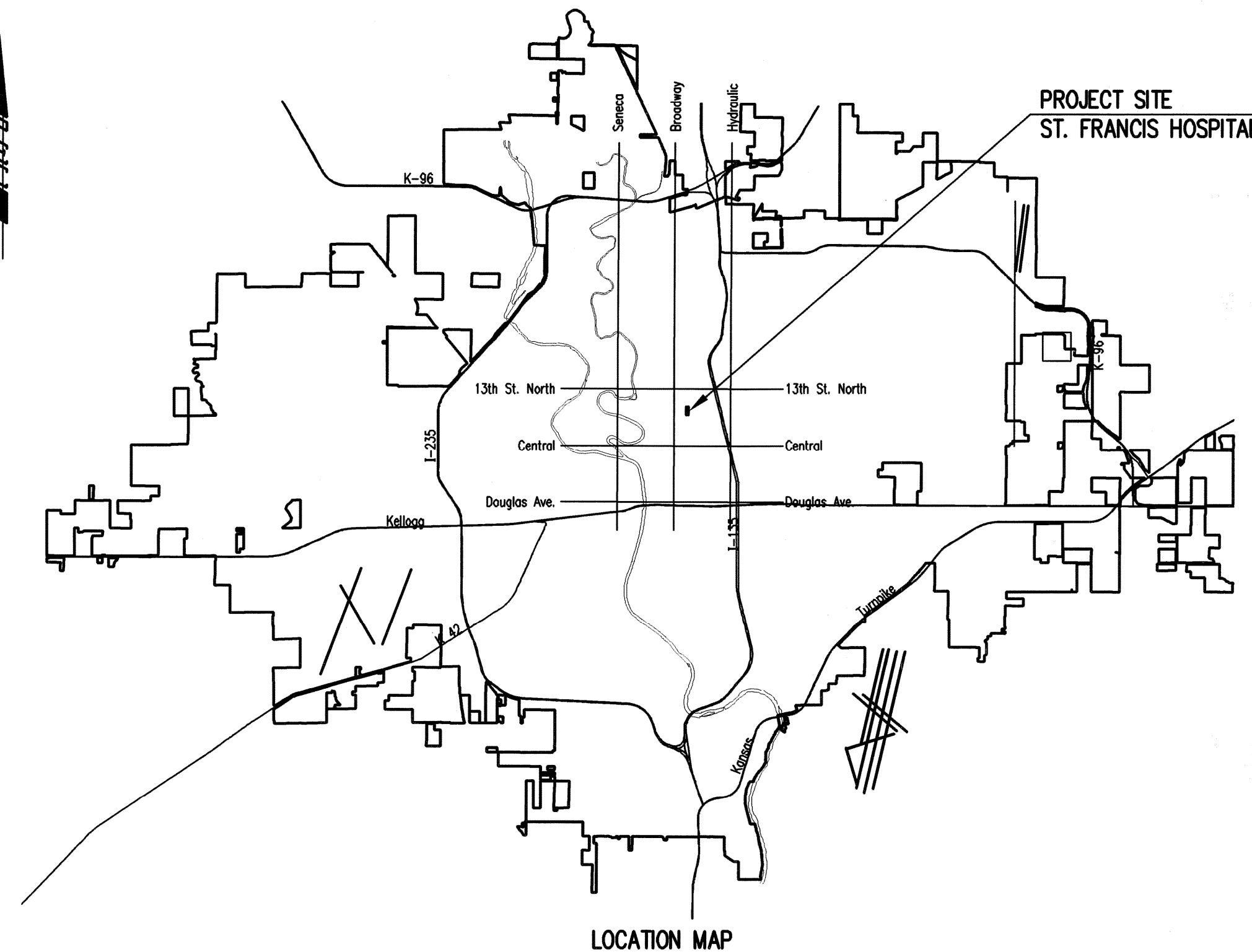
THE CONTRACTOR MUST NOTIFY THE FOLLOWING IN CASE OF AN EMERGENCY:

COX COMMUNICATIONS 1(800)-778-9140
KANSAS GAS SERVICE 1(888)-482-4950
WESTAR ENERGY 1(800)-383-1183
AT&T 1(800)-286-8313
CITY OF WICHITA WATER DEPARTMENT 262-6000
CITY OF WICHITA SEWER MAINTENANCE 262-6000

THE CONTRACTOR SHALL ALSO CONTACT THE FOLLOWING AT LEAST 72 HOURS PRIOR TO BEGINNING CONSTRUCTION:

VIA CHRISTI HOSPITALS WICHITA, INC.
ALICIA WARREN, PROJECT ENGINEER
FACILITIES MANAGEMENT
929 N. ST. FRANCIS
WICHITA, KS 67214
(316) 268-6987

4. THE CONTRACTOR SHALL VISIT THE PROJECT SITE PRIOR TO SUBMITTING THE PROPOSAL FOR THIS WORK SO THAT THEY WILL BE FULLY INFORMED OF THE EXISTING FIELD CONDITIONS AND THE OBSTACLES WHICH MIGHT BE ENCOUNTERED. UPON AWARD OF THE CONTRACT THE CONTRACTOR WILL NOT BE GRANTED ANY ADDITIONAL COMPENSATION WITH REGARDS TO TIME AND MONEY FOR CONDITIONS THAT MAY HAVE BEEN EVALUATED DURING AN INSPECTION OF THE SITE.
5. THE CONTRACTOR SHALL NOT START WORK ON THE PROJECT UNTIL THE INSPECTOR IS ASSIGNED AND IS PRESENT ON THE SITE. ANY WORK PERFORMED WITHOUT INSPECTION WILL BE UNCOVERED FOR INSPECTION.
6. THE CONTRACTOR SHALL BE RESPONSIBLE FOR PRESERVING PROPERTY IRONS. THE CONTRACTOR WILL BE REQUIRED TO RE-ESTABLISH ANY PROPERTY IRONS WHICH ARE DAMAGED OR DESTROYED BY HIS CONSTRUCTION OPERATIONS. SUCH IRONS SHALL BE RE-ESTABLISHED BY A LICENSED LAND SURVEYOR IN ACCORDANCE WITH STATE LAWS.
7. RUBBLE FROM THE REMOVAL OF MISCELLANEOUS STRUCTURES INCLUDING ANY TREES REMOVED, TREE TRIMMINGS, AND EXCESS EXCAVATION WHICH IS TO BE WASTED SHALL BE DISPOSED OF ON SITES PROVIDED BY THE CONTRACTOR. THESE SITES SHALL ALSO BE APPROVED BY THE ENGINEER AS TO SUITABILITY, APPEARANCE, AND SITE LOCATION. LOCATIONS THAT, IN THE OPINION OF THE ENGINEER, WILL LEAVE AN UNSIGHTLY APPEARANCE WILL NOT BE APPROVED. ALL DISPOSAL SITES MUST BE APPROVED BY THE KANSAS DEPARTMENT OF HEALTH AND ENVIRONMENT. MATERIAL EITHER STOCKPILED OR DISPOSED OF IN A FLOOD PLAIN WILL REQUIRE A KANSAS STATE BOARD OF AGRICULTURE PERMIT. ANY MATERIAL DUMPED IN WATERS OF THE UNITED STATES OR WETLANDS IS SUBJECT TO U.S. CORPS OF ENGINEERS PERMITTING REGULATIONS. ANY MATERIAL BURIED OR STOCKPILED BEYOND APPROVED CONSTRUCTION LIMITS MAY REQUIRE ARCHAEOLOGICAL INVESTIGATIONS UNLESS BURIED IN A PREVIOUSLY APPROVED DISPOSAL LOCATION.
8. EXISTING UTILITIES AND THEIR LOCATIONS, AS SHOWN ON THE PLANS, REPRESENT THE BEST INFORMATION OBTAINABLE FOR THE DESIGN. THE CONTRACTOR WILL BE REQUIRED TO WORK AROUND EXISTING UTILITIES WHICH DO NOT CONFLICT WITH PROPOSED CONSTRUCTION. WHERE THE IMPROVEMENTS CROSS EXISTING PUBLIC OR PRIVATE UTILITIES WHICH ARE NOT TO BE ADJUSTED BY OTHERS, THE CONTRACTOR SHALL PROVIDE THE MATERIAL AND MEANS TO PROTECT AND SUPPORT SAID UTILITIES DURING CONSTRUCTION.
9. THE CONTRACTOR SHALL PROVIDE A FULL DEPTH SAW CUT AT THE LIMITS OF CONSTRUCTION. CONTRACTOR SHALL ALSO PROVIDE AN EXPANSION JOINT AT THE LIMITS OF CONSTRUCTION WHEN ADJACENT TO EXISTING CONCRETE CURB AND GUTTER, UNLESS OTHERWISE SPECIFIED.
10. EASEMENTS AND RIGHTS-OF-WAY PROVIDED BY THE OWNER FOR THE PROJECT ARE SHOWN ON THE PLANS. THE CONTRACTOR SHALL BE RESPONSIBLE FOR THE ACQUISITION OF ANY ADDITIONAL TEMPORARY EASEMENTS OR RIGHTS-OF-WAY THAT HE DESIRES TO USE IN COMPLETING THE WORK.
11. THE CONTRACTOR SHALL EXERCISE EXTREME CAUTION UPON EXCAVATING OVER OR IN THE PROXIMITY OF THE EXISTING WATER MAINS AND SERVICES. CONTRACTOR SHALL PROTECT SAID WATER MAINS AND SERVICES FROM DAMAGE. CONTRACTOR SHALL ALSO ADJUST ANY WATER VALVE BOXES TO MATCH THE FINISHED GRADE SURFACE. ANY REPAIRS RESULTING FROM PROJECT CONSTRUCTION SHALL BE THE RESPONSIBILITY OF THE CONTRACTOR.
12. THE LUMP SUM BID ITEM FOR "SITE PREPARATION AND RESTORATION" SHALL INCLUDE, BUT NOT BE LIMITED TO CONSTRUCTION STAKING, MOBILIZATION, REMOVAL OF MINOR OBSTRUCTIONS, REMOVAL AND SALVAGE OR RELOCATION OF CONFLICTING PRIVATE IMPROVEMENTS WITHIN THE PROJECT AREA, SEEDING/SODDING AND MULCHING, MINOR SHAPING OF SLOPES FOR FINISHED APPEARANCE, REMOVAL OF CONSTRUCTION DEBRIS AND GENERAL CLEAN-UP.
13. THE CONTRACTOR SHALL SECURE THE WORK AREAS EACH EVENING SO AS NOT TO PRESENT A SAFETY HAZARD TO THE PUBLIC. THIS IS AN EMERGENCY ROOM ACCESS ROAD. EMERGENCY VEHICLE ACCESS SHALL BE MAINTAINED AT ALL TIMES DURING CONSTRUCTION.
14. CONTRACTOR SHALL PROVIDE POSITIVE DRAINAGE AWAY FROM ALL MANHOLE COVERS UNLESS OTHERWISE NOTED ON THE GRADING PLAN.
15. ALL LAWN/TURF AREAS DISTURBED BY CONSTRUCTION OF THE PROPOSED IMPROVEMENTS SHALL BE RESTORED IN ACCORDANCE WITH THE LANDSCAPE PLAN. RESTORATION OF DISTURBED AREAS SHALL INCLUDE, BUT NOT BE LIMITED TO, TOP SOIL PREPARATION, SEEDING, MULCH, AND/OR RESEEDING. ALL SEEDING/SODDING WORK SHALL BE IN ACCORDANCE WITH THE CITY OF WICHITA STANDARD SPECIFICATIONS AND THE CITY OF WICHITA ADMINISTRATIVE REGULATION NO. ARG.5 WHICH GOVERNS CLEANUP AND RESTORATION OR REPLACEMENT FOLLOWING CONSTRUCTION.
16. THE CONTRACTOR SHALL SEED ALL AREAS DISTURBED BY CONSTRUCTION ACTIVITIES WITH TEMPORARY RYE GRASS. RYE GRASS SEED SHALL BE PLANTED AT A MINIMUM RATE OF SIX (6) POUNDS PER ONE THOUSAND (1,000) SQUARE FEET. THIS TEMPORARY SEEDING MAY BE OMITTED ONLY IF OTHER SEEDING IS REQUIRED IN ACCORDANCE WITH GENERAL NOTE NO. 11 ABOVE. TEMPORARY SEEDING OR PERMANENT SEEDING/SODDING SHALL BE APPLIED WITHIN 14 DAYS AFTER THE AREA HAS BEEN DISTURBED.
17. THE CONTRACTOR SHALL AVOID REMOVAL OR TRIMMING OF ANY TREES OR SHRUBS WHERE POSSIBLE. WHERE THE CONTRACTOR BELIEVES THE REMOVAL OR TRIMMING IS UNAVOIDABLE, HE SHALL COORDINATE SUCH WORK WITH THE ENGINEER AND/OR INSPECTOR.
18. THE CONTRACTOR SHALL INSTALL PAVEMENT MARKINGS TO MATCH EXISTING PAVEMENT MARKINGS. THIS WILL INCLUDE, BUT IS NOT LIMITED TO CROSSWALKS, CENTERLINE STRIPING AND WHEELCHAIR RAMP WING MARKING.
19. INTERURBAN TRAFFIC GENERATED OUTSIDE THE PROJECT AREA AND LOCAL BUSINESS OR RESIDENTIAL TRAFFIC GENERATED WITHIN THE PROJECT AREA ARE TO BE CARRIED THROUGH CONSTRUCTION AS FURTHER PROMULGATED BY PROJECT SPECIAL PROVISIONS. THE CONTRACTOR SHALL UTILIZE BARRICADES, SIGNS, GUARDS, AND FLAGMEN IN ACCORDANCE WITH THE MANUAL ON UNIFORM TRAFFIC CONTROL DEVICES.



INDEX OF SHEETS

1. TITLE SHEET
2. PLAN/PROFILE - SWS LINE
3. STD. TYPE 1 CURB INLET
4. PRECAST CONCRETE MANHOLE (STORM SEWER)
5. MANHOLE/INLET FRAME AND COVER (STORM SEWER)

APPROVED AS NOTED
BY CITY ENGINEER OF WICHITA

Engineering [Signature]
Stormwater [Signature] 8-20-12

NOTE TO CONTRACTORS

Inspection and testing for this project are to be provided by a Licensed Consulting Engineering Firm under contract with the Owner/Developer. Said inspection to be in accordance with the City of Wichita standard construction engineering practices and certified by a Licensed Professional Engineer. No work shall be performed in dedicated easements or public right-of-way by the Contractor without such inspection, nor shall any work be commenced without written authorization by the City Engineer.

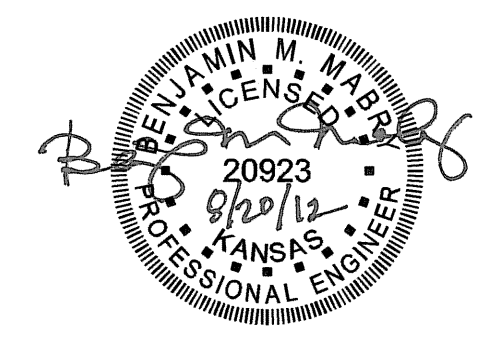
RECORD DRAWINGS

CONTRACTOR: Cornejo & Sons, LLC
INSPECTOR: Randy Follin - PEC/Allied Lab
PDF by: Rob Johnson - PEC 03/21/2013

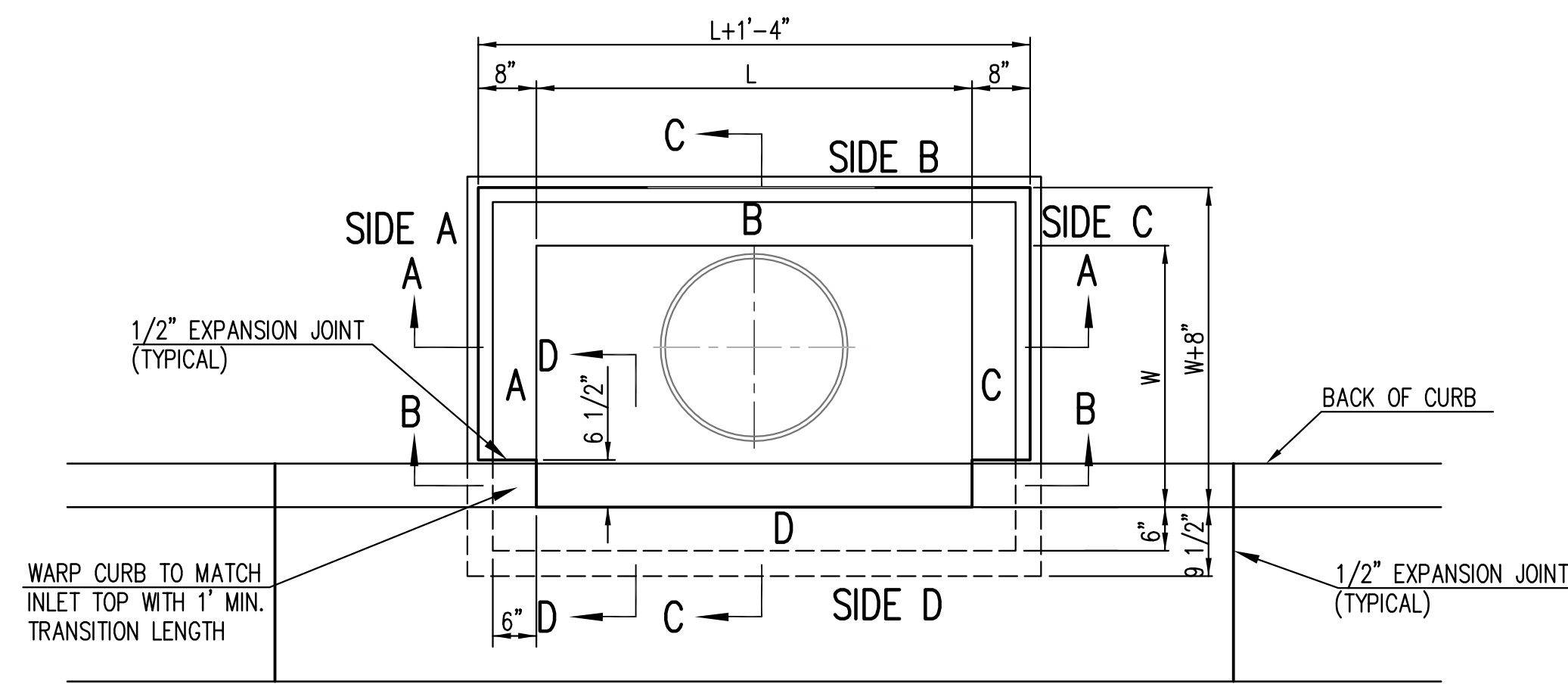
AUGUST 2012

PLANS PREPARED BY

PROFESSIONAL ENGINEERING CONSULTANTS, P.A.
ENGINEERS
WICHITA, KANSAS



Sheet 08-20-2012, 8:33:04 AM, by: BJS
 Plot Scale: 1" = 0'-0" (2012, 8:34:36 AM)
 C:\2012\12388\000\PPD\12388-01C-Title Sheet



TOP VIEW

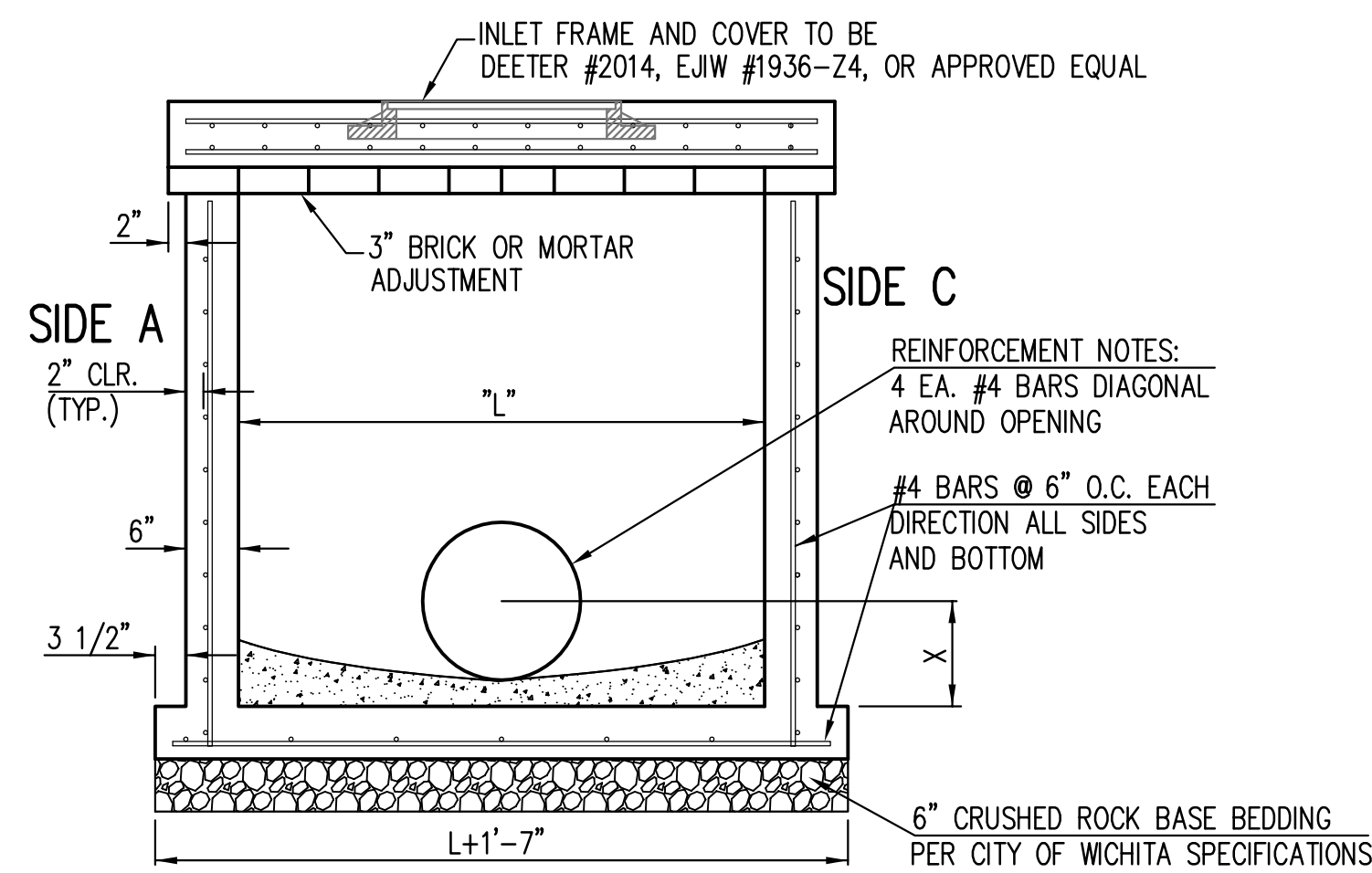
BAR SCHEDULE		
INLET OPENING	B1 BARS	SPACING
5'-0"	#4	4"
10'-0"	#6	3.5"

W	PRE-CAST TOP SIZE			PIPE DIA.**
	WIDTH	LENGTH	TOP	
3'-0"	W+8"	L+1'-4"	7 1/2"	21" & SMALLER
4'-0"	W+8"	L+1'-4"	7 1/2"	24" & 30"
5'-0"	W+8"	L+1'-4"	7 1/2"	36" & 42"
6'-0"	W+8"	L+1'-4"	7 1/2"	48" & 54"
7'-0"	W+8"	L+1'-4"	7 1/2"	60" & 66"

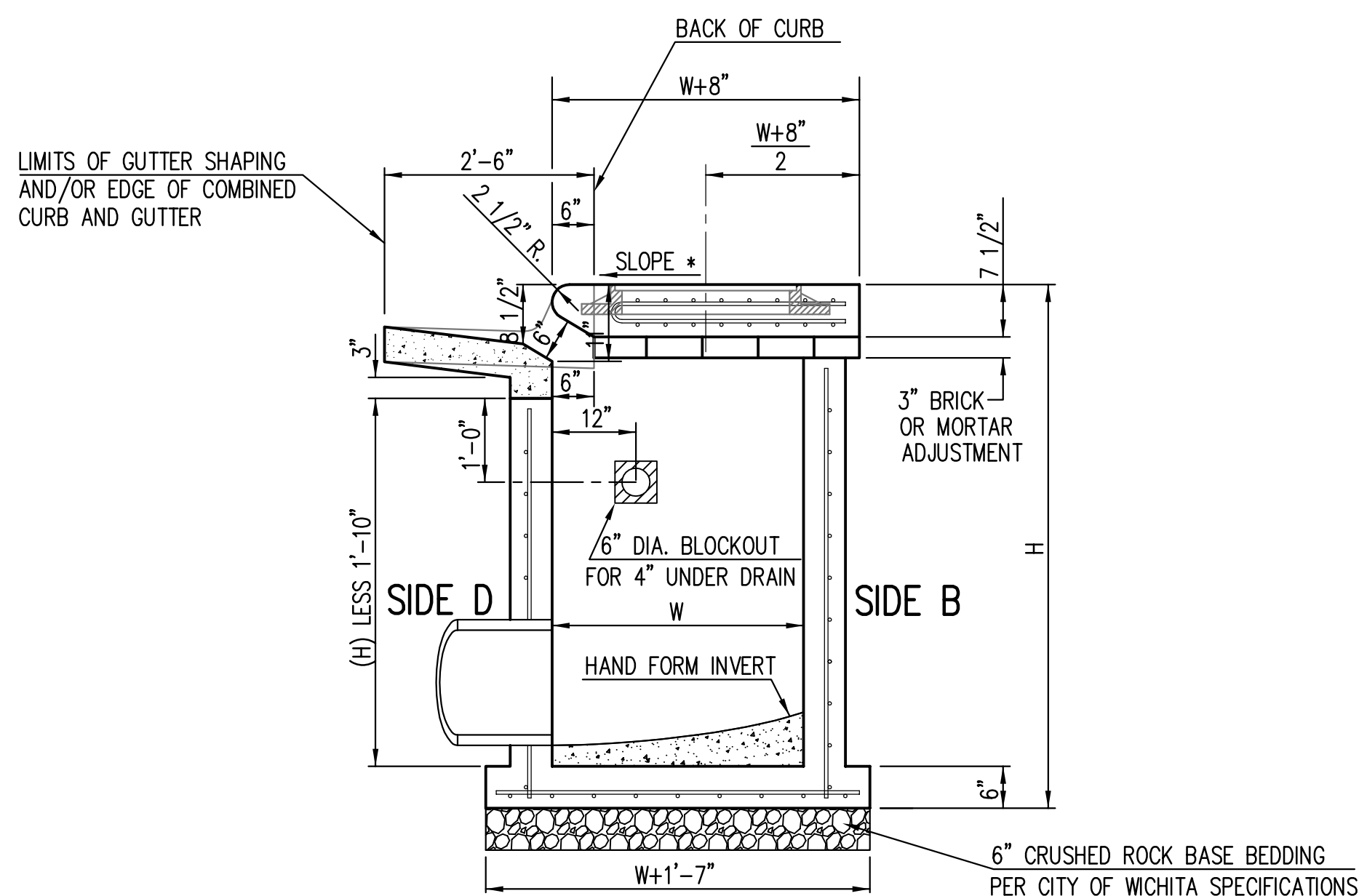
** FOR PIPES PERPENDICULAR TO INLET WALL

GENERAL NOTES

1. CONCRETE TOPS TO BE INSTALLED ON THIN MORTAR CUSHION TO INSURE FULL SUPPORT ALONG BRICK. CONCRETE TOPS MAY BE CAST IN PLACE OR PRECAST. CONCRETE USED FOR INLET CONSTRUCTION SHALL CONFORM TO CITY OF WICHITA SPECIFICATIONS FOR CONCRETE PAVEMENT MIX.
2. CONTRACTOR SHALL HAVE THE OPTION OF CONSTRUCTING 8" BRICK MASONRY WALLS BETWEEN THE CONCRETE INLET BASE AND TOP OF THIS INLET WHEN W=5'-0" AND H=7'-0" OR LESS.
3. INLET INVERT SHALL BE SHAPED WITH 8 SACK SAND MIX CONCRETE TO CREATE FLOW CHANNELS AND TO INCREASE HYDRAULIC EFFICIENCY SUCH THAT THE INLET WILL BE SELF CLEANING BETWEEN ALL INLET AND/OR OUTLET PIPES.
4. THE ENDS OF ALL PIPES INSTALLED IN INLETS SHALL BE CUT OFF FLUSH WITH THE INSIDE FACE OF THE INLET WALL.
5. INLET FRAME AND COVER TO BE DEETER #2014, EJJW #1936 Z4, OR APPROVED EQUAL, SEE SW-303.
6. CONTRACTOR SHALL REMOVE LIFTING HOOKS AFTER INSTALLATION. RECESSES IN INLET WALL SHALL BE GROUTED FLUSH TO THE INLET WALL WITH HYDRAULIC CEMENT AFTER THE INLET IS IN PLACE. LIFTING HOLES THRU THE INLET WALL WILL NOT BE ACCEPTED.

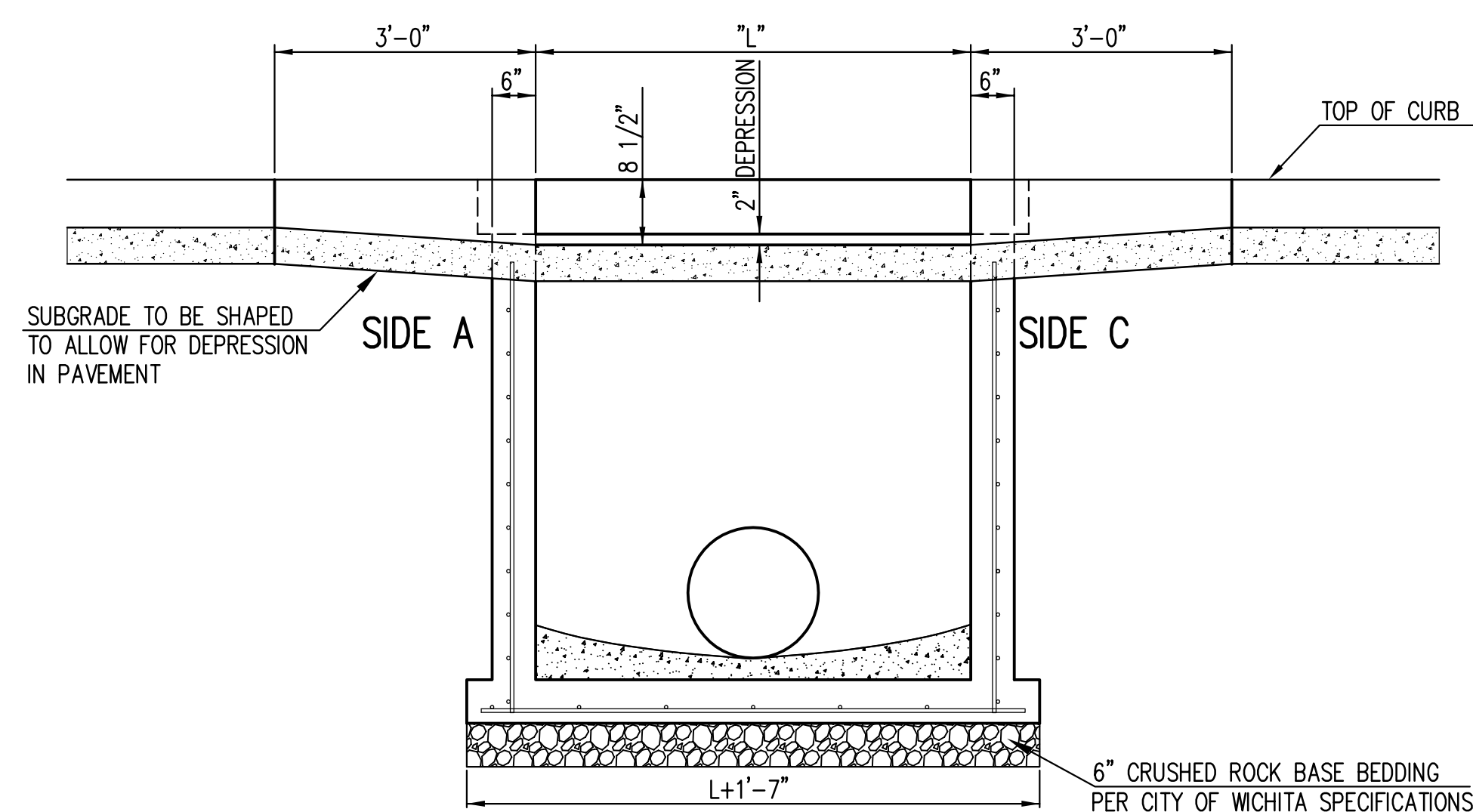
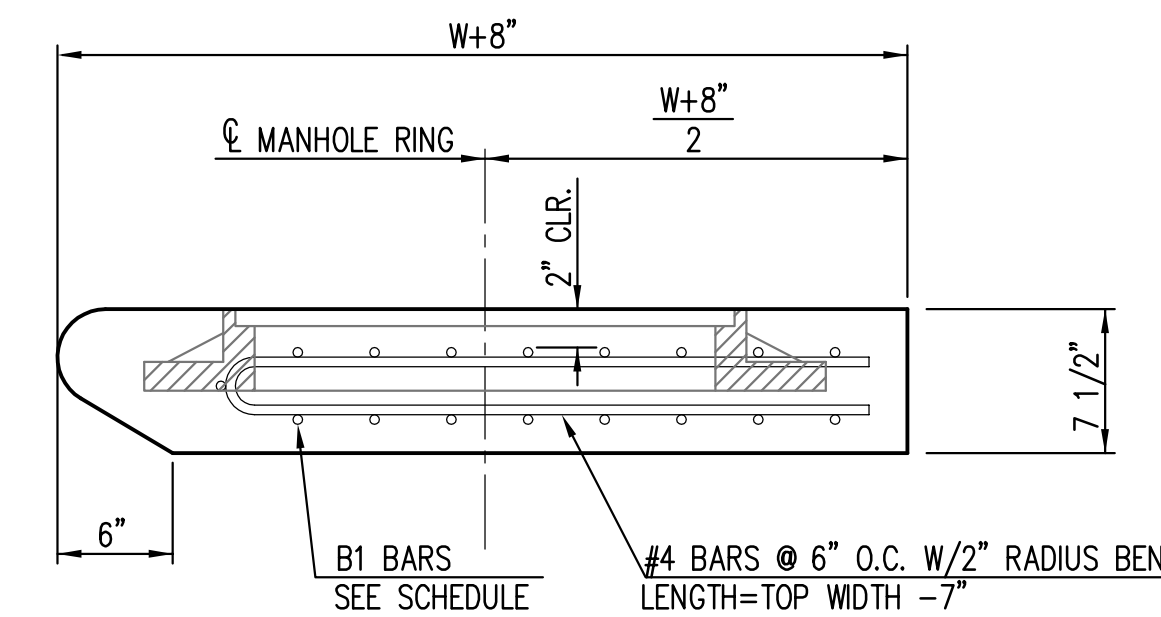


SECTION "A-A"

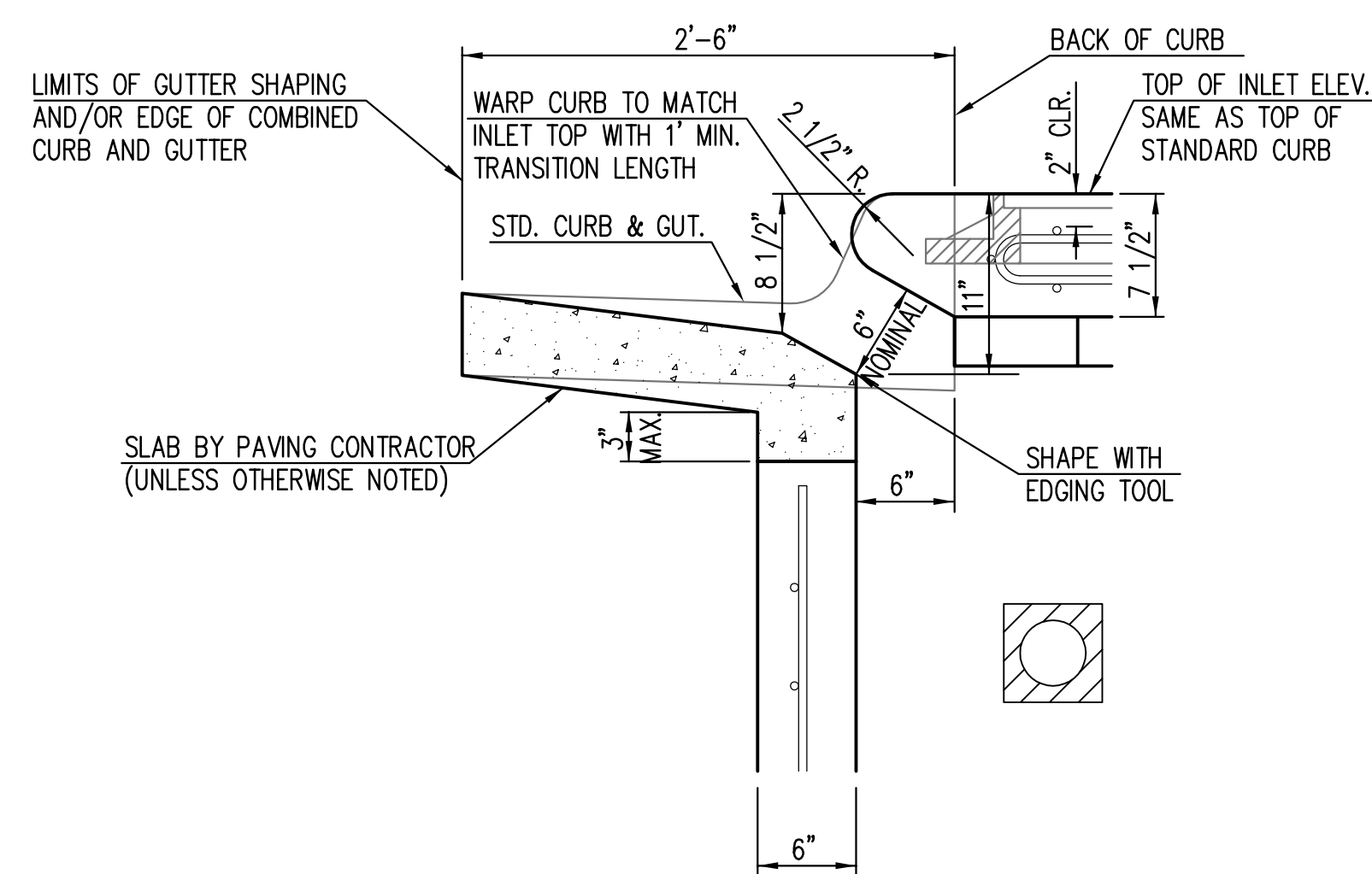


SECTION "C-C"

NOTES:
* SLOPE OF INLET TOP TO MATCH SIDEWALK OR PARKING SLOPES WITHIN LIMITS INDICATED.



SECTION "B-B"



SECTION "D-D"

Sheet 08-16-2012 11:07:02 AM by BJS
Plot Scale: 1"=20'-0" 08-16-2012 2:46:41 PM by BILL J. SEBASTIAN
Q:\2012\12388\000\PP0\12388-03-1.dwg 1 Inlet L=5' and 10'



STANDARD TYPE 1 CURB INLET
5'-0" OR 10'-0" OPENING

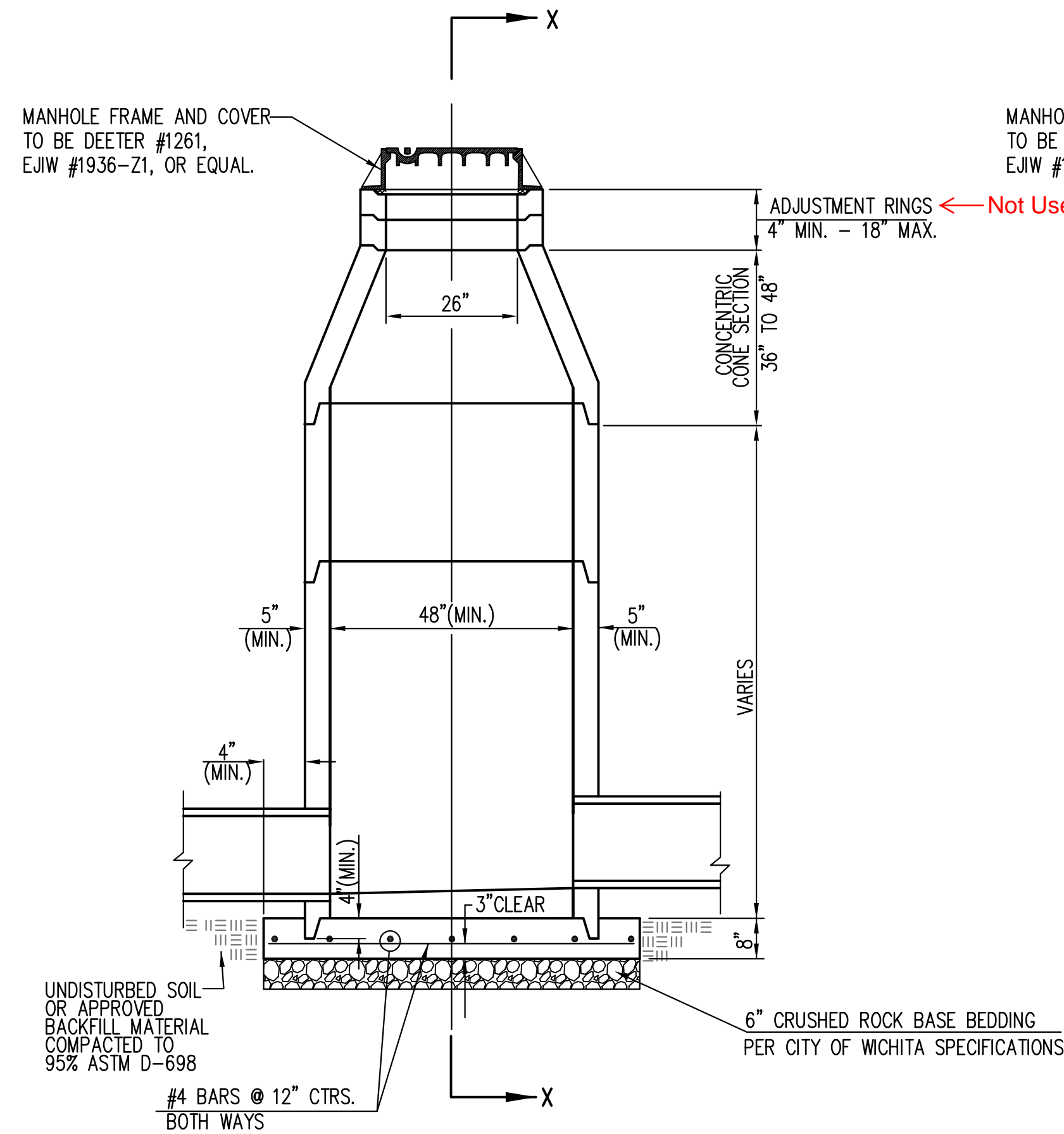
INTERIM CITY ENGINEER
GARY JANZEN, P.E.

PROJECT NUMBER	OCA NUMBER	DATE
		11/2010

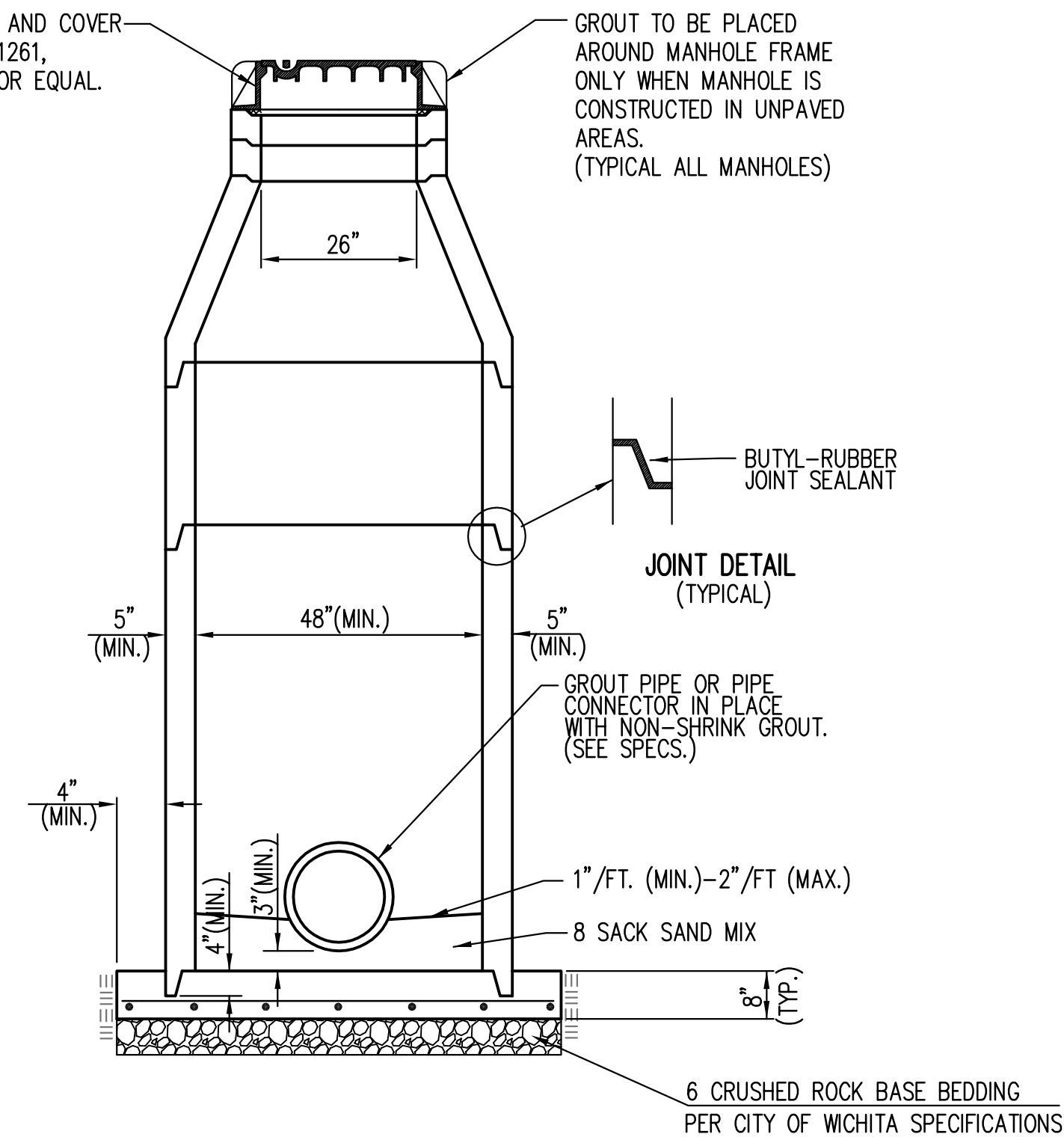
CITY ENGINEER'S OFFICE
CITY HALL - SEVENTH FLOOR
455 NORTH MAIN STREET
WICHITA, KANSAS 67202-1620
(316) 268-4501

DESIGN	DRAWN

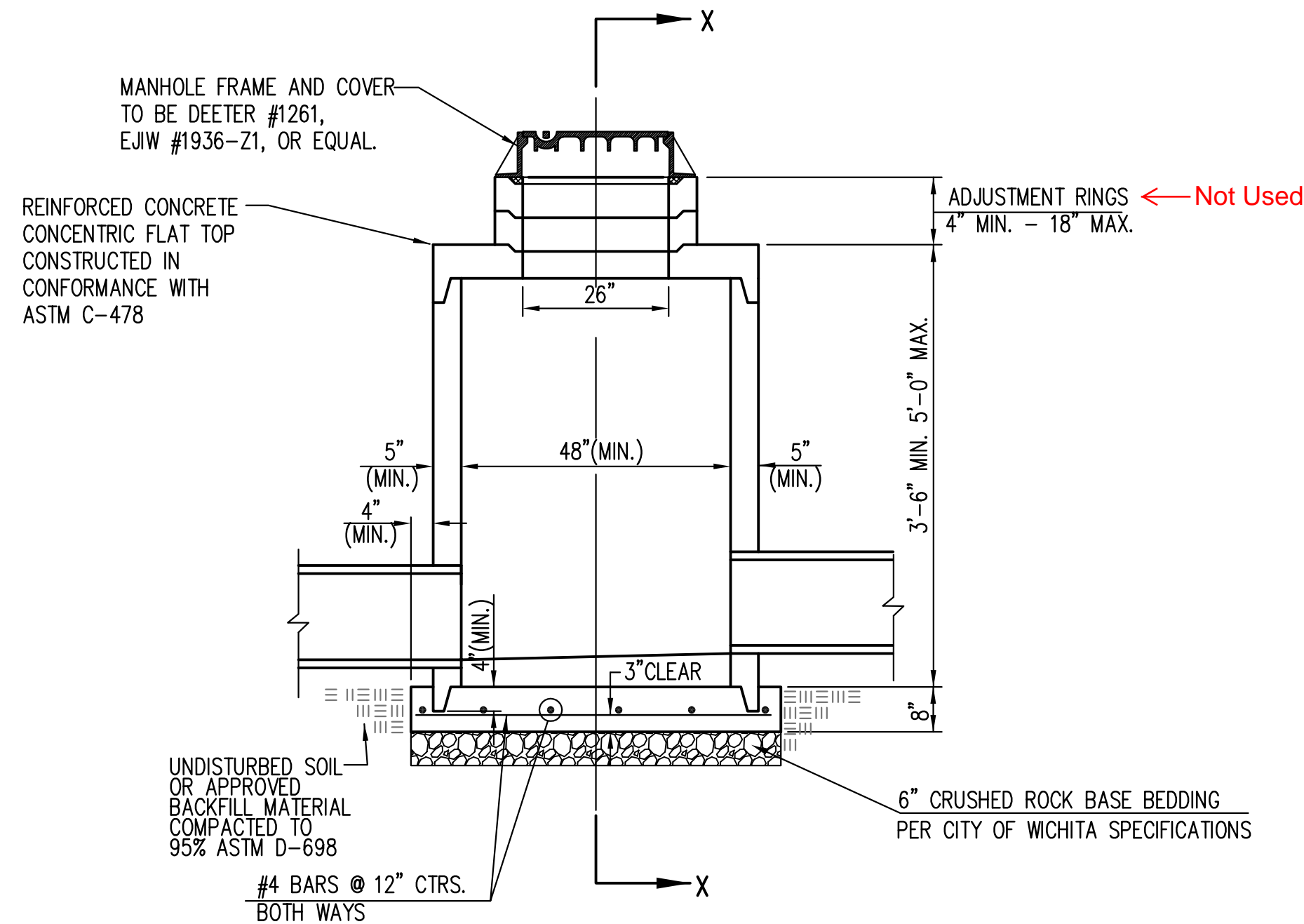
SHEET
3 of 5



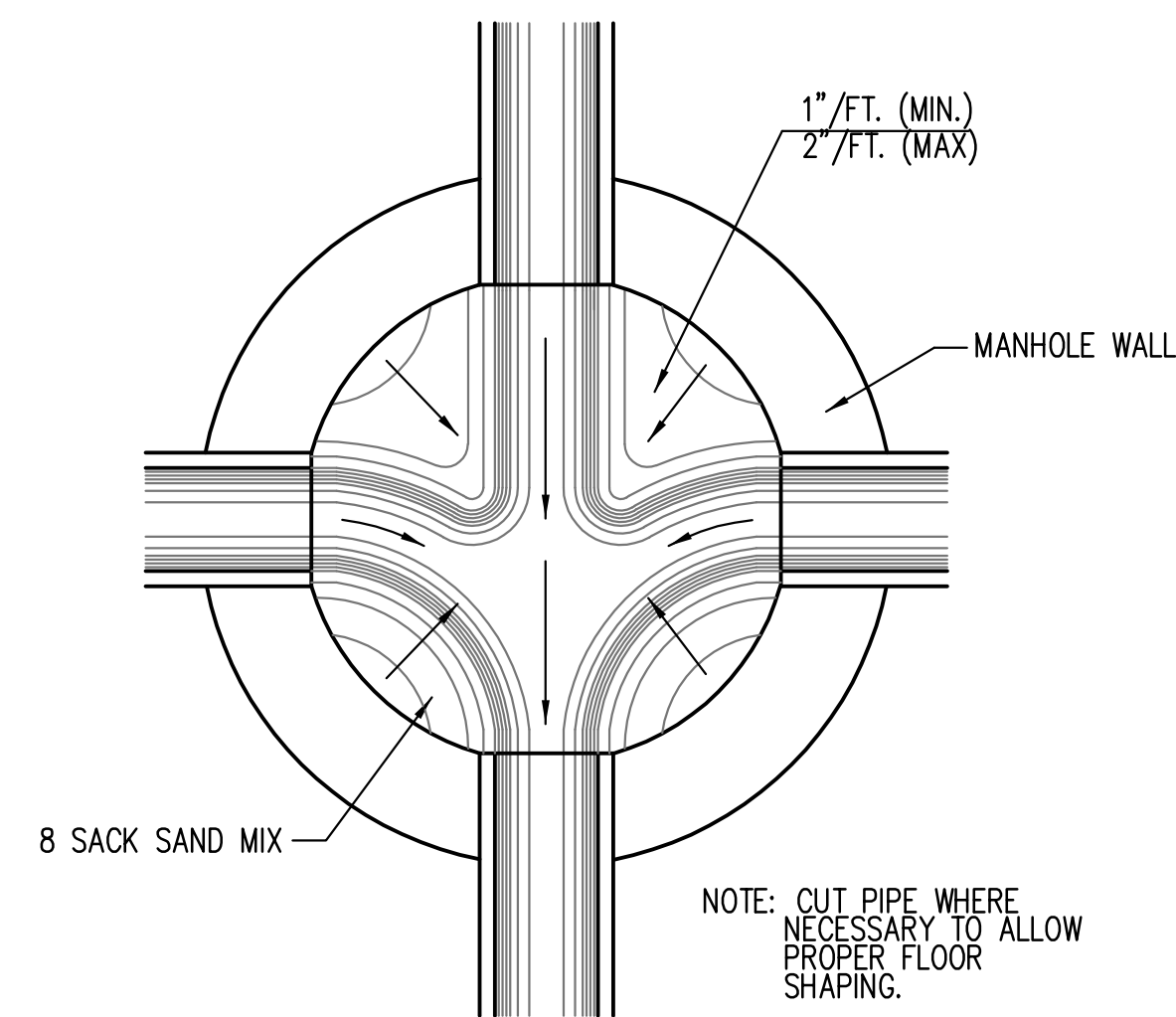
PRECAST STANDARD MANHOLE TYPE "A"



SECTION X-X (TYPICAL)



PRECAST SHALLOW MANHOLE TYPE "B"



TYPICAL MANHOLE FLOOR SHAPING

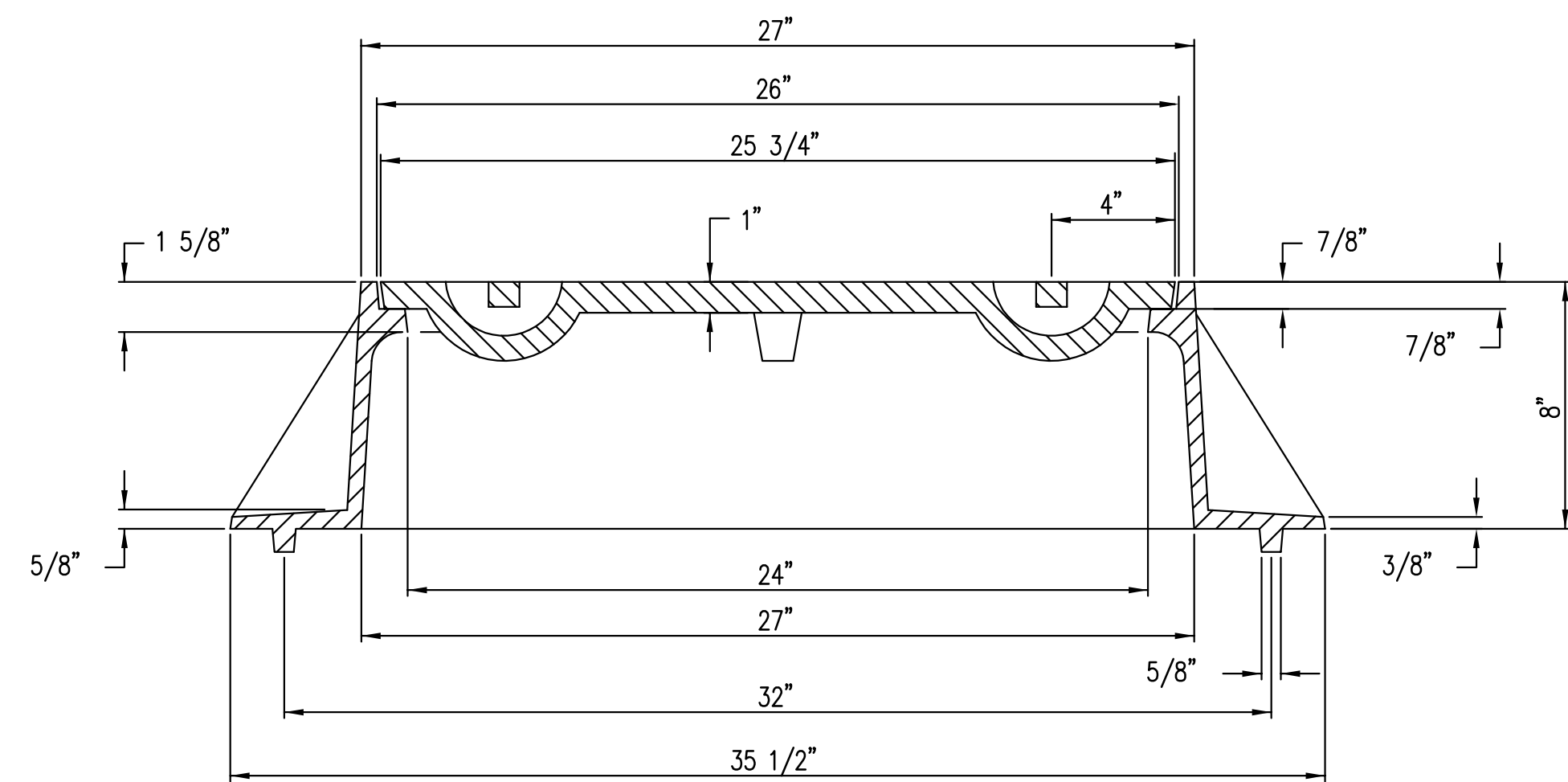
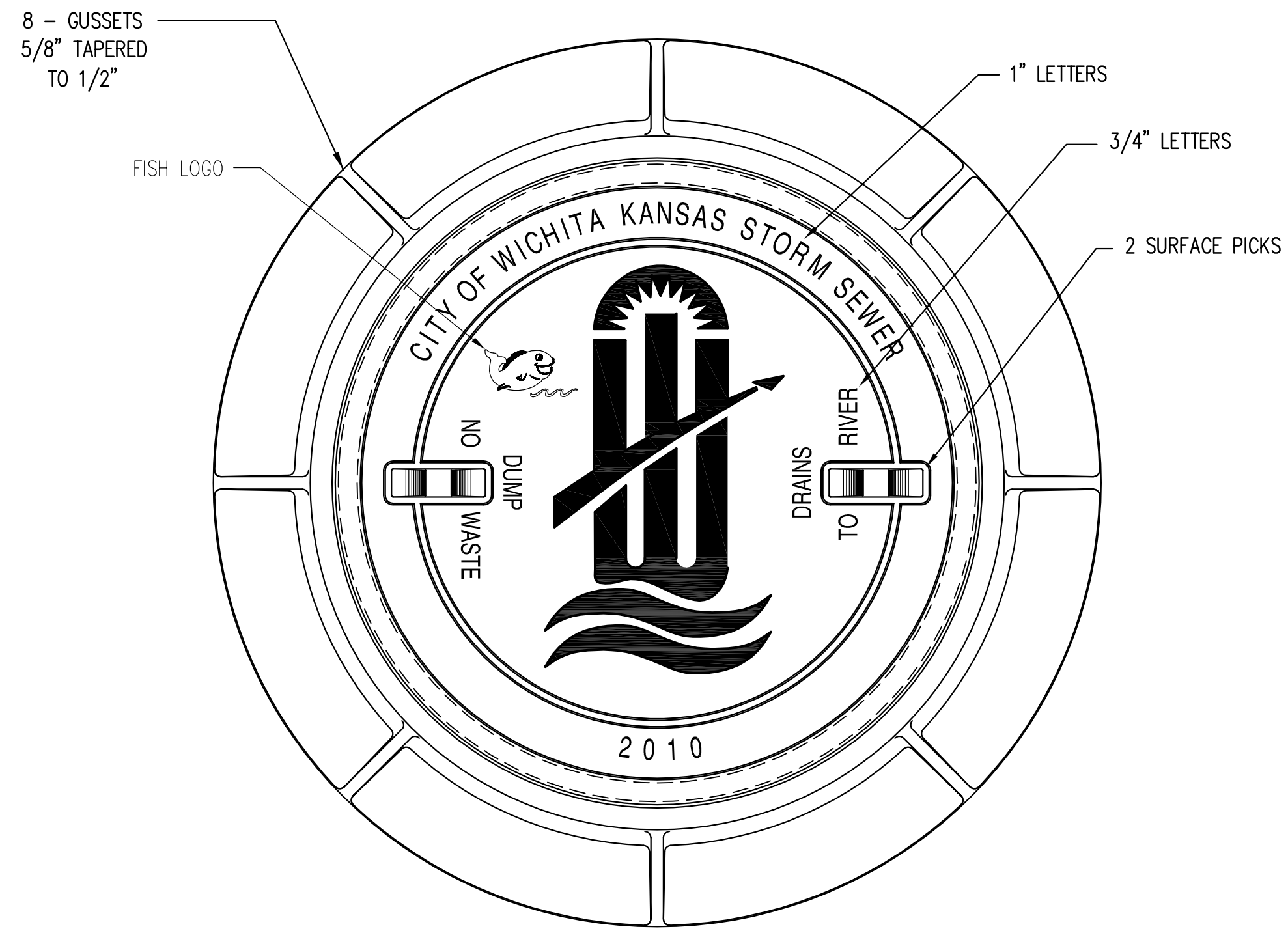
GENERAL NOTES

- IF, IN THE OPINION OF THE ENGINEER, THE MANHOLE SUBGRADE APPEARS UNSTABLE, THE CONTRACTOR WILL HAVE THE OPTION TO COMPACT SUBGRADE AS SHOWN OR INCREASE THE THICKNESS OF THE MANHOLE BASE AS DIRECTED BY THE ENGINEER.
- STEEL REINFORCING WILL BE REQUIRED IN ALL MANHOLE BASES.
- ALL MANHOLE CONSTRUCTION SHALL BE WATER TIGHT.
- TOP OF MANHOLE FLOOR SLAB SHALL BE AT LEAST 3 INCHES BELOW THE FLOW LINE OF THE OUTLET PIPE TO INSURE SUFFICIENT MINIMUM THICKNESS OF SHAPED INVERT.
- ALL PRECAST CONCRETE MANHOLE SECTIONS SHALL CONFORM TO THE LATEST REVISION OF ASTM C-478 AS MODIFIED BY THE SPECIFICATIONS.
- CONCRETE USED FOR MANHOLE CONSTRUCTION SHALL CONFORM TO CITY OF WICHITA SPECIFICATIONS FOR CONCRETE PAVEMENT MIX.
- PRECAST MANHOLES SHALL BE SET AT LEAST 4 INCHES INTO MANHOLE BASE.
- MANHOLES WITH PIPE SIZES 24" AND LARGER SHALL HAVE 5 FOOT INSIDE DIAMETER (MIN.)
- MANHOLES WITH PRECAST BASES MAY BE USED AT THE CONTRACTORS OPTION. THESE MANHOLES SHALL HAVE AN 8" MINIMUM BASE THICKNESS AND SHALL BE PLACED ON AN 8" MIN. CRUSHED ROCK BASE. PIPES SHALL BE ENCASED WITH CRUSHED ROCK TO AT LEAST 3 FEET FROM THE MANHOLE WALL.
- CONTRACTOR SHALL REMOVE LIFTING HOOKS AFTER INSTALLATION. RECESSES IN MANHOLE WALL SHALL BE GROUTED FLUSH TO THE MANHOLE WALL WITH HYDRAULIC CEMENT AFTER THE MANHOLE IS IN PLACE. LIFTING HOLES THRU THE MANHOLE WALL WILL NOT BE ACCEPTED.
- THE ENDS OF ALL PIPES IN MANHOLES SHALL BE CUT OFF FLUSH WITH THE INSIDE FACE OF THE MANHOLE WALL.
- MANHOLE INVERT SHALL BE SHAPED WITH 8 SACK SAND MIX CONCRETE TO CREATE FLOW CHANNELS AND TO INCREASE HYDRAULIC EFFICIENCY SUCH THAT THE MANHOLE WILL BE SELF CLEANING BETWEEN ALL INLET AND/OR OUTLET PIPES.
- MANHOLE FRAME AND COVER TO BE DEETER #1261, EJIW #1936-Z1, OR APPROVED EQUAL, SEE SW-303.
- FOR FLAT GRATED INLET APPLICATION, GRATE TO BE DEETER #1933, EJIW #1205 MDI, OR APPROVED EQUAL.
- FOR BEEHIVE GRATE APPLICATION, GRATE TO BE DEETER #4495, EJIW #120545, OR APPROVED EQUAL.

Created: 08-16-2012 11:06:01 AM by BJS
 Plot: 08-16-2012 2:42:53 PM by BILL J. SEJMON
 Q:\2012\12388\000\PP0\12388-04-Precast Conc. MH

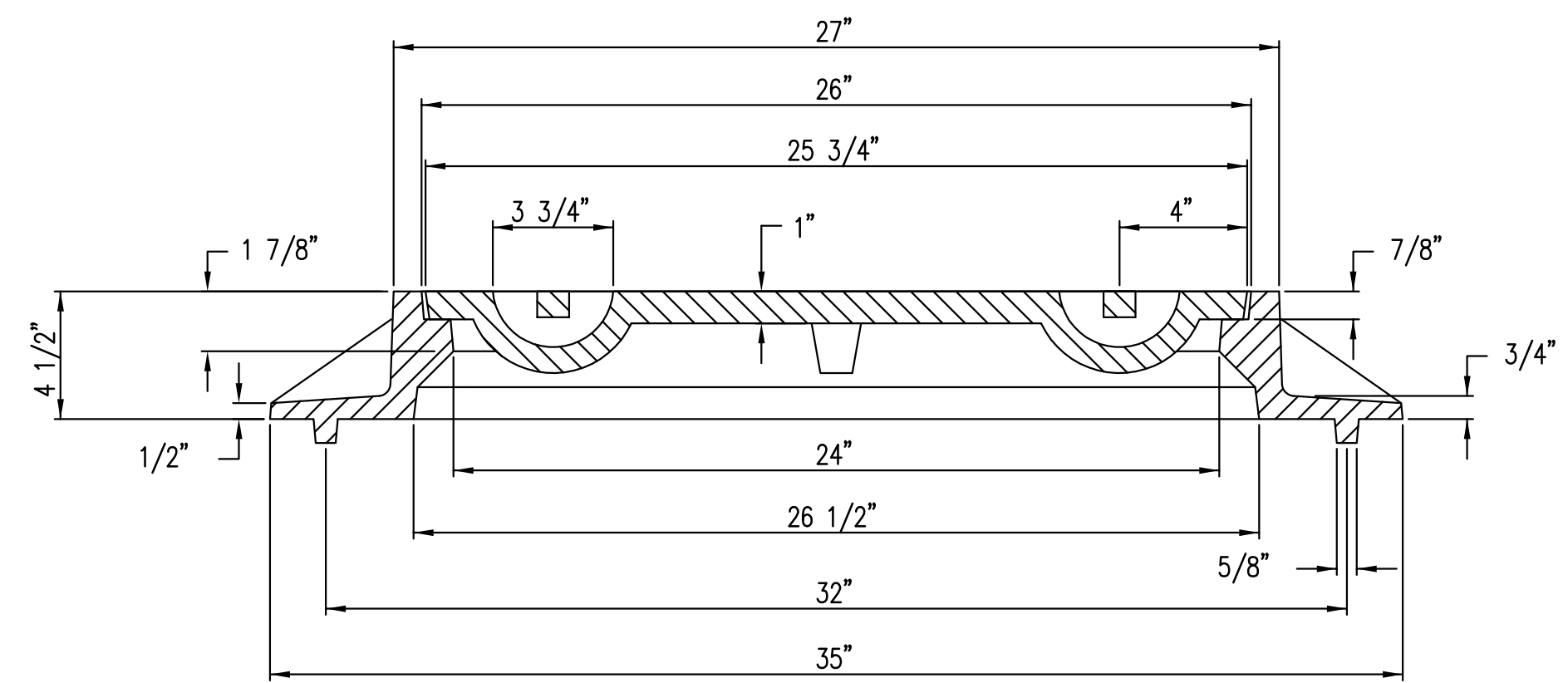
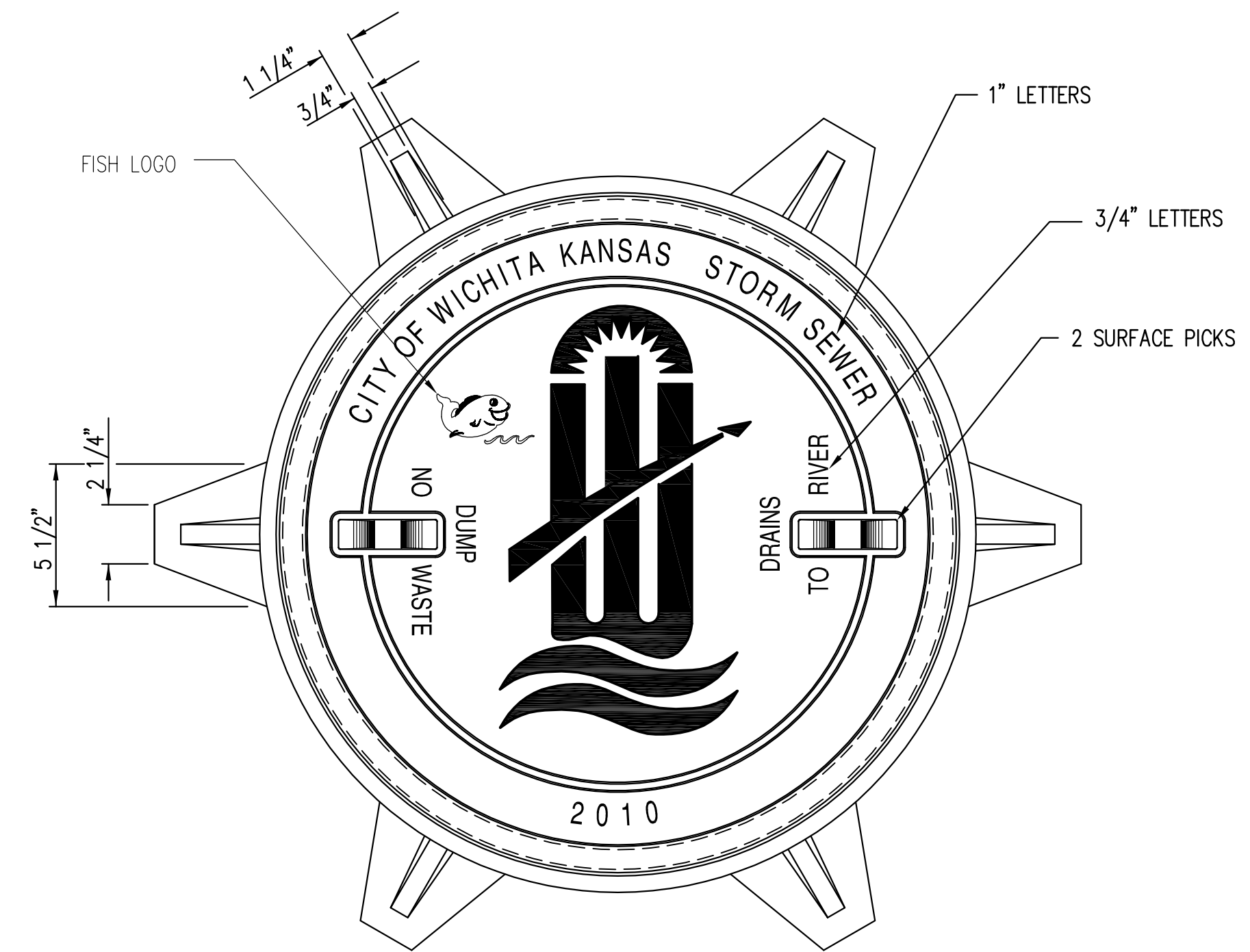
CITY OF WICHITA
PUBLIC WORKS & UTILITIES
ENGINEERING DIVISION

PRECAST CONCRETE MANHOLE (STORM SEWER)		
INTERIM CITY ENGINEER GARY JANZEN, P.E.		
PROJECT NUMBER	OCA NUMBER	DATE
		11/2010
CITY ENGINEER'S OFFICE		DESIGN
CITY HALL - SEVENTH FLOOR		DRAWN
455 NORTH MAIN STREET		
WICHITA, KANSAS 67202-1620		SHEET
(316) 268-4501		4 of 5



MANHOLE FRAME
DEETER #1261 OR EJIW #1936-Z1

- NOTE:
1. FURNISHED WITH MACHINED HORIZONTAL BEARING SURFACE.
 2. COVER TO BE DEETER #1261 OR EJIW #1936A.



INLET FRAME
DEETER #2014 OR EJIW #1936-Z4

- NOTE:
1. FURNISHED WITH MACHINED HORIZONTAL BEARING SURFACES.
 2. NOT TO BE USED UNDER PAVEMENT.
 3. COVER TO BE DEETER #1261 OR EJIW #1936A.

Created: 08-16-2012 11:05:35 AM by BLS
 Plot Date: 11-15-2012 2:48:47 PM by BILL J. SEYSON
 Q:\2012\12388\000\PP0\12388-05-MH-Inlet Frame & Cover



MANHOLE/INLET FRAME AND COVER (STORM SEWER)		
INTERIM CITY ENGINEER GARY JANZEN, P.E.		
PROJECT NUMBER	OCA NUMBER	DATE
---	---	11/2010
CITY ENGINEER'S OFFICE		DESIGN
CITY HALL - SEVENTH FLOOR		DRAWN
455 NORTH MAIN STREET		SHEET
WICHITA, KANSAS 67202-1620		5 of 5
(316) 268-4501		