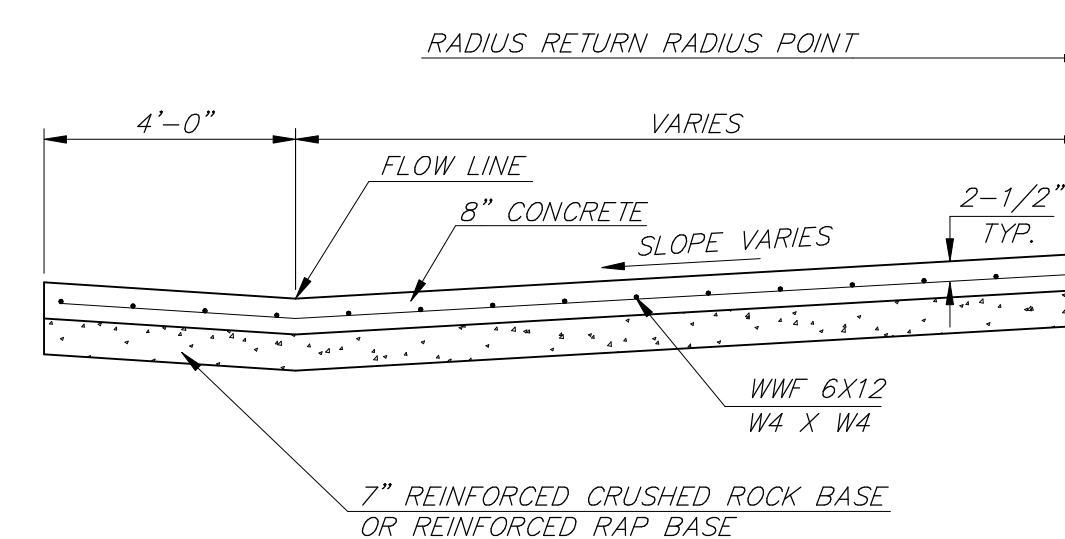
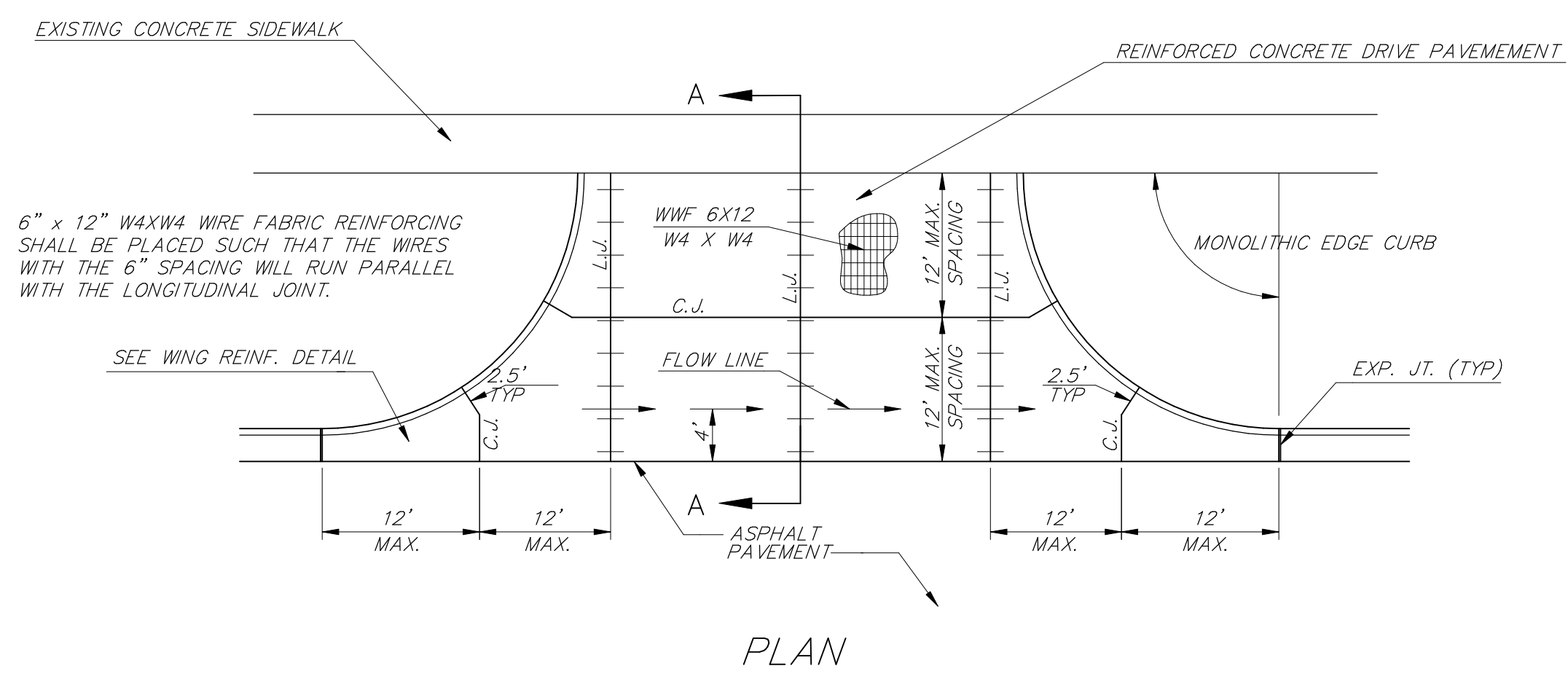


#4 x 2'-0" Dowel Bars
@ 12" Centers

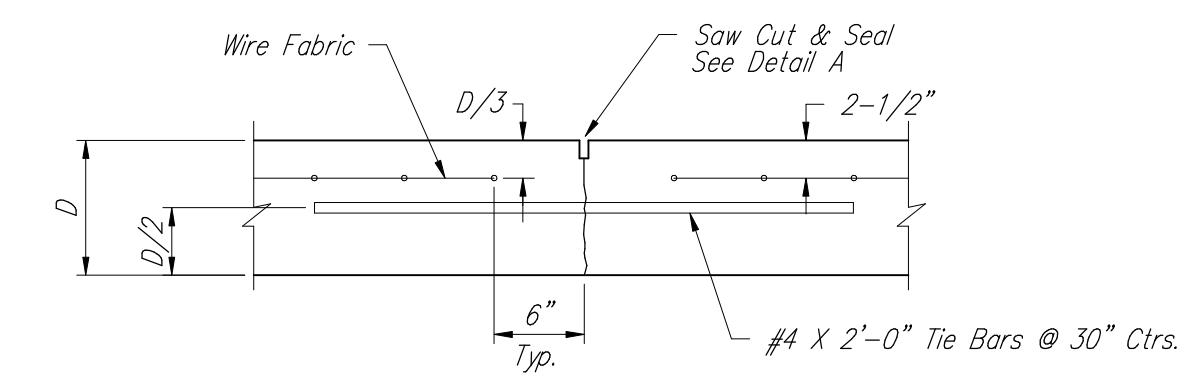
(Cost of Concrete Removal, Dowel bars, cast in place Concrete, and any other items subsidiary to Lump Sum Removal & Replacement of Lift Station Concrete Slab)

WET WELL CONNECTION DETAIL



SECTION A-A

8" REINFORCED CONCRETE DRIVE DETAIL
OVER 7" REINFORCED CRUSHED ROCK

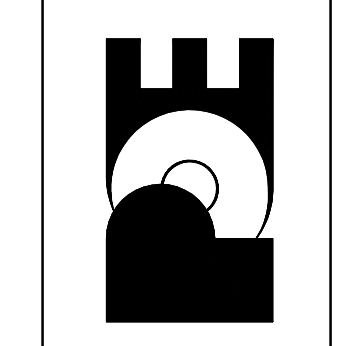


LONGITUDINAL JOINT DETAIL (L.J.)

No.	Date	By	Approved	Revision
1				
2				
3				
4				

HARBOR ISLE 3RD ADDITION
SANITARY SEWER IMPROVEMENTS
DRIVEWAY AND MISC. DETAILS
CITY OF WICHITA, KANSAS
JAMES ARMOUR, P.E. - CITY ENGINEER
Proj.# 488-8306 O.C.A.# 744037

POE & ASSOCIATES, INC.
CONSULTING ENGINEERS
5940 E. Central, Suite 200 • Wichita, KS 67208-4242
Phone 316/685-4114 • FAX 316/685-4444



FINAL
Designed By: J. Ubert / B. Kulla
Drawn By: B. Kulla
Poe Job No.: 1786
Date: February 2004