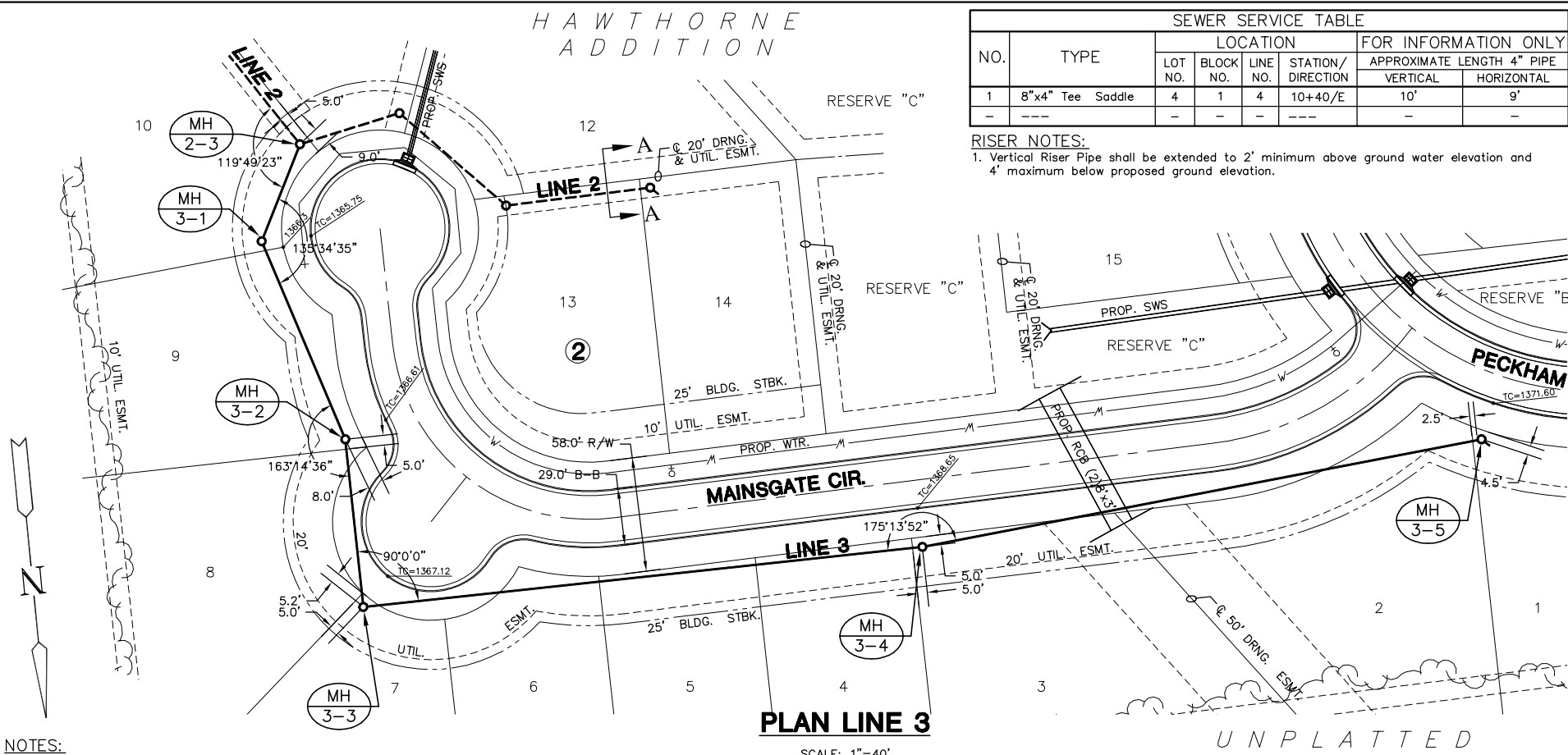
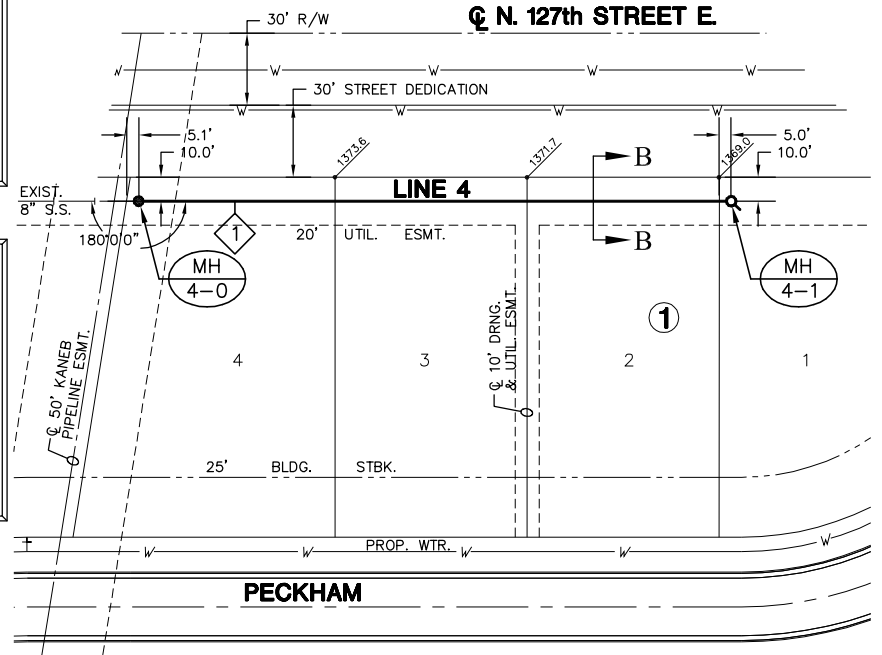
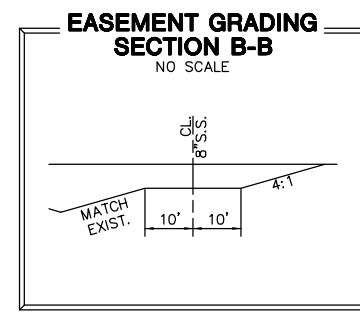
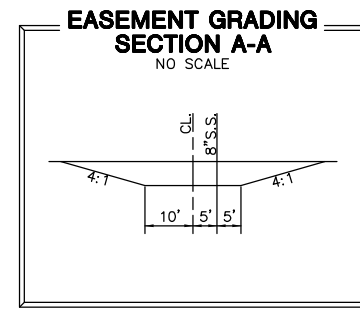


**HAWTHORNE ADDITION
LINES 3 & 4, PECKHAM (B)
SANITARY SEWER PLANS**

SEWER SERVICE TABLE						
NO.	TYPE	LOCATION			FOR INFORMATION ONLY	
		LOT NO.	BLOCK NO.	LINE NO.	STATION/DIRECTION	APPROXIMATE LENGTH 4" PIPE VERTICAL HORIZONTAL
1	8"x4" Tee Saddle	4	1	4	10+40/E	10' 9'

RISER NOTES:
1. Vertical Riser Pipe shall be extended to 2' minimum above ground water elevation and 4' maximum below proposed ground elevation.



NOTES:
1. TRENCHES TO BE BACKFILLED WITH SAND AND FLUSHED WHEN SEWER LINE RUNS ALONG FRONT OF LOTS.

