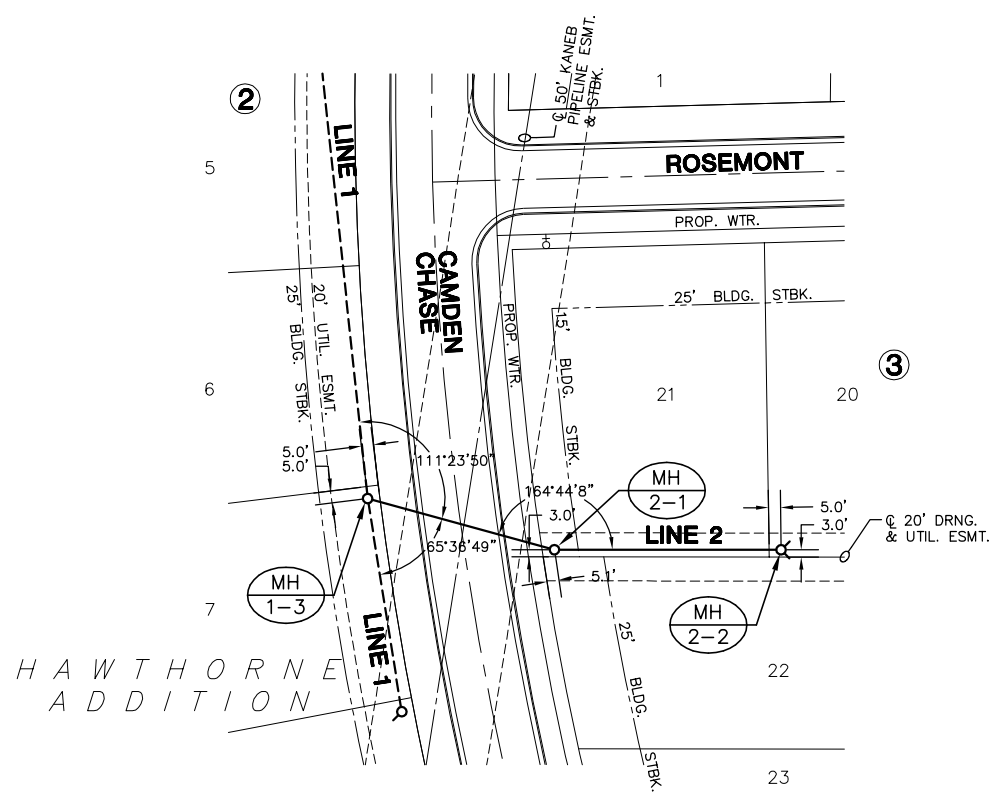


**HAWTHORNE ADDITION
LINES 2 & 3, ROSEMONT (A)
SANITARY SEWER PLANS**

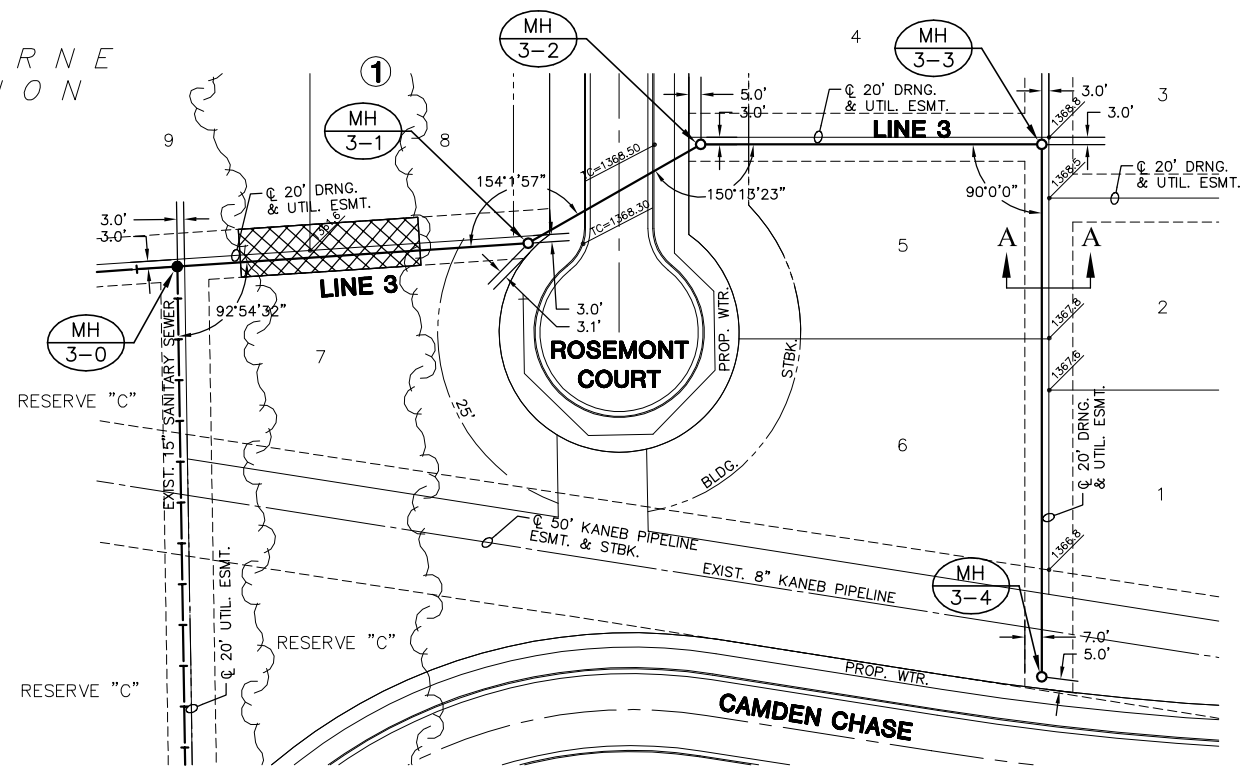


PLAN LINE 2

SCALE: 1"=40'

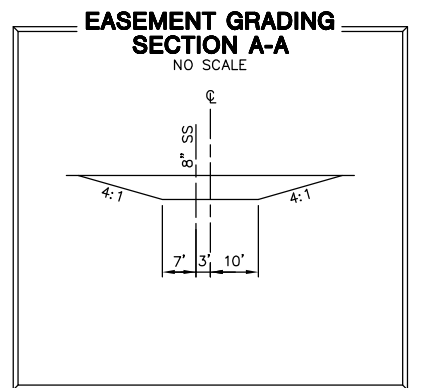
▨ = TREE REMOVAL
(10' WIDTH MAX.)

*HAWTHORNE
ADDITION*



PLAN LINE 3

SCALE: 1"=40'

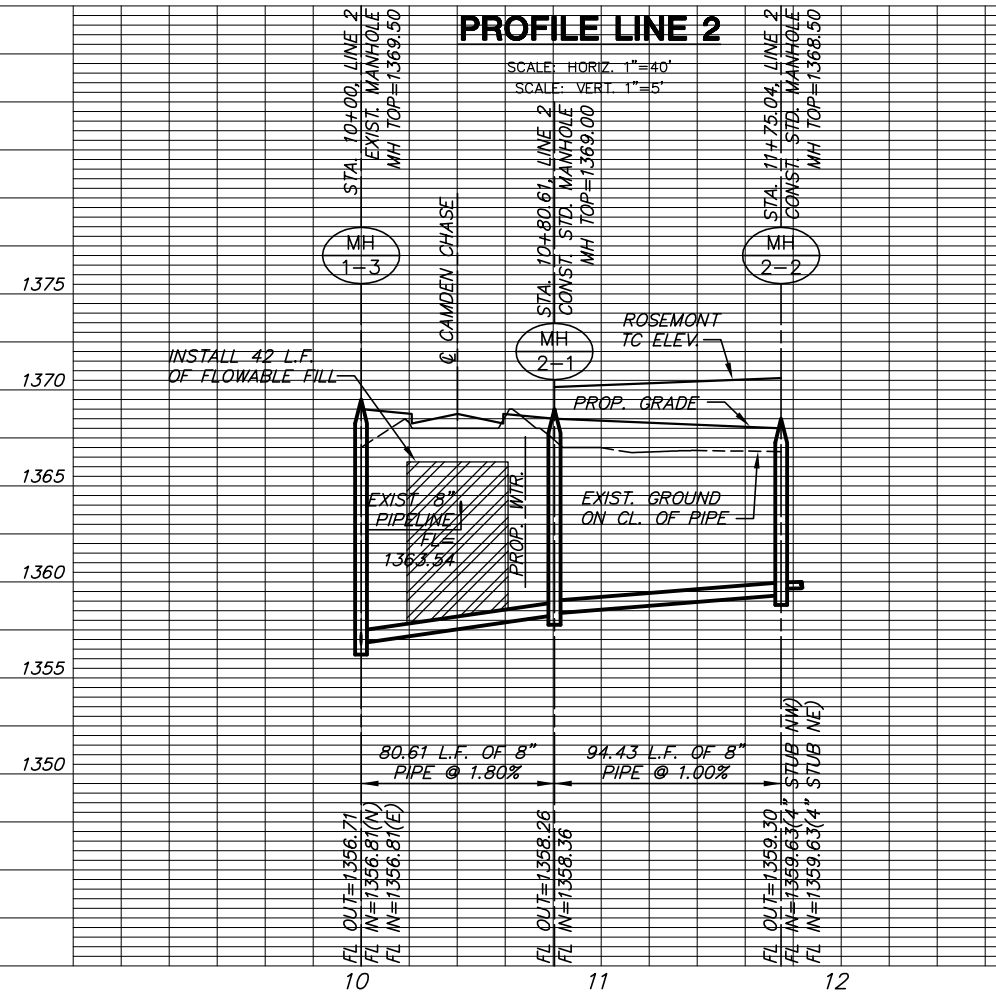


**EASEMENT GRADING
SECTION A-A**

NO SCALE

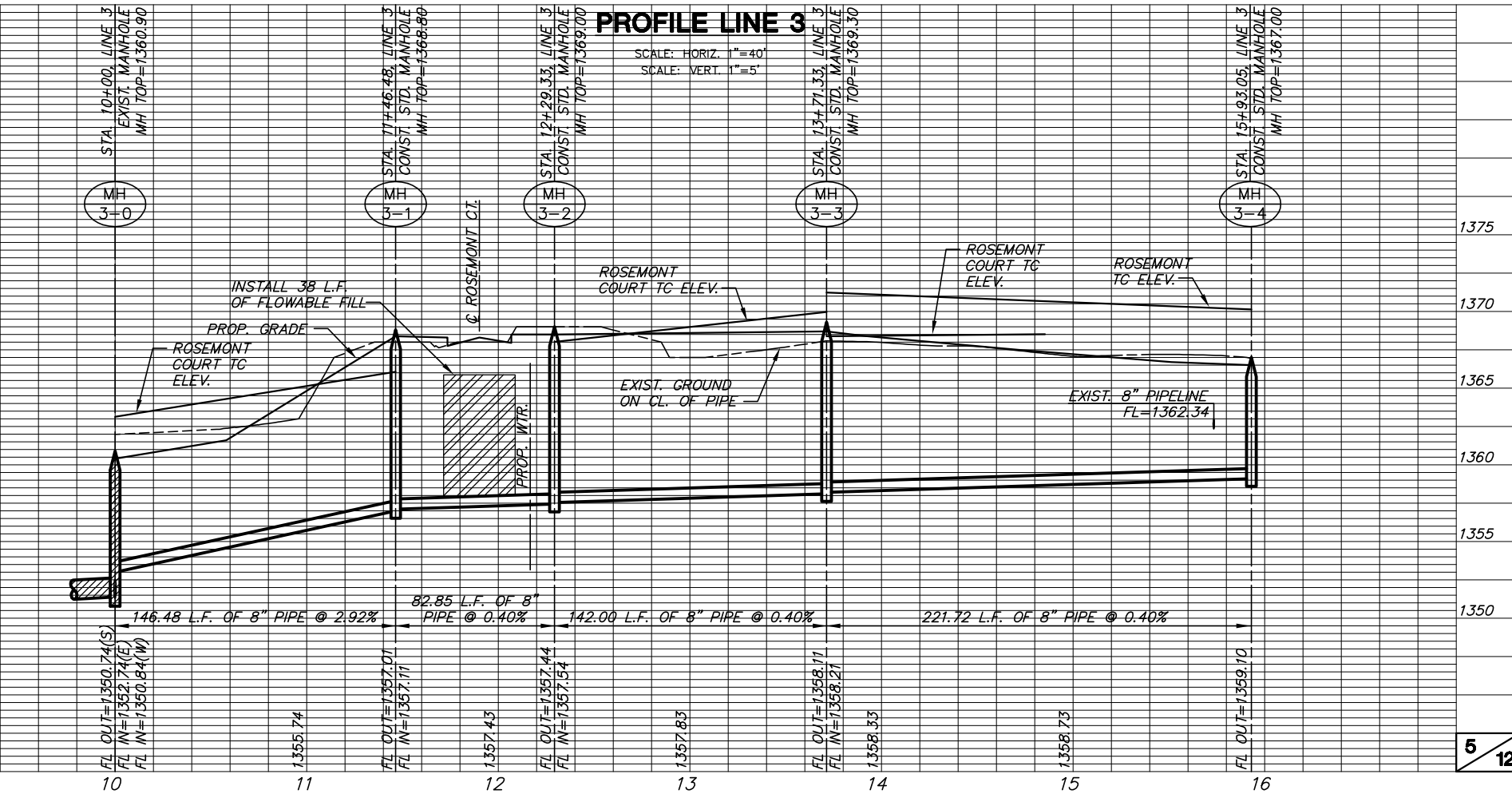


SCALE: 1"= 40'
0 20 40 80



PROFILE LINE 2

SCALE: HORIZ. 1"=40'
SCALE: VERT. 1"=5'



PROFILE LINE 3

SCALE: HORIZ. 1"=40'
SCALE: VERT. 1"=5'