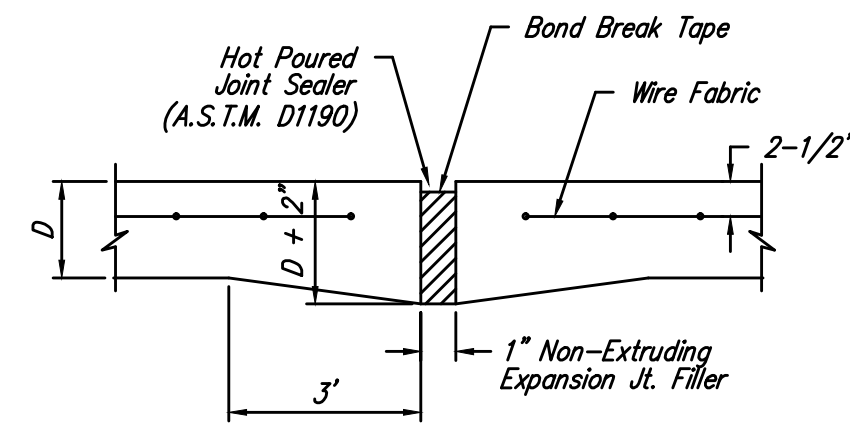
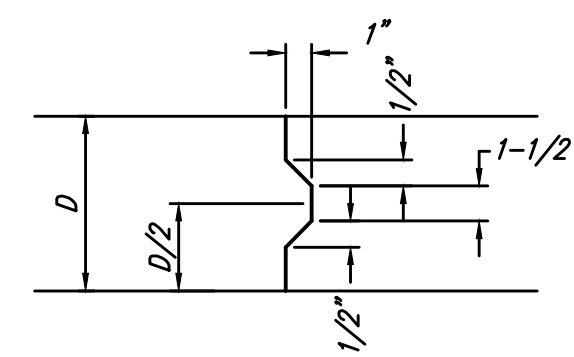


**EXPANSION JOINT (E.J.)  
TYPE "B"**

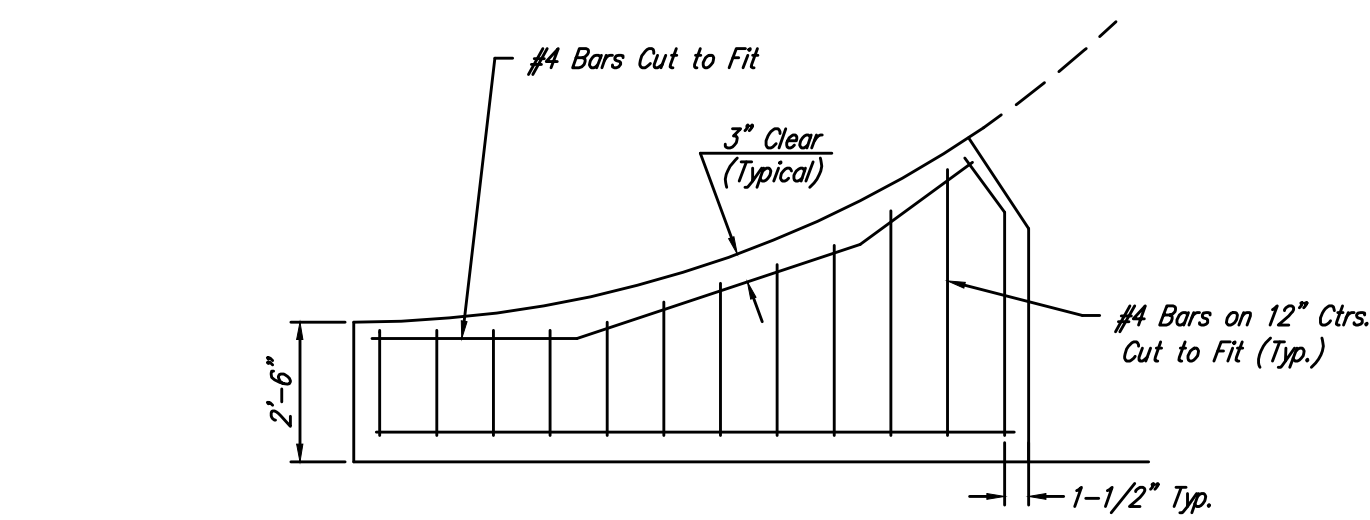


**EXPANSION JOINT (E.J.)  
TYPE "A"**

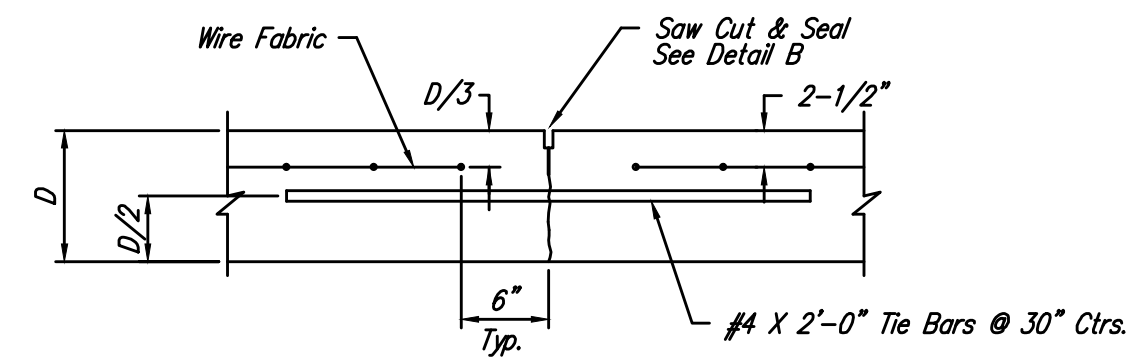
NOTE: Extra Thickness to be Subsidiary to Price of Square Yards Pavement



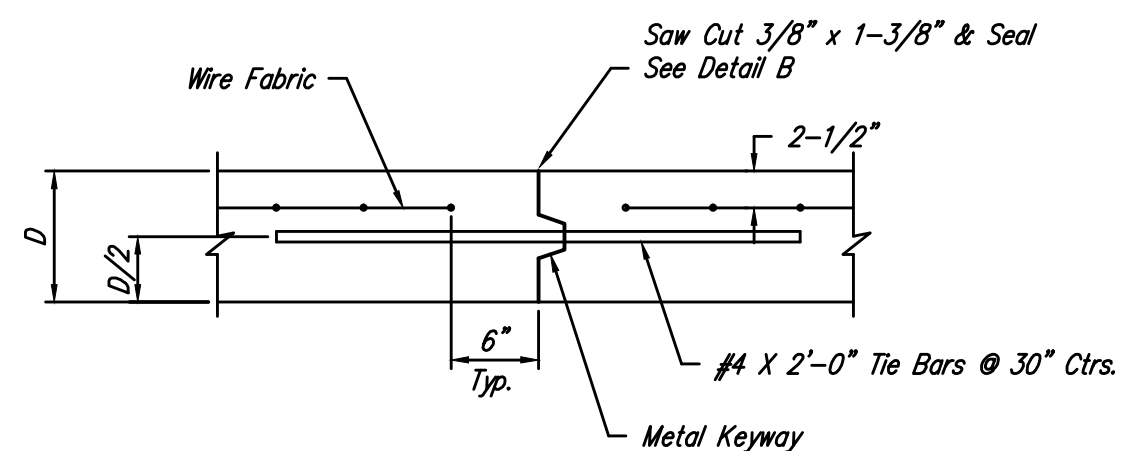
**KEYWAY DETAIL**



**WING REINFORCING DETAIL**

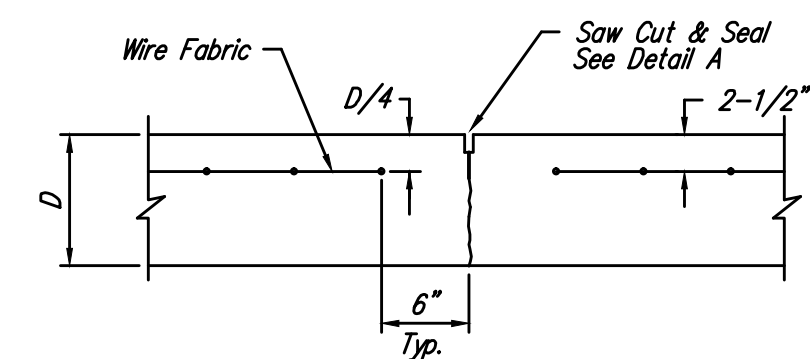


**LONGITUDINAL JOINT DETAIL (L.J.)**

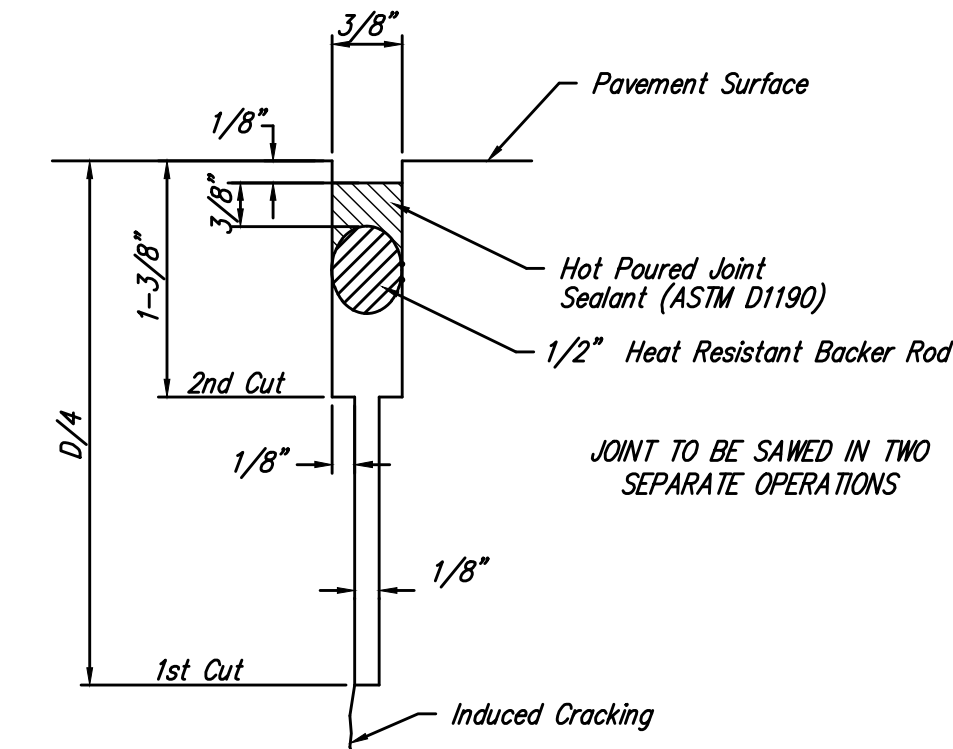


**OPTIONAL LONGITUDINAL JOINT DETAIL (L.J.)  
(CONSTRUCTION JOINT)**

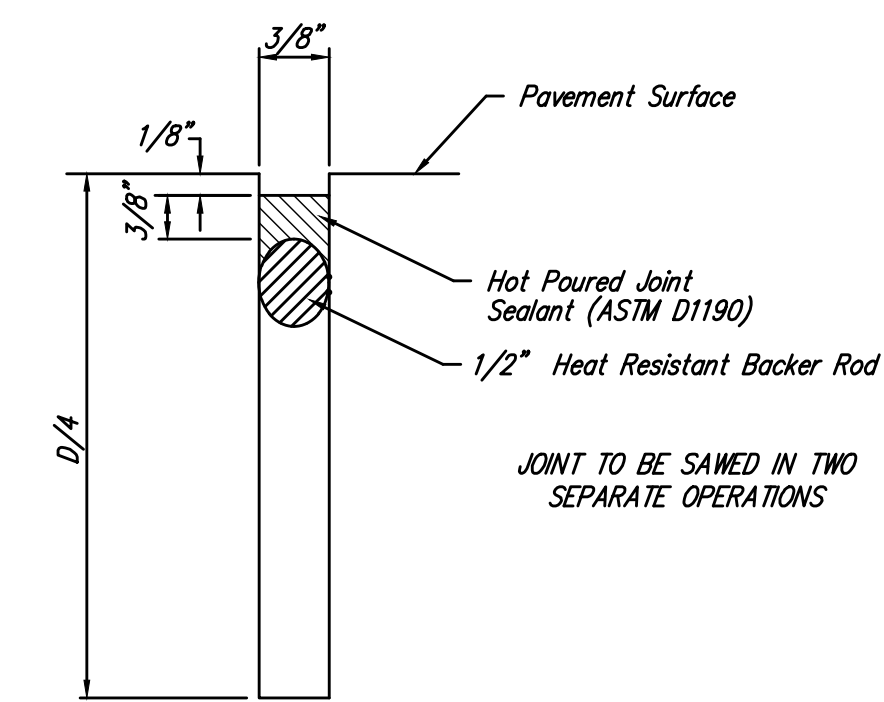
NOTE: 6" X 12" W4XW4 Wire Fabric Reinforcing Shall Be Placed So That The Wires With The 6" Spacing Will Run Parallel With The Longitudinal Joints.



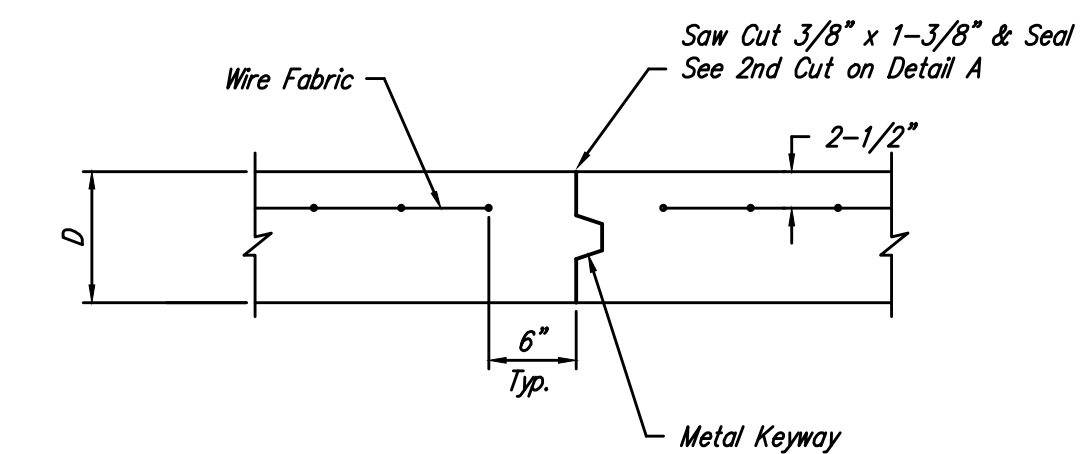
**CONTRACTION JOINT DETAIL (C.J.)**



**SAW JOINT DETAIL "A"**



**SAW JOINT DETAIL "B"**



**OPTIONAL CONTRACTION JOINT  
(CONSTRUCTION JOINT)**

	<b>AIRPORT INDUSTRIAL PARK</b> <b>MISC. DETAILS</b>	
	<small>Baughman Company, P.A. 315 Ellis St., Wichita, KS 67211 F 316-262-2271 F 316-262-0149  ENGINEERING   SURVEYING   PLANNING   LANDSCAPE ARCHITECTURE</small>	
PROJECT NUMBER	DESIGN	DRAWN
REVISIONS:	APPROVED	DATE 02/13
	SCALE NONE	
	SHEET	<b>5 OF 23</b>
<small>StrSWS.dwg/StrSWS.dwg</small>		<small>12-08-E790</small>