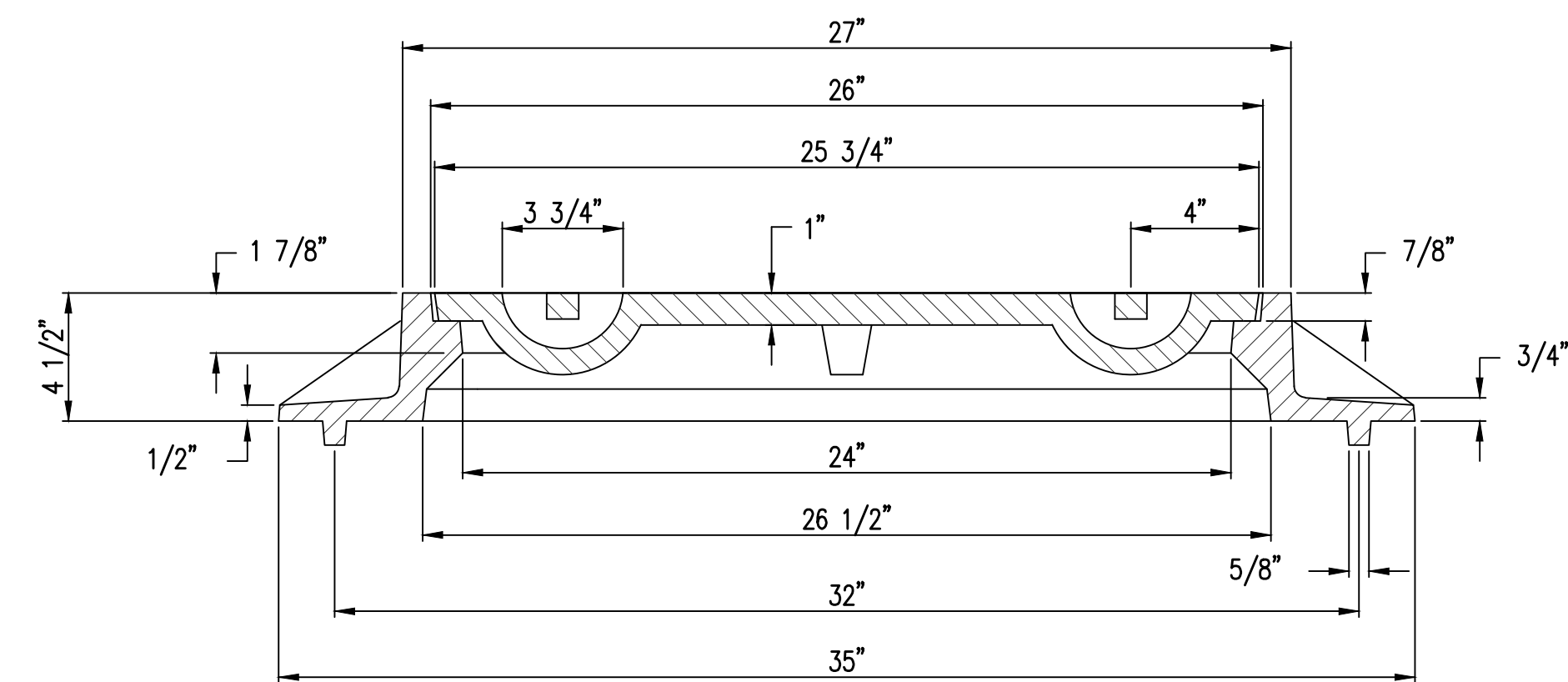
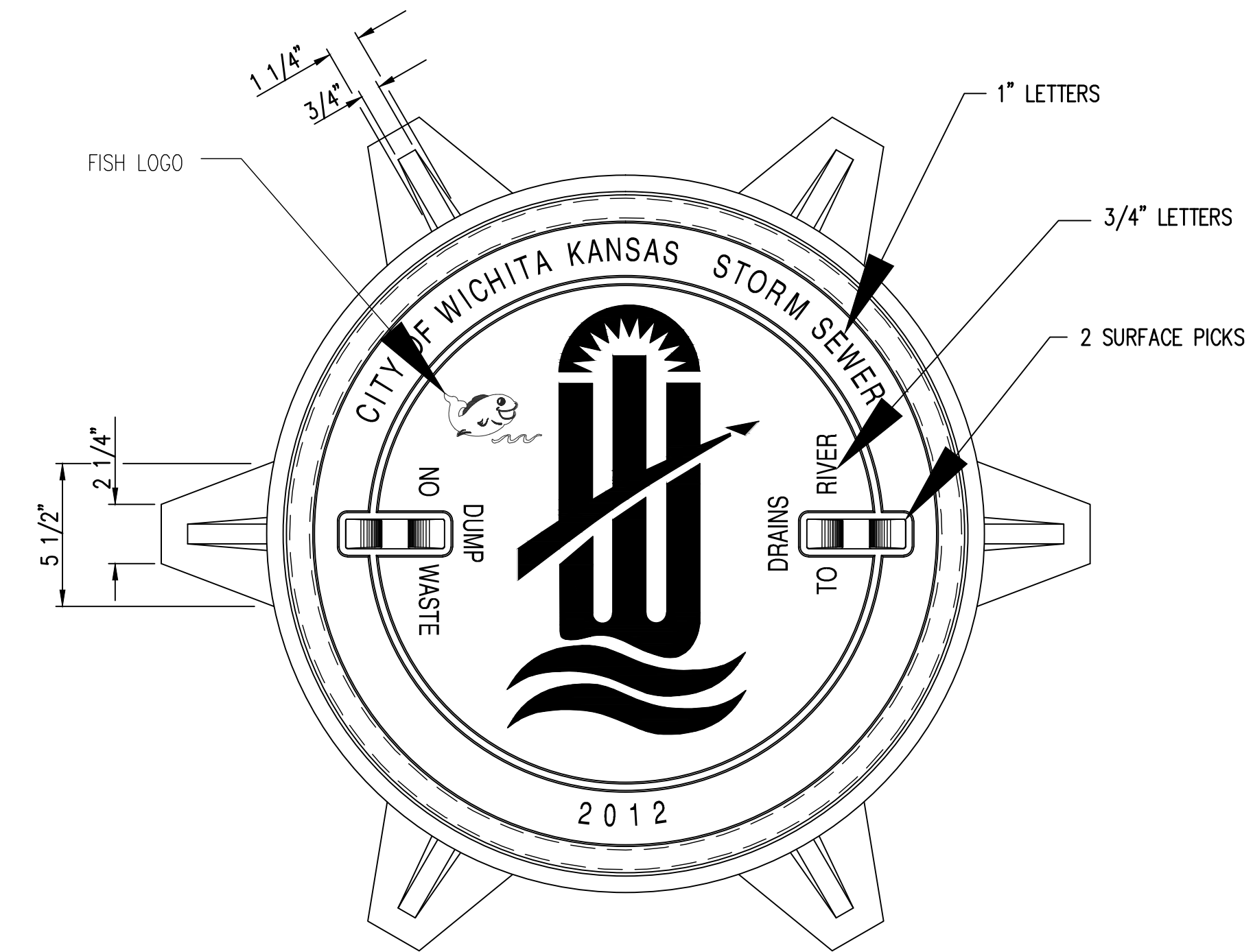


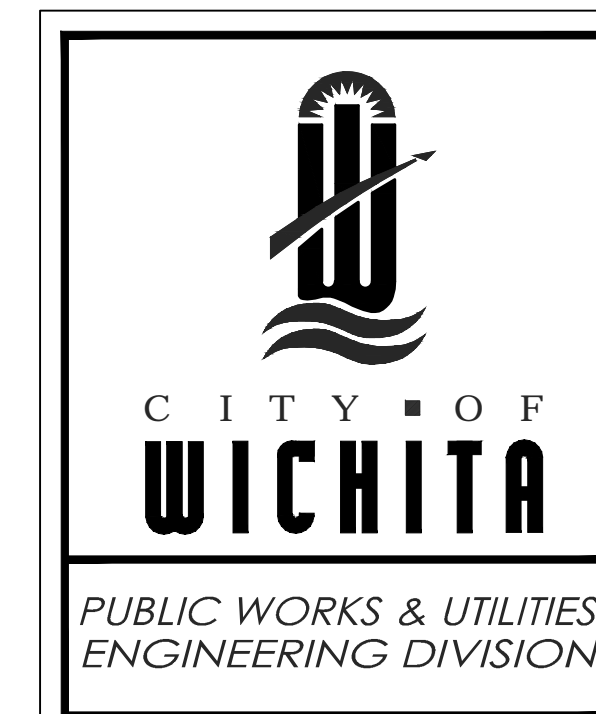
MANHOLE FRAME
DEETER #1261 OR EJIW #1936-Z1

- NOTE:
1. FURNISHED WITH MACHINED HORIZONTAL BEARING SURFACE.
 2. COVER TO BE DEETER #1261 OR EJIW #1936A.



INLET FRAME
DEETER #2014 OR EJIW #1936-Z4

- NOTE:
1. FURNISHED WITH MACHINED HORIZONTAL BEARING SURFACES.
 2. NOT TO BE USED UNDER PAVEMENT.
 3. COVER TO BE DEETER #1261 OR EJIW #1936A.



| | | | |
|--|------------|---------------|-------|
| MANHOLE/INLET FRAME AND COVER (STORM SEWER) | | | |
| CITY ENGINEER | | | |
| Gary Janzen, P.E. | | City Engineer | |
| PROJECT NUMBER | OCA NUMBER | DATE | |
| | | 11/2010 | |
| CITY ENGINEER'S OFFICE | | DESIGN | DRAWN |
| CITY HALL - SEVENTH FLOOR | | Staff | Staff |
| 455 NORTH MAIN STREET | | SHEET | |
| WICHITA, KANSAS 67202-1620 | | 10 of 23 | |
| (316) 268-4501 | | | |