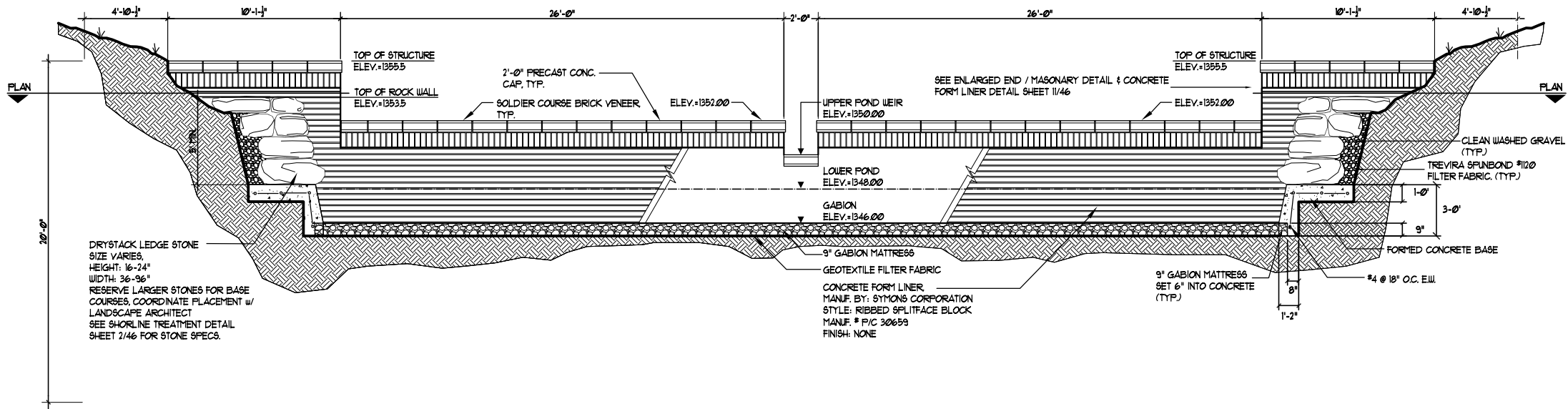
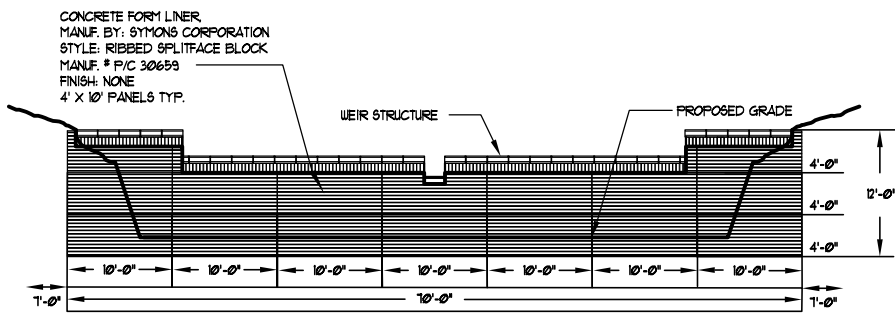


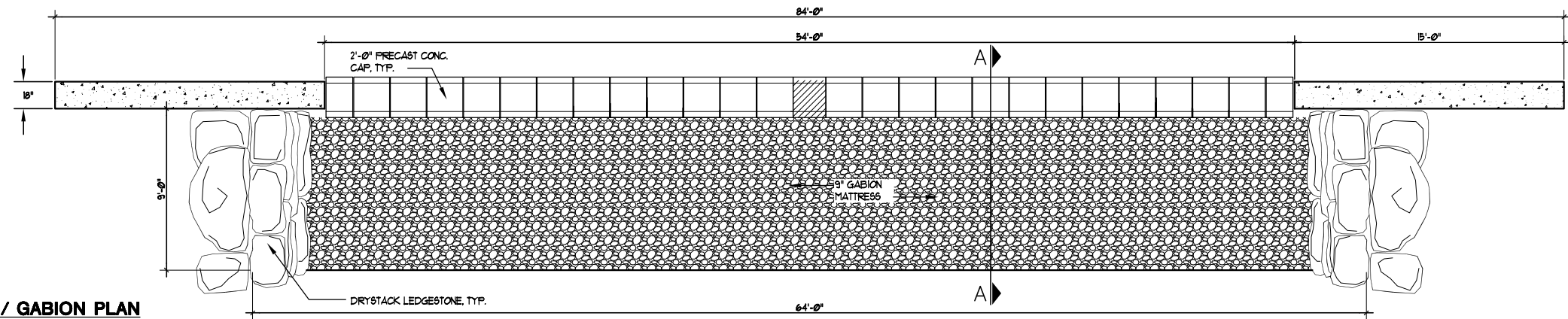
SECTION A-A
1/4" = 1'-0"



WEIR DOWNSTREAM ELEVATION
1/4" = 1'-0"



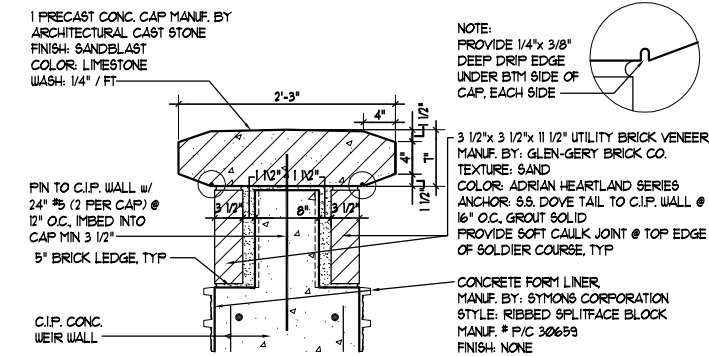
TEXTURED CONCRETE SURFACE DOWNSTREAM ELEV.
NTS



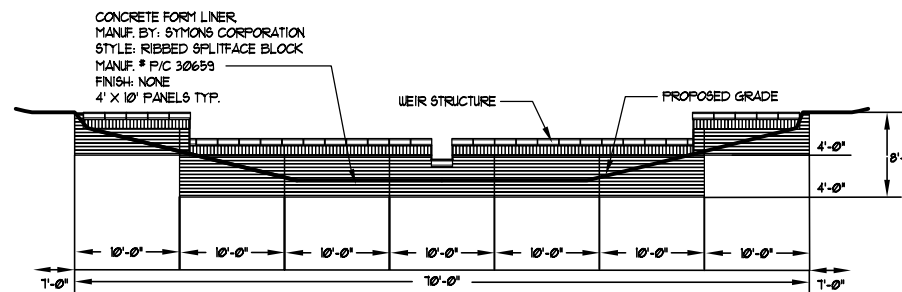
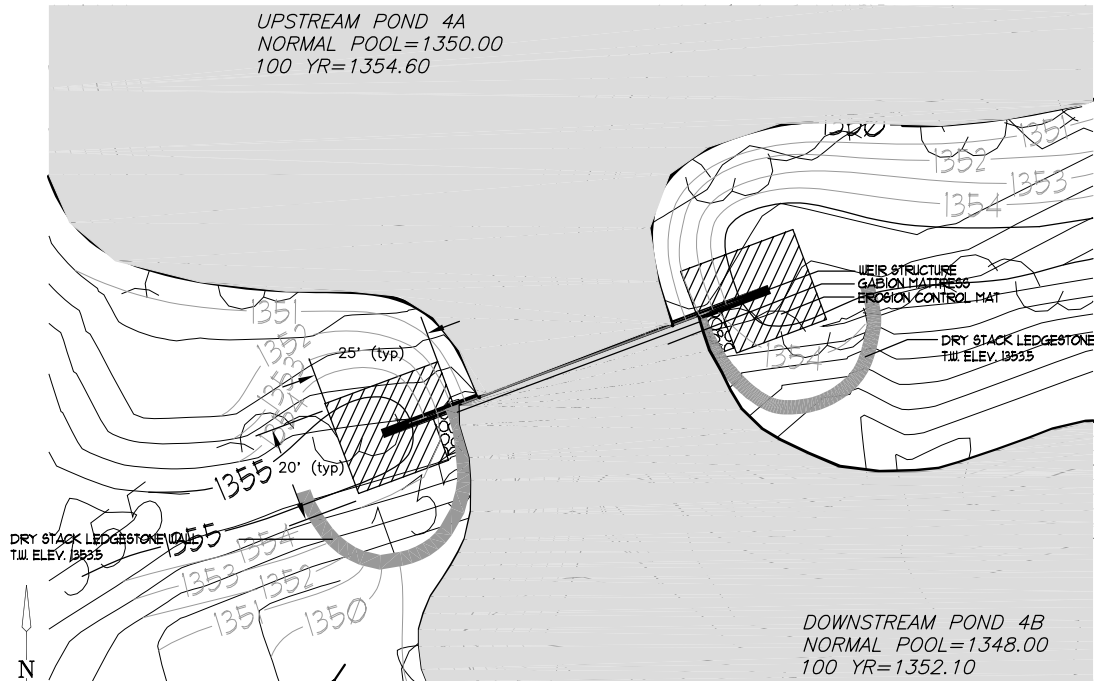
WEIR / GABION PLAN
1/4" = 1'-0"

GENERAL NOTES

1. All concrete to have minimum compressive strength of 4000 psi at 28 days. Contractor shall submit concrete mix design to Engineer for approval prior to construction.
2. All concrete shall conform to the current "ACI MANUAL OF CONCRETE PRACTICE".
3. Portland Cement shall conform to ASTM C-150, TYPE I OR III.
4. All aggregate for normal weight concrete shall meet ASTM C33.
5. All reinforcing to meet ASTM A615 or GR. 60.
6. Concrete cover shall be 3" in bottom of footing cast against soil. All other cover shall be 2".
7. All footings shall bear on undisturbed earth or engineered fill at elevations shown on details.
8. Earthwork shall be considered subsidiary to weir construction.
9. Geotextile Fabric shall be Trevira Spunbond #1120 or approved equal.
10. Gabions and Mattresses shall be PVC coated.
11. Erosion control mat shall be North American Green C-350 or approved equal.
12. The precast concrete cap, utility brick veneer, concrete form liner, and drystack ledgestone shall be considered subsidiary to the bid item for concrete weir structure.



WEIR PRECAST CAP
1" = 1'-0"



TEXTURED CONCRETE SURFACE UPSTREAM ELEV.
NTS

H:\CIVIL\02167\DWG\GRAD\WEIRS\WEIR4A



HAWTHORNE ADDITION
PROJECT NAME

POND 4A WEIR PLAN
SHEET TITLE

DRK DESIGN BY:	BJH DRAWN BY:	DRK CHECKED BY:
JANUARY 2003 DATE	02167 JOB NO.	9 / 46 SHEET/OF