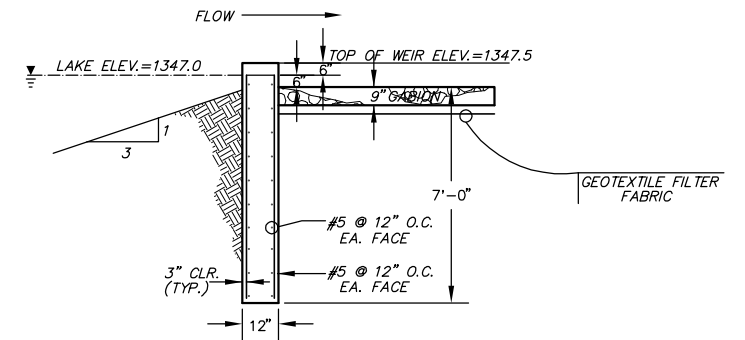


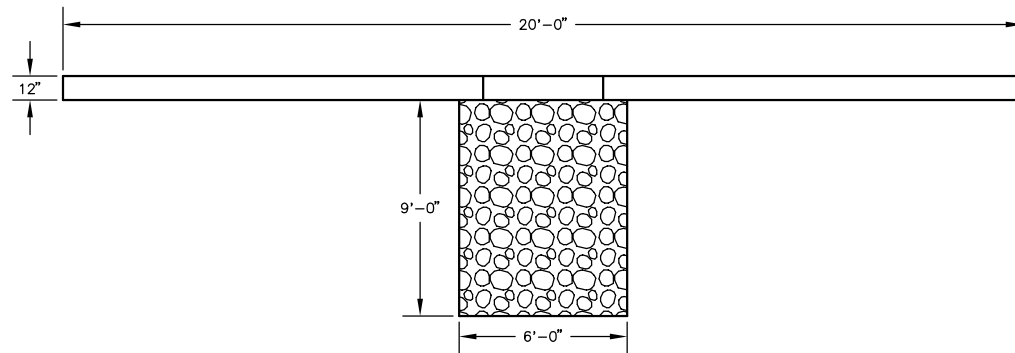
WEIR DOWNSTREAM ELEVATION

1/4"=1'-0"



SECTION A-A

1/4"=1'-0"

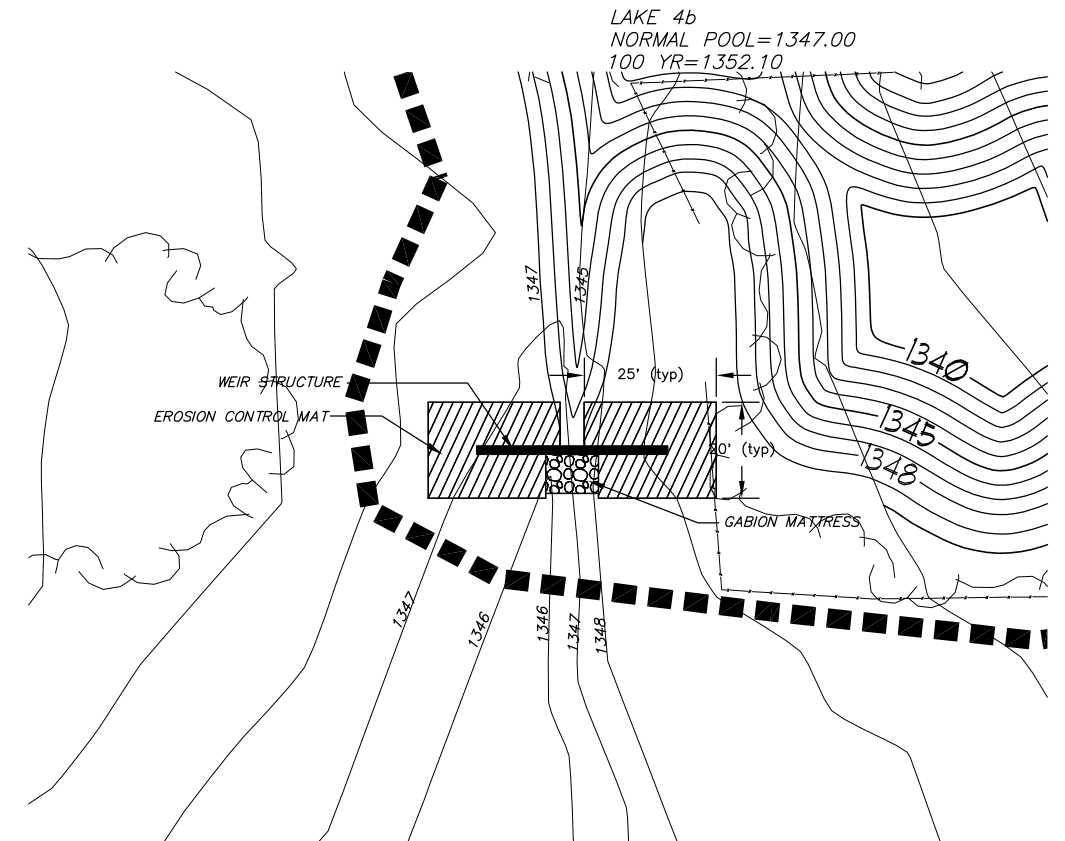
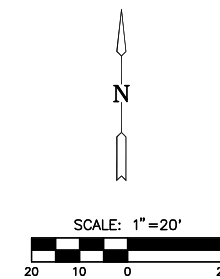


WEIR/GABION PLAN DETAIL

1/4"=1'-0"

GENERAL NOTES

1. All concrete to have minimum compressive strength of 4000 psi at 28 days. Contractor shall submit concrete mix design to Engineer for approval prior to construction.
2. All concrete shall conform to the current "ACI MANUAL OF CONCRETE PRACTICE".
3. Portland Cement shall conform to ASTM C-150, TYPE I OR III.
4. All aggregate for normal weight concrete shall meet ASTM C33.
5. All reinforcing to meet ASTM A615 or GR. 60.
6. Concrete cover shall be 3" in bottom of footing cast against soil. All other cover shall be 2".
7. All footings shall bear on undisturbed earth or engineered fill at elevations shown on details.
8. Earthwork shall be considered subsidiary to weir construction.
9. Geotextile Fabric shall be Trevira Spunbond #1120 or approved equal.
10. Gabions and Mattresses shall be PVC coated.
11. Erosion control shall be North American Green C-350 or approved equal



PLAN VIEW

<p>MKEC ENGINEERING CONSULTANTS 411 N. WEBB ROAD WICHITA, KS. 67206 316-684-9600</p>	HAWTHORNE ADDITION	
	PROJECT NAME	
	POND 4b WEIR PLAN	
	SHEET TITLE	
DESIGN BY: DRK	DRAWN BY: DMU	CHECKED BY: DRK
DATE: JANUARY 2003	JOB NO.: 02167	SHEET/OF: 10 / 46