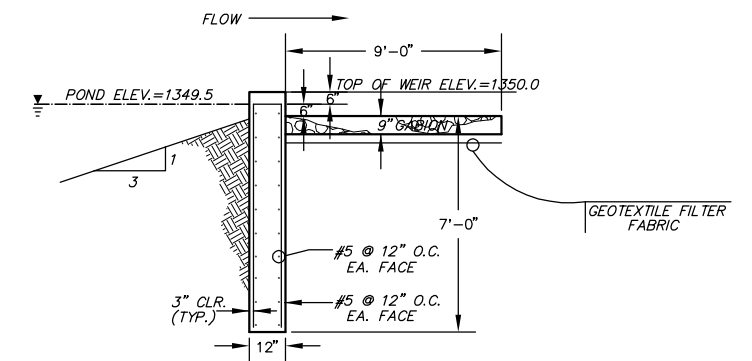


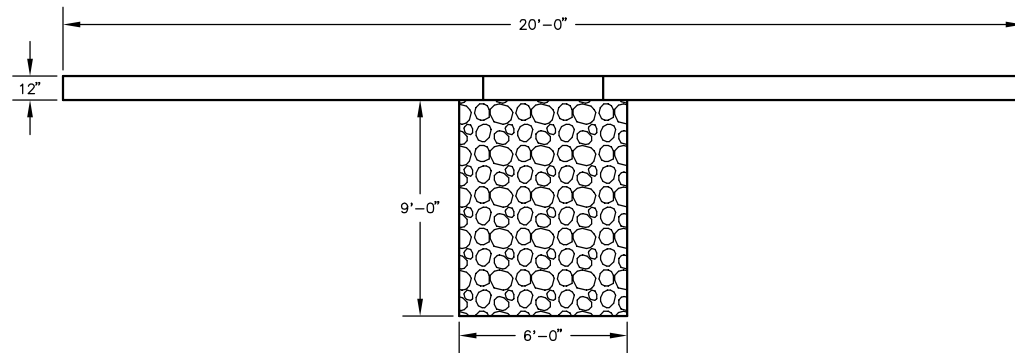
**WEIR DOWNSTREAM ELEVATION**

1/4"=1'-0"



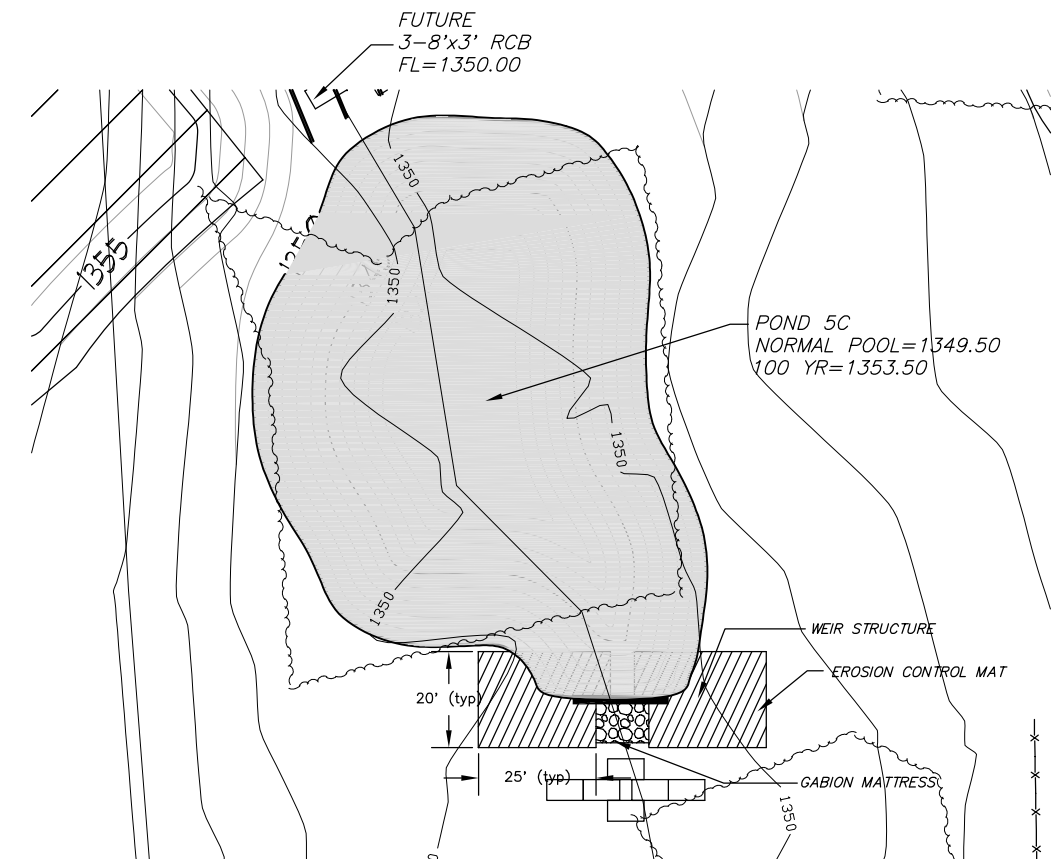
**SECTION A-A**

1/4"=1'-0"



**WEIR/GABION PLAN DETAIL**

1/4"=1'-0"



**PLAN VIEW**

**GENERAL NOTES**

1. All concrete to have minimum compressive strength of 4000 psi at 28 days. Contractor shall submit concrete mix design to Engineer for approval prior to construction.
2. All concrete shall conform to the current "ACI MANUAL OF CONCRETE PRACTICE".
3. Portland Cement shall conform to ASTM C-150, TYPE I OR III.
4. All aggregate for normal weight concrete shall meet ASTM C33.
5. All reinforcing to meet ASTM A615 or GR. 60.
6. Concrete cover shall be 3" in bottom of footing cast against soil. All other cover shall be 2".
7. All footings shall bear on undisturbed earth or engineered fill at elevations shown on details.
8. Earthwork shall be considered subsidiary to weir construction.
9. Geotextile Fabric shall be Trevira Spunbond #1120 or approved equal.
10. Gabions and Mattresses shall be PVC coated.
11. Erosion control shall be North American Green C-350 or approved equal

 <b>MKEC</b> ENGINEERING CONSULTANTS 411 N. WEBB ROAD WICHITA, KS. 67206 316-684-9600	<b>HAWTHORNE ADDITION</b>		
	PROJECT NAME		
	<b>POND 5C WEIR PLAN</b>		
	SHEET TITLE		
DRK	DMU	DRK	
DESIGN BY.	DRAWN BY.	CHECKED BY.	
JANUARY 2003	02167	12 / 46	
DATE	JOB NO.	SHEET/OF	