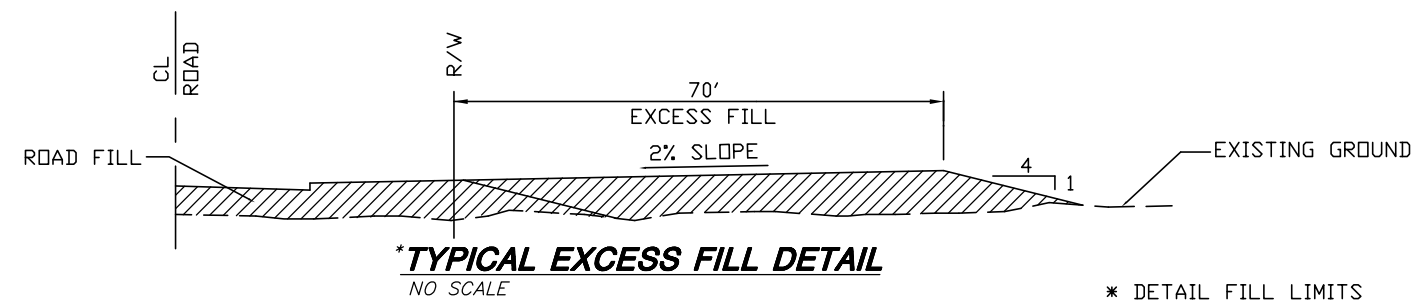


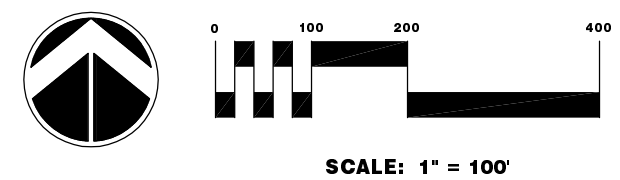
LEGEND

- AREAS TO PLACE EXCESS EXCAVATION (SOIL TO BE COMPACTED TO 95% STD.)
- EXISTING TREE ROW
- HAUL ROAD
- TREE PROTECTION FENCE

- ### NOTES
1. STOCKPILE EXCESS MATERIAL IN DESIGNATED AREAS. DO NOT STOCKPILE OVER PROPOSED LOT EASEMENTS OR ROAD RIGHT OF WAYS. KEEP TOPSOIL IN SEPARATE STOCKPILE.
 2. KEEP HAUL ROADS ON PREDEFINED ROUTE AS INDICATED.
 3. REFER TO SHEETS 15 & 16 FOR RELATED NOTES AND INFORMATION.



* DETAIL FILL LIMITS PERTAIN ONLY TO STREETS WITH LOT FRONTAGE.



MKEC
ENGINEERING
CONSULTANTS
411 N. WEBB ROAD
WICHITA, KS. 67206
316-684-9600

HAWTHORNE ADDITION
PROJECT NAME

EXCAVATION PLACEMENT PLAN
SHEET TITLE

DESIGN BY: <u>DFL</u>	DRAWN BY: <u>DFL</u>	CHECKED BY: <u>DK/GJA</u>
DATE: <u>JANUARY 2003</u>	JOB NO.: <u>02167</u>	SHEET/OF: <u>14 / 46</u>

H:\CIVIL\02167\DWG\GRAD\POND5\02167L02