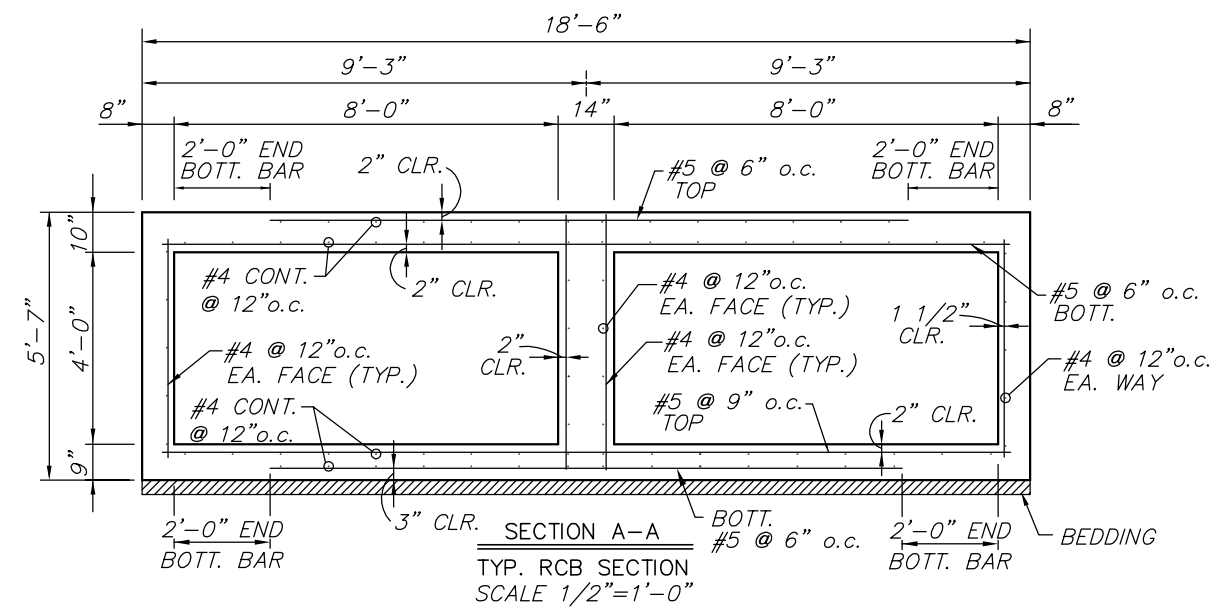


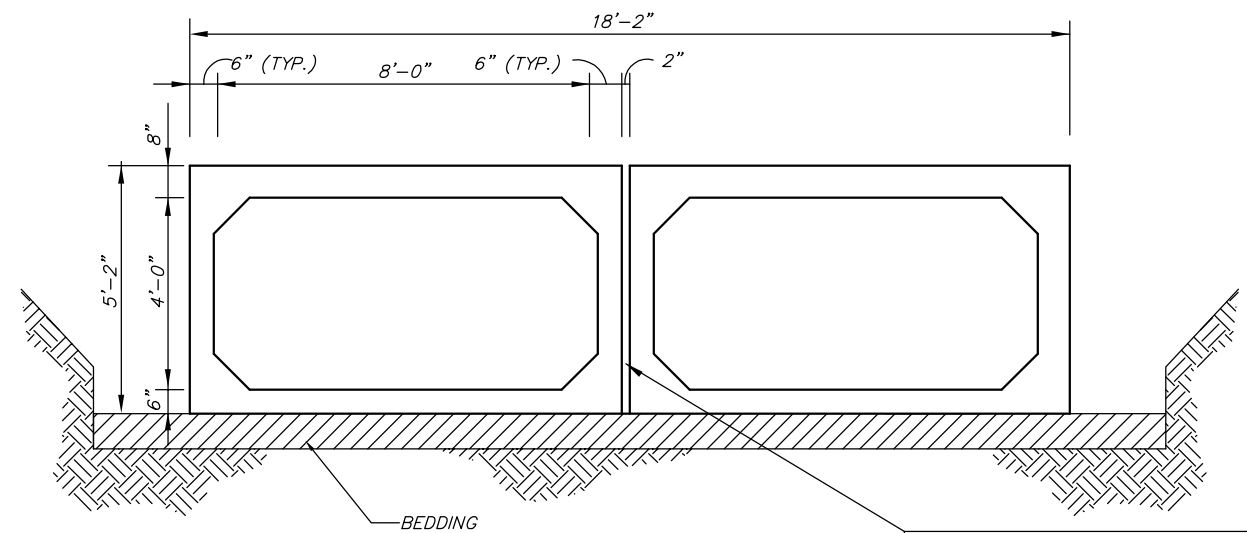
SECTION AND ELEVATION
 (Normal to CL Roadway @ STA 1+94.11)
 SCALE 1/4"=1'-0"

REINFORCING NOT SHOWN FOR CLARITY

± Hand Compaction Equip. Only in this area



SECTION A-A
 TYP. RCB SECTION
 SCALE 1/2"=1'-0"



SECTION B-B
 TYP. PRECAST RCB SECTION
 SCALE 1/2"=1'-0"

FILL SPACE BETWEEN BOXES WITH GROUT.
 (TO MAINTAIN PROPER JOINT GAP, PARTIALLY BACKFILL BOXES PRIOR TO GROUTING OR PROVIDE A MECHANICAL CONNECTION BETWEEN BOXES.)

GENERAL NOTES

- LOADING: HS20-44 AASHTO Specifications, 1996 Edition.
- UNIT STRESSES: Class AAA (AE) Concrete; $f'_c = 4,000$ p.s.i.
Reinforcing Steel; $f_y = 60,000$ p.s.i.
- CONCRETE: Class AAA (AE) Concrete shall be used throughout.
Bevel all exposed edges with a 3/4" triangular moulding.
- REINFORCING: All reinforcing shall conform to ASTM A615, Grade 60. All dimensions relative to reinforcing steel shall be to centerline of bar unless otherwise noted.
- EXCAVATION: Excavation for culvert shall not be paid for directly but shall be subsidiary to box construction.

H:\CIVIL\02167\DWG\SWS\PECKHAM(B)\RCB\02167RD2.DWG

<p>MKEC ENGINEERING CONSULTANTS 411 N. WEBB ROAD WICHITA, KS. 67206 316-684-9600</p>	<p>HAWTHORN ADDITION - LAKE #2 PROJECT NAME</p>		
	<p>R.C.B. SECTIONS SHEET TITLE</p>		
	<p>DFL DESIGN BY.</p>	<p>DMU DRAWN BY.</p>	<p>GJA CHECKED BY.</p>
	<p>JANUARY 2004 DATE</p>	<p>02167 JOB NO.</p>	<p>4 / 15 SHEET/OF</p>