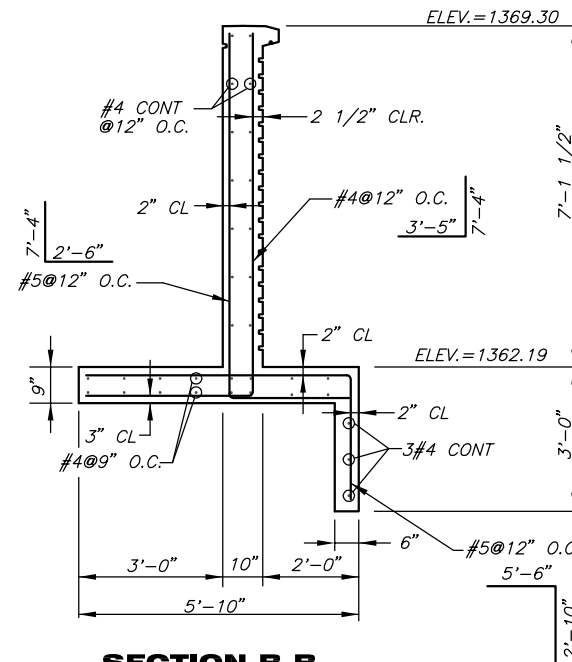
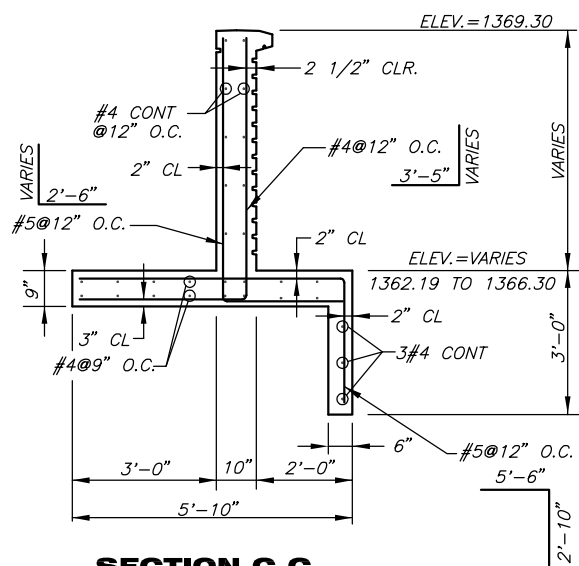


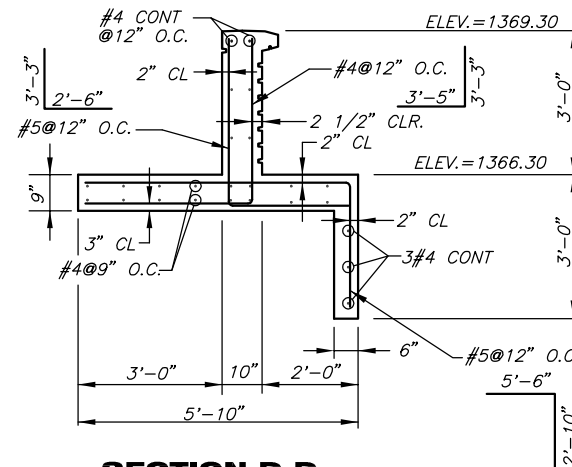
**SECTION A-A**  
SCALE 1/2"=1'-0"



**SECTION B-B**  
SCALE 1/2"=1'-0"



**SECTION C-C**  
SCALE 1/2"=1'-0"



**SECTION D-D**  
SCALE 1/2"=1'-0"

H:\CIVIL\02167\DWG\SWS\PECKHAM(B)\RCB\02167RD4.DWG



**HAWTHORNE ADDITION - LAKE #2**  
PROJECT NAME

**HEADWALL SECTIONS & DETAILS**  
SHEET TITLE

DFL DESIGN BY.	DMU DRAWN BY.	KJS CHECKED BY.
JANUARY 2004 DATE	02167 JOB NO.	6 / 15 SHEET/OF

411 N. WEBB ROAD  
WICHITA, KS. 67206  
316-684-9600