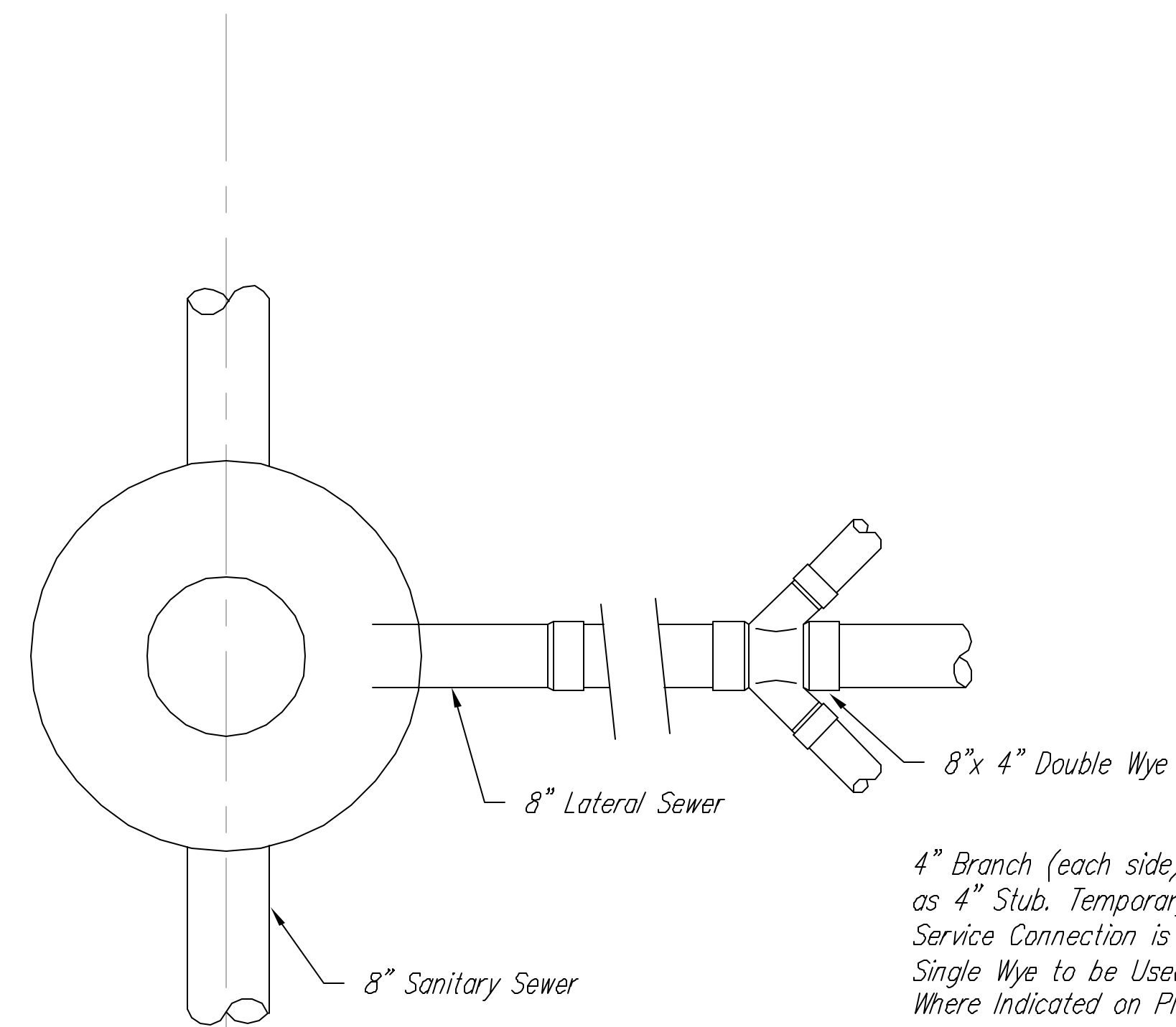


NOTES

1. 8" Lateral to be Air-Tested up to the Top of PVC Pipe, per Standard Specifications.
2. All PVC pipe fittings in cleanout riser assembly shall be solvent-welded, except 8" pipe cap.



4" Branch (each side) To Serve as 4" Stub. Temporary Plug Until Service Connection is Required. Single Wye to be Used Where Indicated on Plan.

8" CLEANOUT RISER ASSEMBLY DETAIL

CLEANOUT RISER DETAILS				
CITY OF WICHITA, KS				
BAUGHMAN COMPANY P.A.				
ENGINEERING, SURVEYING, & PLANNING				
316-262-7271 • 315 ELLIS • WICHITA, KANSAS 67211				
PROJECT NUMBER 466-83549				SHEET 3
DESIGN Staff	DRAWN Staff	APPROVED	DATE 3/04	SCALE NONE
				OF 11

Details C020115