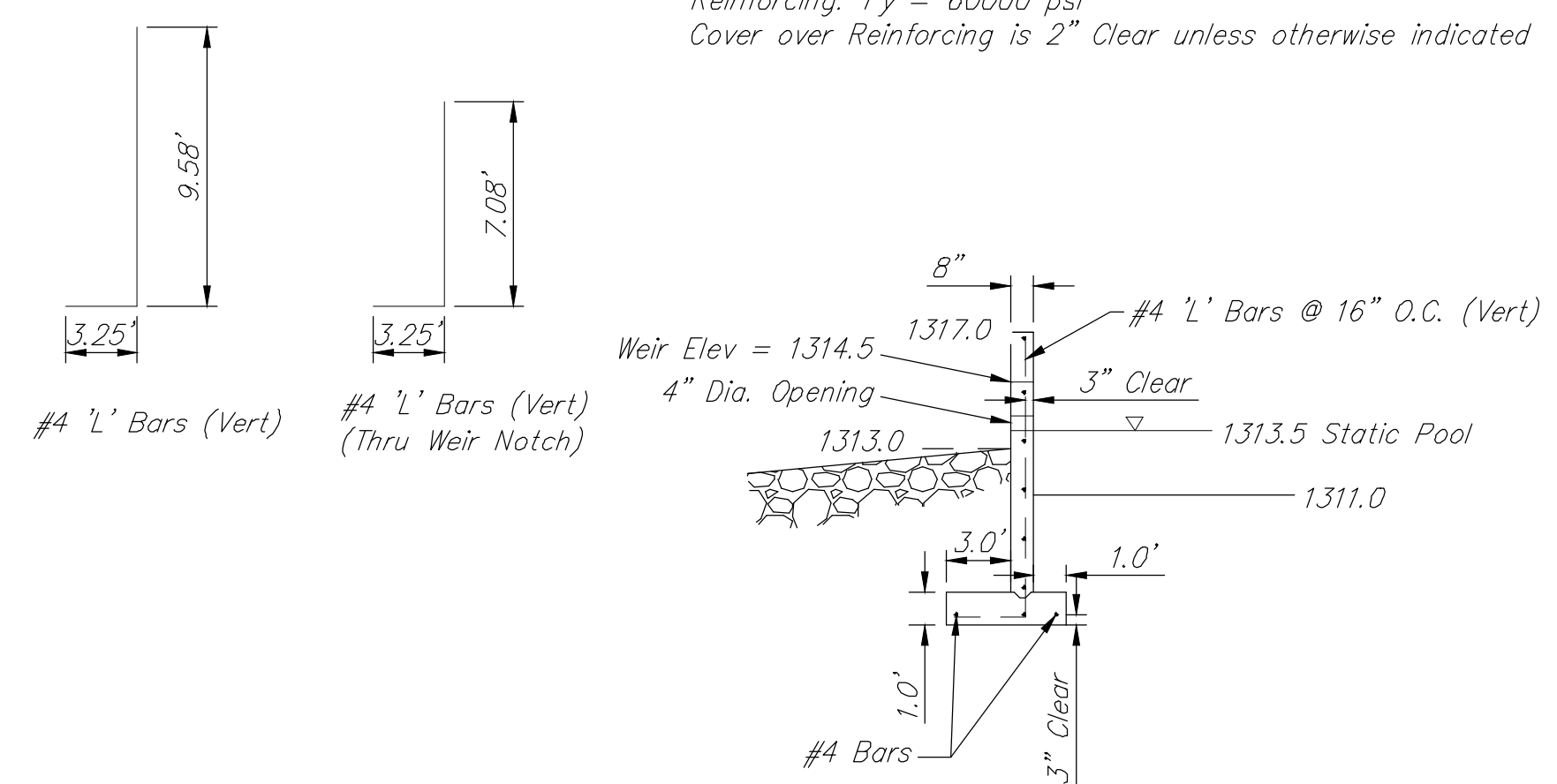
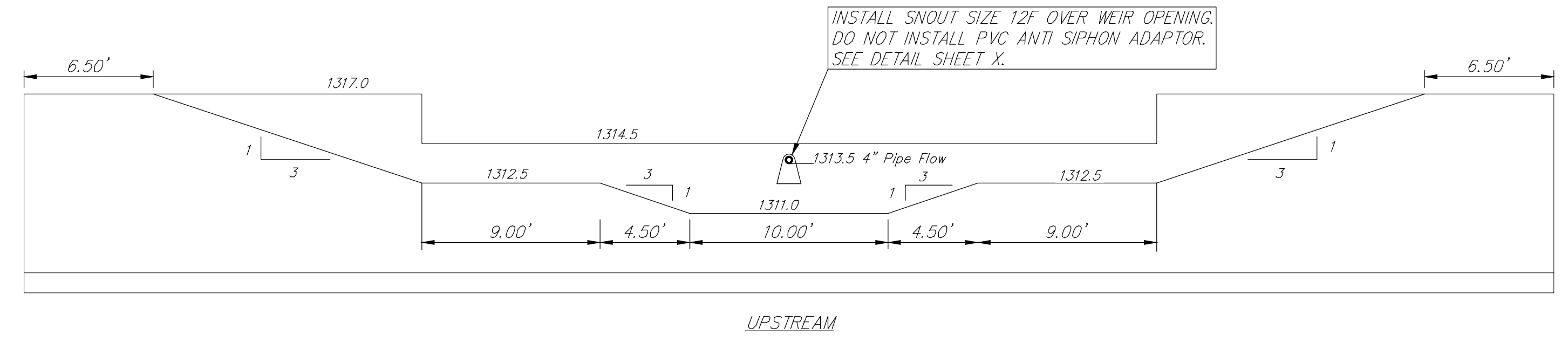
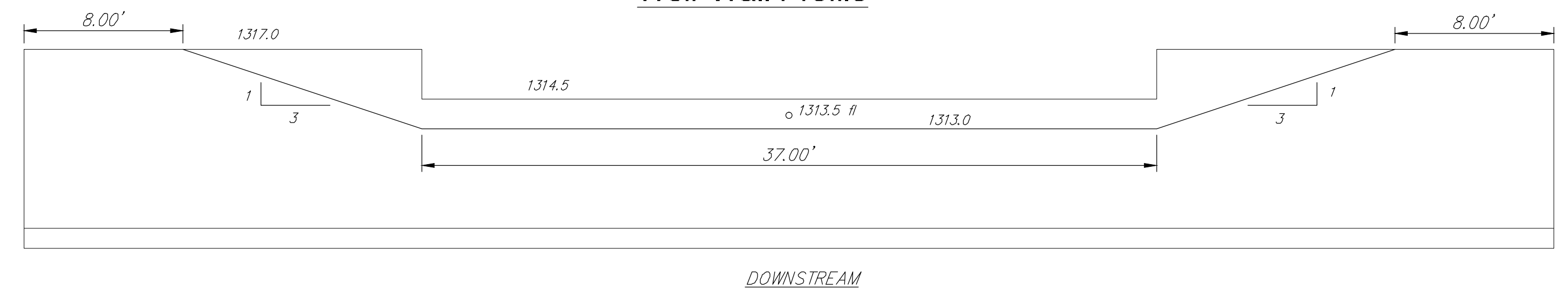


**NE Pond Weir Wall Detail**

Air Entrained Concrete:  $f'_c = 4000$  psi @ 28 days  
 Reinforcing:  $F_y = 60000$  psi  
 Cover over Reinforcing is 2" Clear unless otherwise indicated



**Weir Wall Profile**



**NE Pond Weir Grading**



Bellechase 3rd Addition 12

<b>Bellechase 3rd Addition</b> <b>NE Pond Weir Detail</b> <b>WICHITA, KANSAS</b>		DATE June 25, 2013
		DESIGN E.J.G.
<b>RUGGLES &amp; BOHM</b> ENGINEERING   SURVEYING   LANDSCAPE ARCHITECTURE   GOVERNMENT 824 NORTH MAIN WICHITA, KANSAS 67203 P (316) 264-8008 F (316) 264-4821 WWW.RUGGLESANDBOHM.COM		DRAWN E.J.G.
PROJECT NUMBER 472-85078	RUGGLES JOB NO. 4057E	DWG. SCALE 20
DRAWING FILE Engg Base [NE Pond Weir Detail]		SHEET 23 OF 45