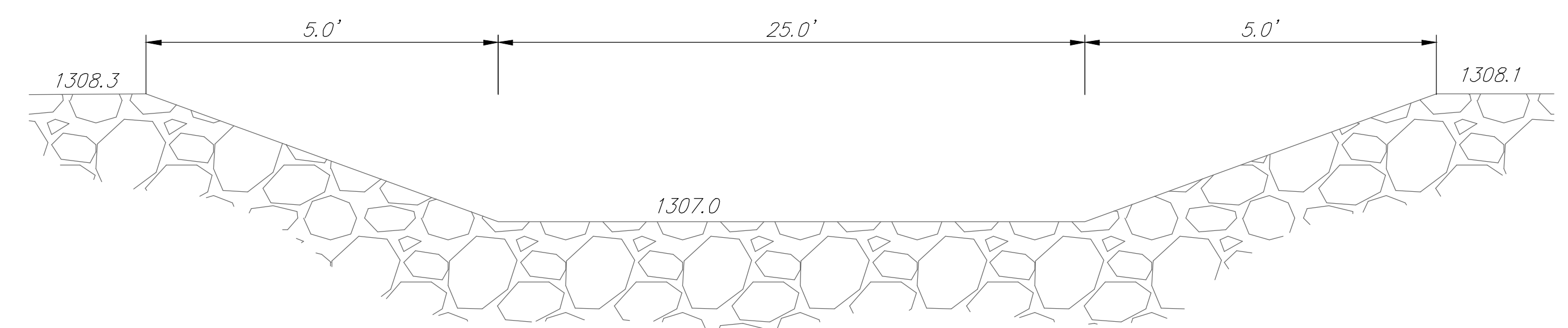


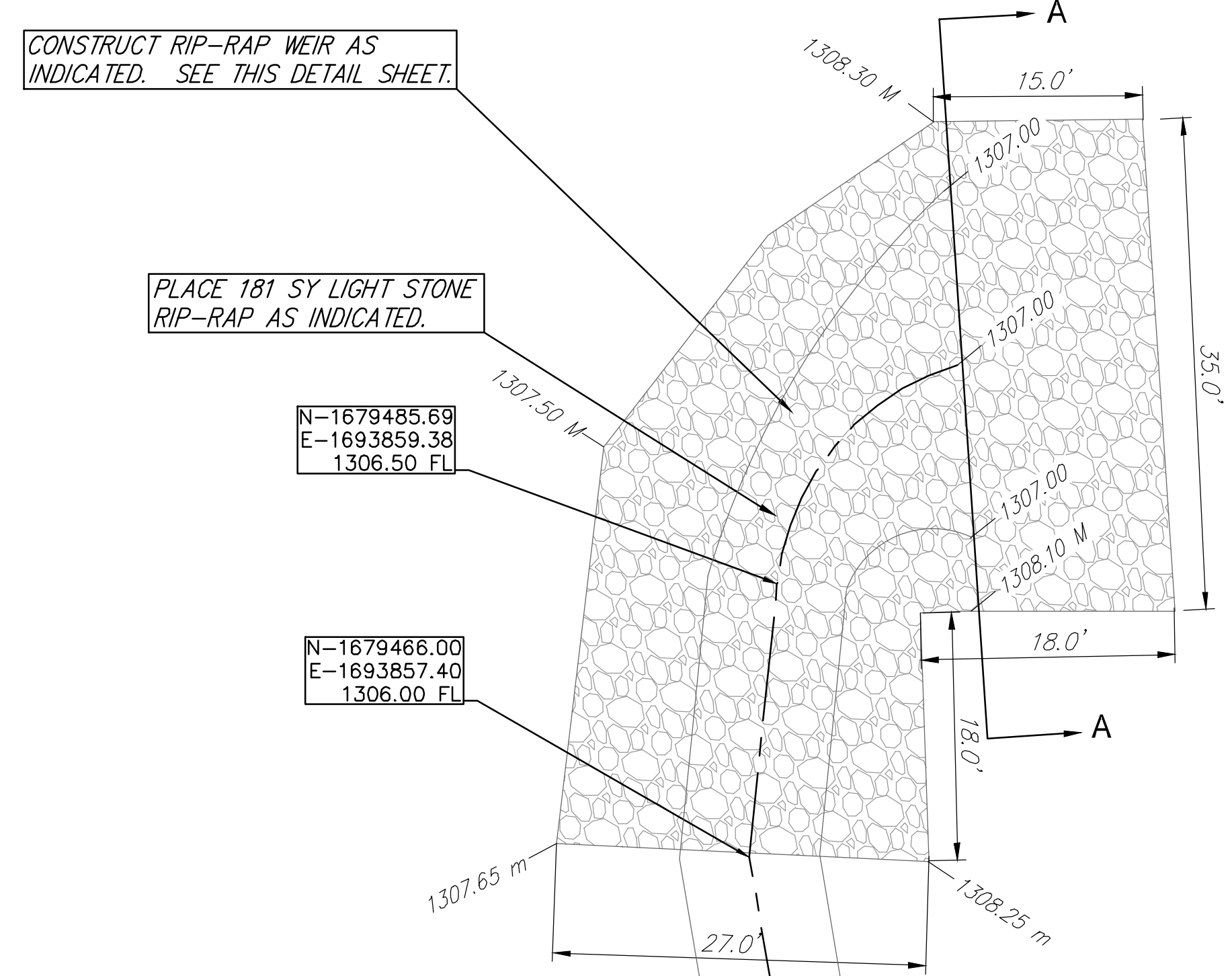
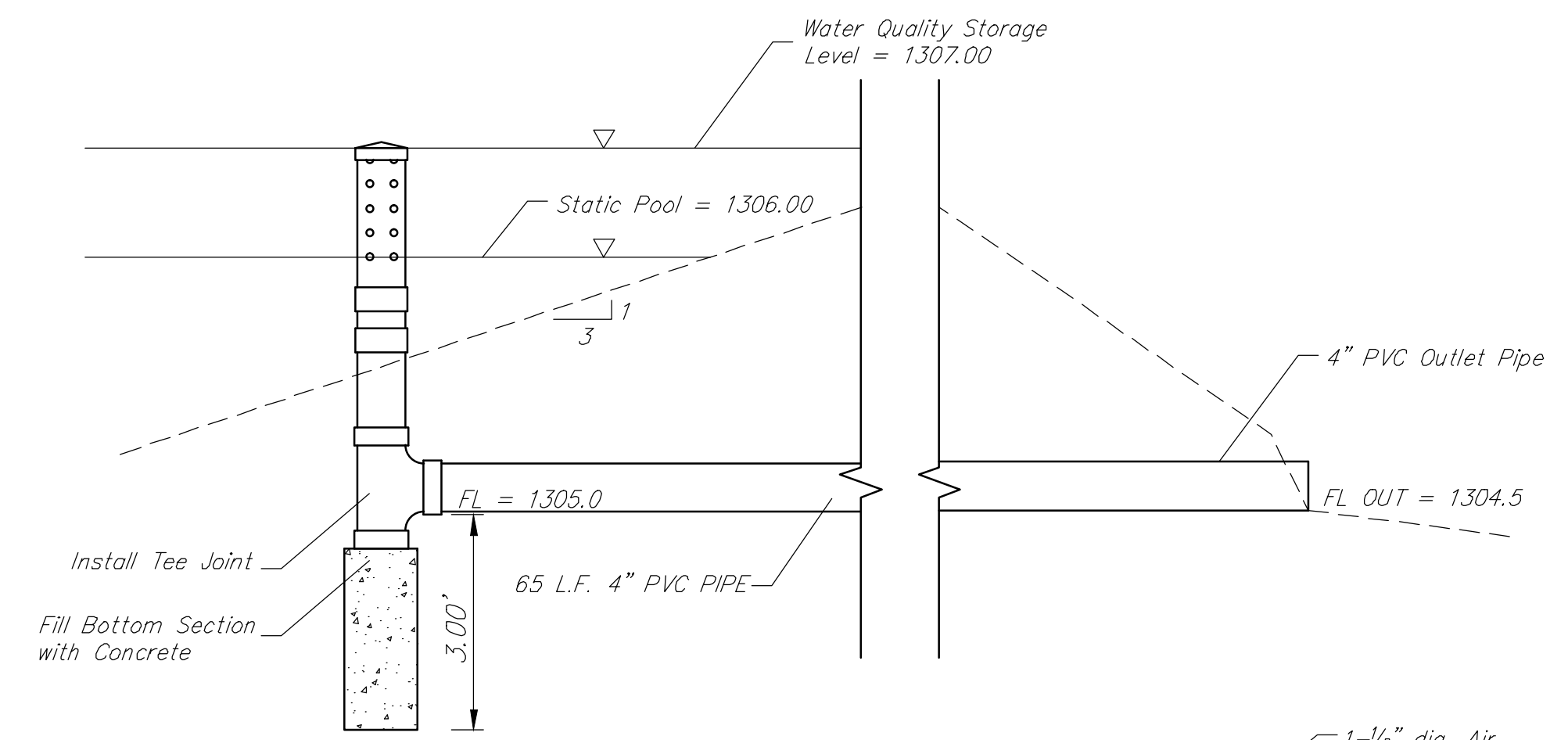
2  
18

Bellechase 2nd Addition

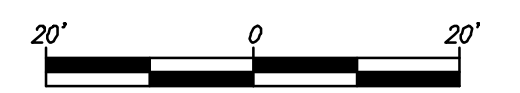
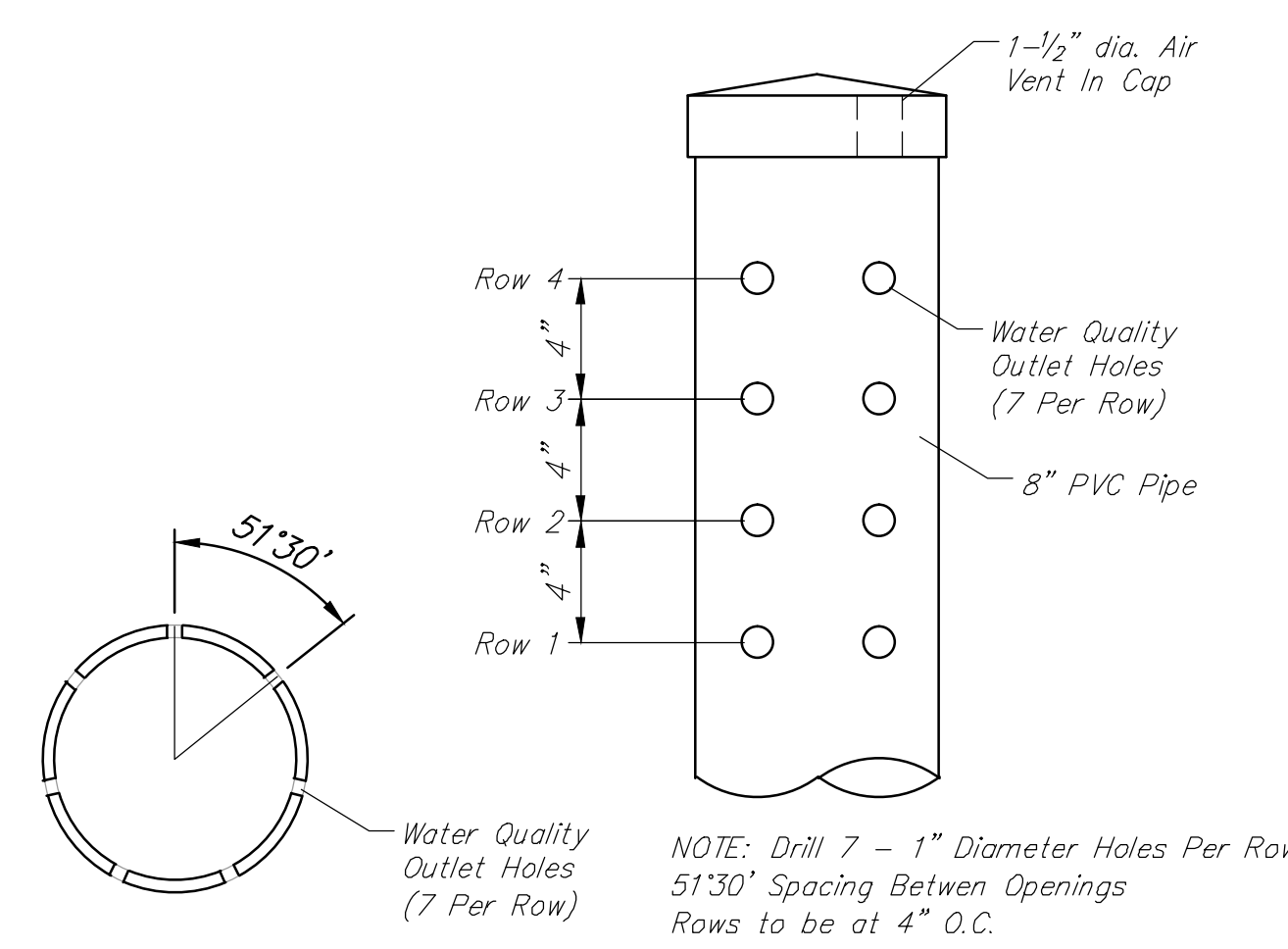
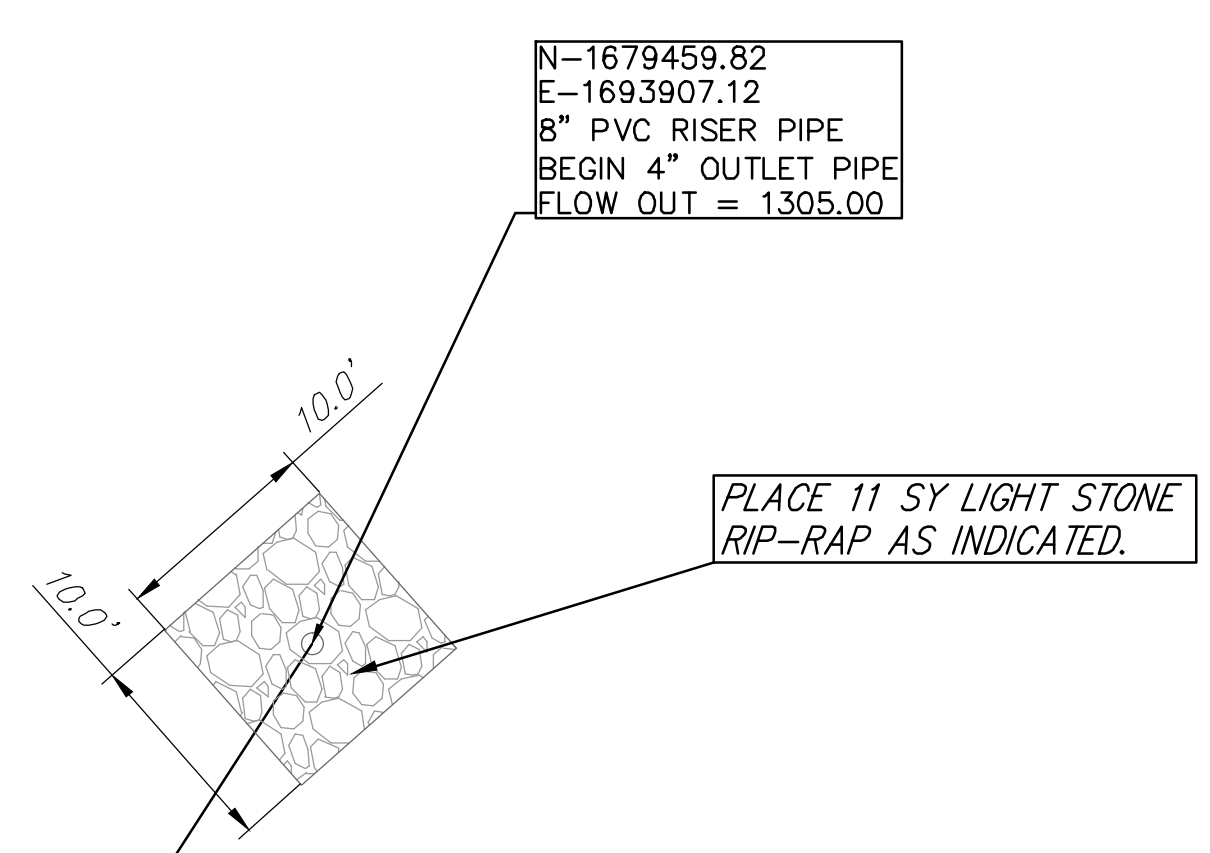
17



South Pond Rip-Rap Weir Wall Detail  
Section A-A



EXISTING POND



Bellechase 3rd Addition South Pond Weir Detail WICHITA, KANSAS			
SEAL		<b>RUGGLES &amp; BOHM</b>	DATE Sept. 4, 2013
		ENGINEERING   SURVEYING   LANDSCAPE ARCHITECTURE   GOVERNMENT	DESIGN EJG
		824 NORTH MAIN WICHITA, KANSAS 67208 P (316) 264-8008 F (316) 264-4621 WWW.RBKANSAS.COM	DRAWN EJG
PROJECT NUMBER 472-85078	RB JOB NO. 4057E	DWG. SCALE 10	SHEET 27
DRAWING FILE Engg Base {South Pond Weir Detail}			OF 45