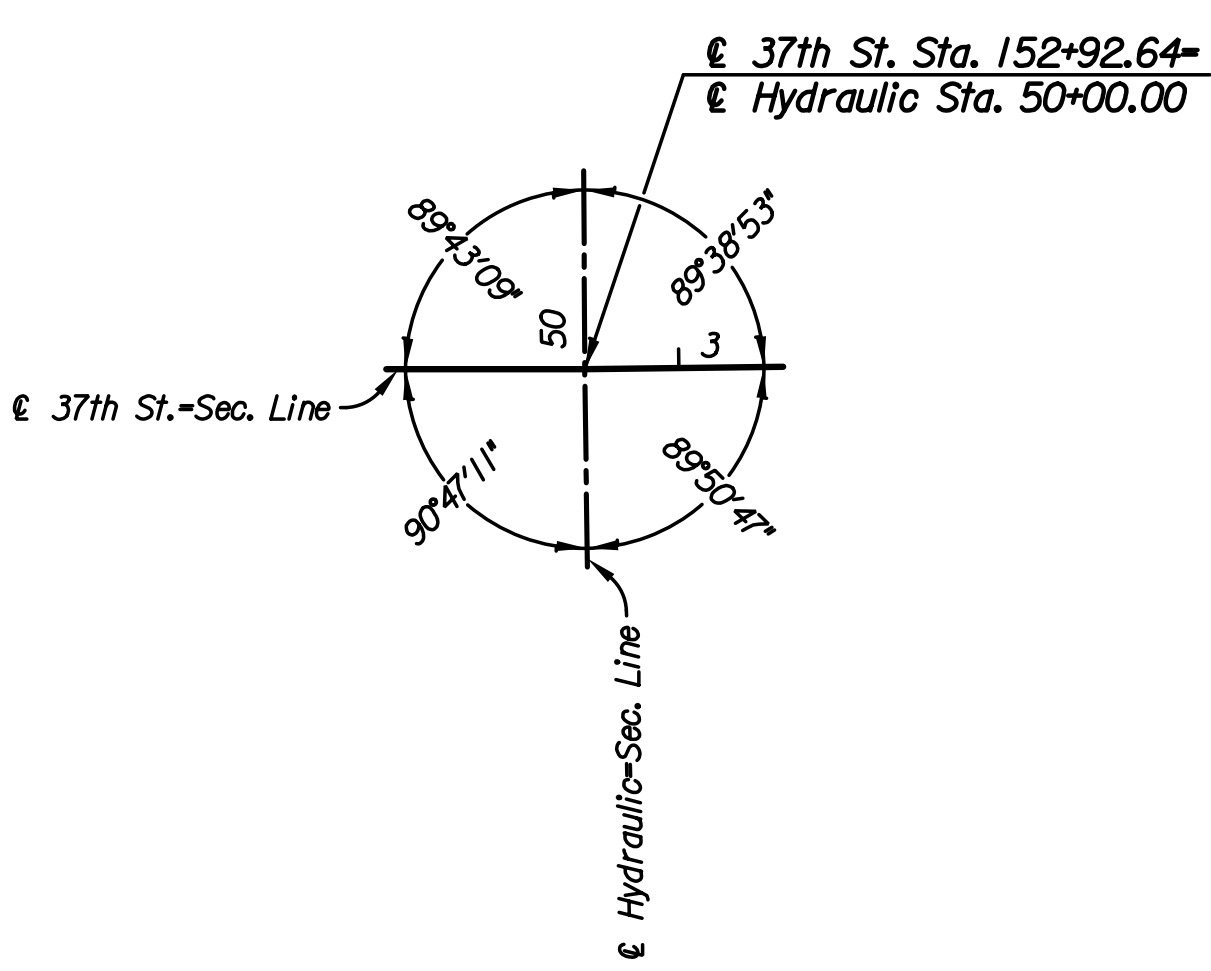
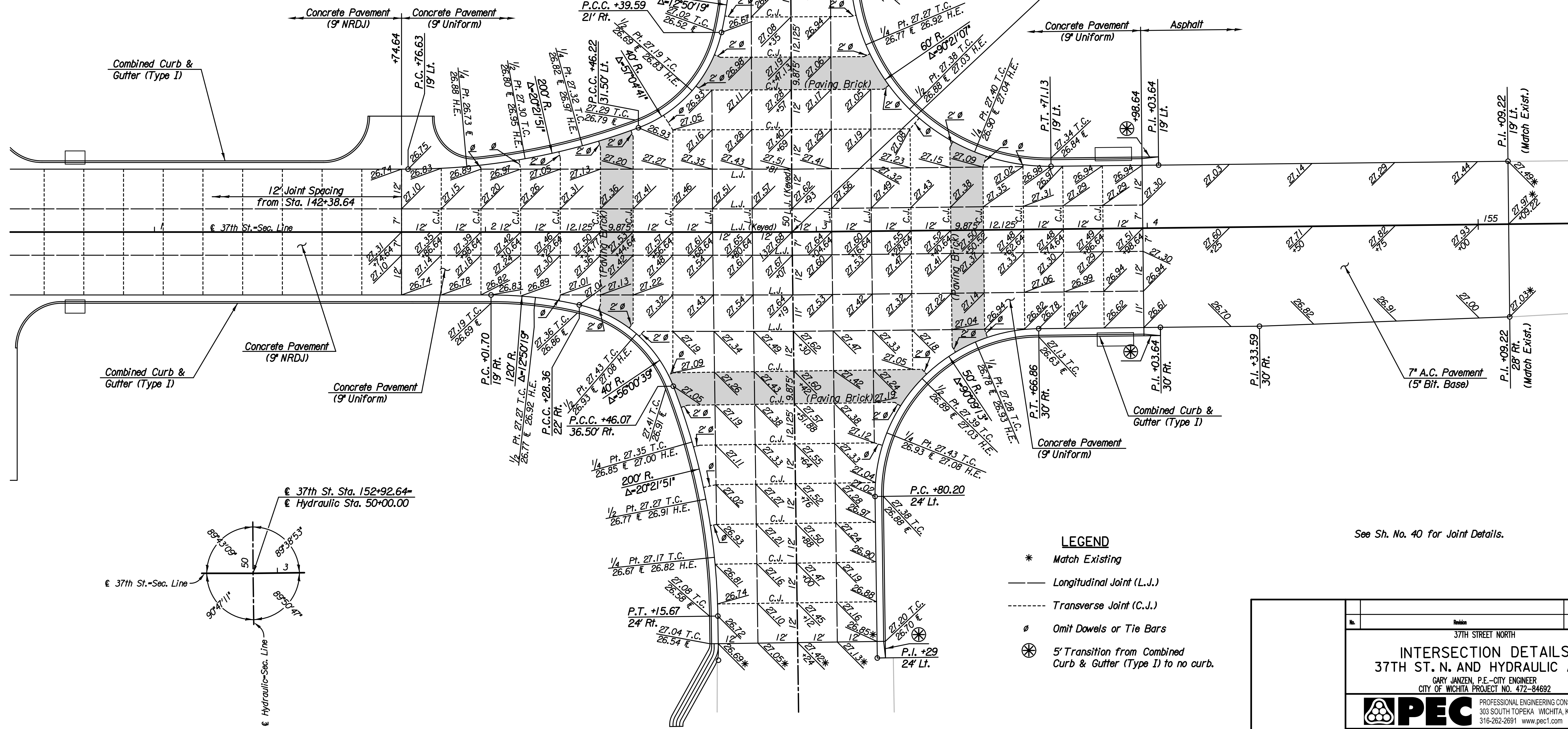
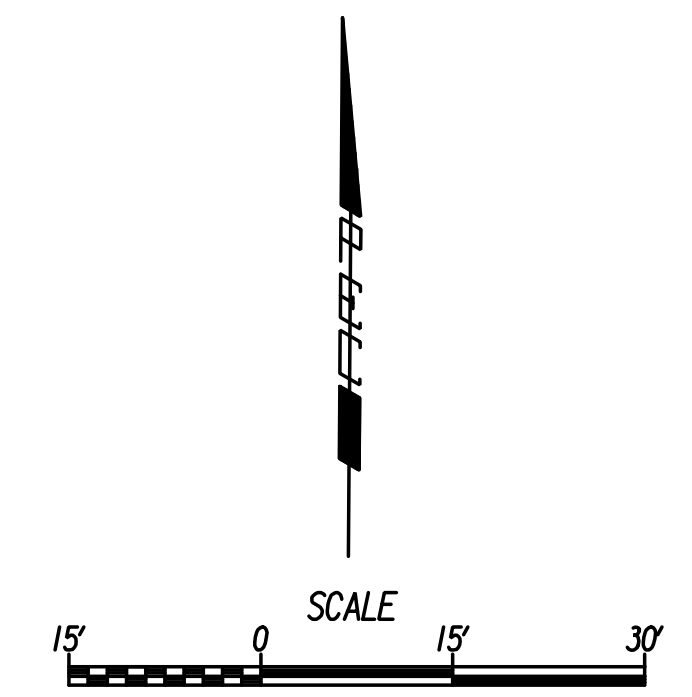


PAVING BRICK (CROSSWALK) DETAILS

- * 8" Concrete Pavement to be paid as "Concrete Pavement (9" Uniform)(AE)."
- ≠ Additional Pavement Thickness shall be Subsidiary to "Concrete Pavement (9" Uniform)(AE)."



- LEGEND**
- * Match Existing
 - Longitudinal Joint (L.J.)
 - - - Transverse Joint (C.J.)
 - Omit Dowels or Tie Bars
 - ⊗ 5' Transition from Combined Curb & Gutter (Type I) to no curb.

See Sh. No. 40 for Joint Details.

Plotted By: svb Date: 8/16/2013 8:46:06 AM
 FILE: I:\2008\08207\intersections\08207-intersections 04-Hydraulic.cgd

No.	Revision	By	Date
37TH STREET NORTH			
INTERSECTION DETAILS			
37TH ST. N. AND HYDRAULIC AVE.			
GARY JANZEN, P.E.—CITY ENGINEER CITY OF WICHITA PROJECT NO. 472-84692			
PEC PROFESSIONAL ENGINEERING CONSULTANTS, P.A. 303 SOUTH TOPEKA WICHITA, KS 67202 316-262-2691 www.pec1.com			
Designed by	JPS	Job No.	08207
Drawn by	SVB	Date	August, 2013
			Sh. 39 of 193