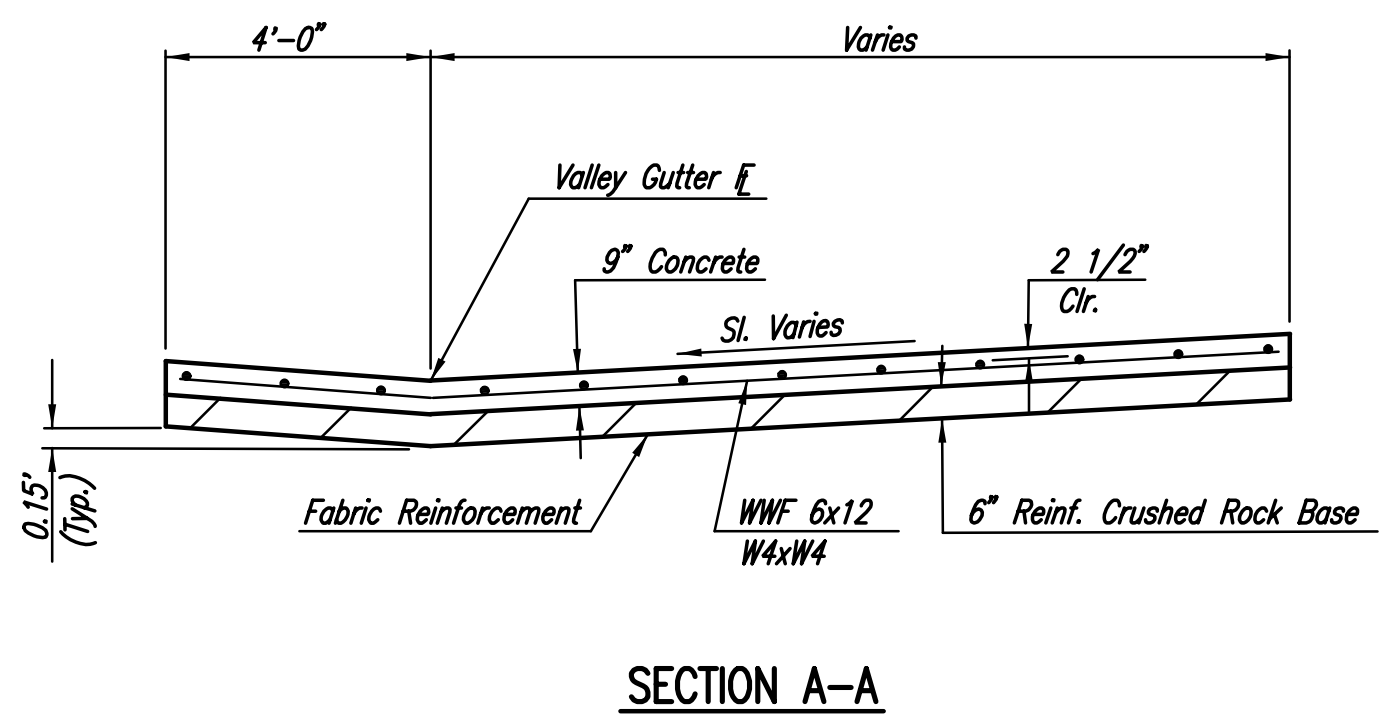
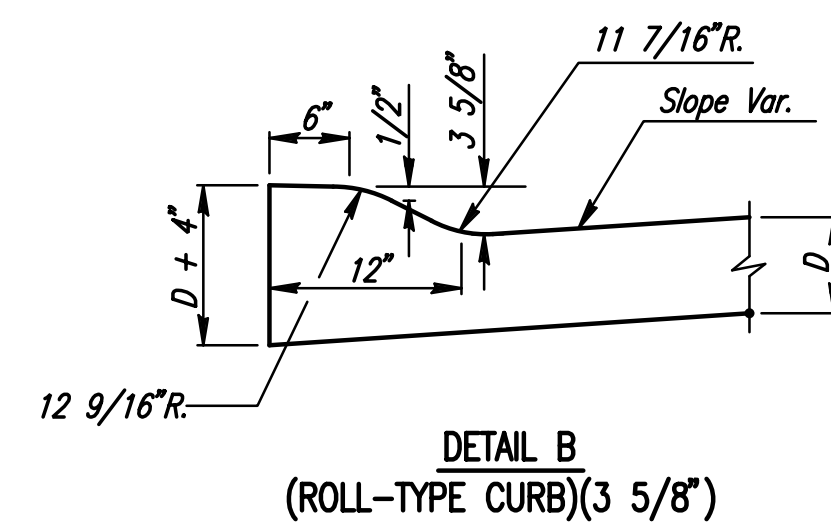
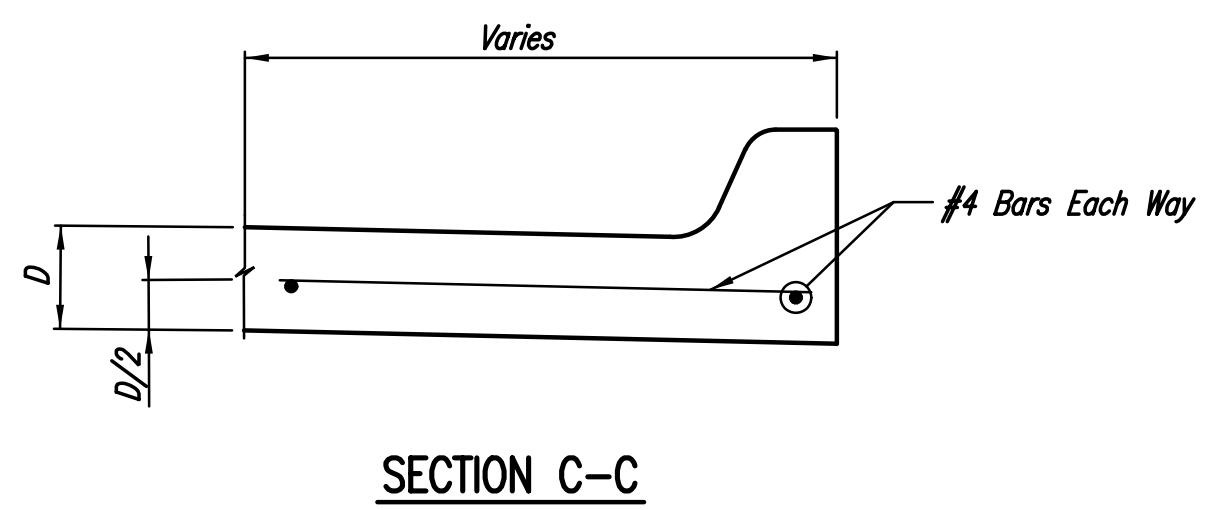
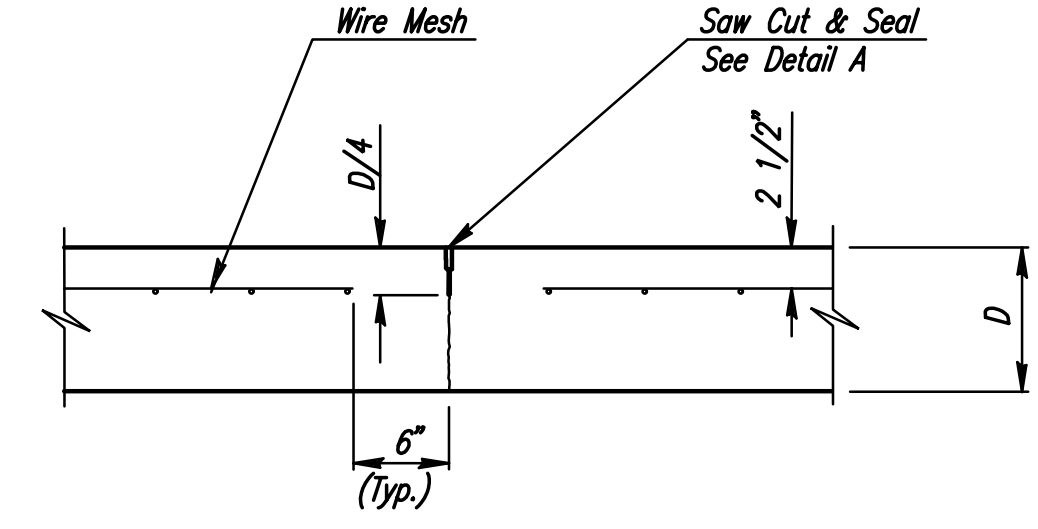


- ① To be accomplished in 2 cuts for Longitudinal Joints and Contraction Joints. Initial cut to be 1/8" wide.
- ② Eliminate bottom of cut when metal keyway is used as part of Longitudinal or Transverse Construction Joint and at Doweled Construction Joint Locations.
- ③ 1 1/2" Minimum

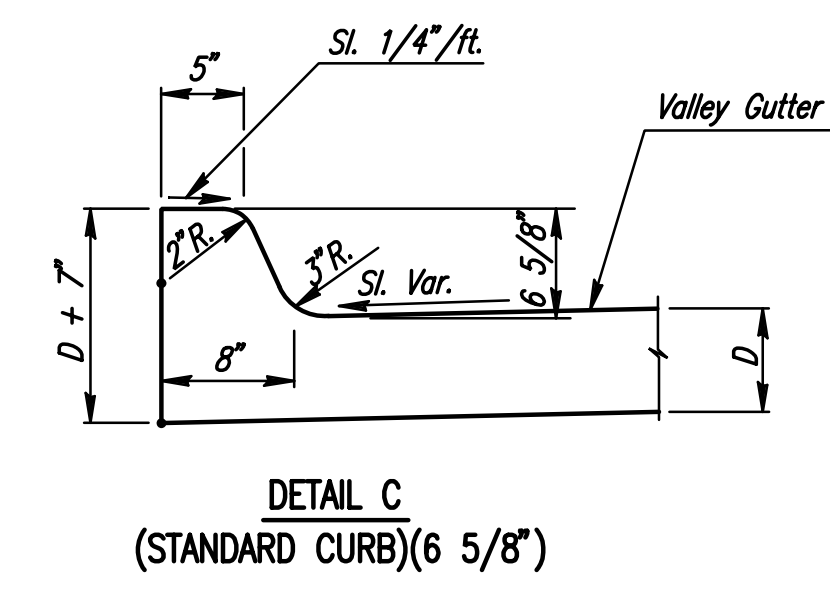


NOTE: OMIT REINFORCING MESH AT ALL JOINTS

NOTE: ALL CONCRETE VALLEY GUTTER REINFORCEMENT SHALL BE ADEQUATELY SUPPORTED BY BAR CHAIRS IN THE REQUIRED POSITION UNLESS APPROVED OTHERWISE BY THE ENGINEER.



MONOLITHIC EDGE CURB



No.	Revision	By	Date
37TH STREET NORTH			
<b>VALLEY GUTTER DETAILS</b>			
GARY JANZEN, P.E.-CITY ENGINEER CITY OF WICHITA PROJECT NO. 472-84692			
<b>PEC</b> PROFESSIONAL ENGINEERING CONSULTANTS, P.A. 303 SOUTH TOPEKA WICHITA, KS 67202 316-262-2691 www.pec1.com			
Designed by	JPS	Job No.	08207
Drawn by	SVB	Date	August, 2013
			Sht. 44 of 193

Plotted By: svb Date: 8/3/2013 12:00:28 PM  
 FILE: I:\2008\08207\Standard\ds\08207-Valgut.dwg