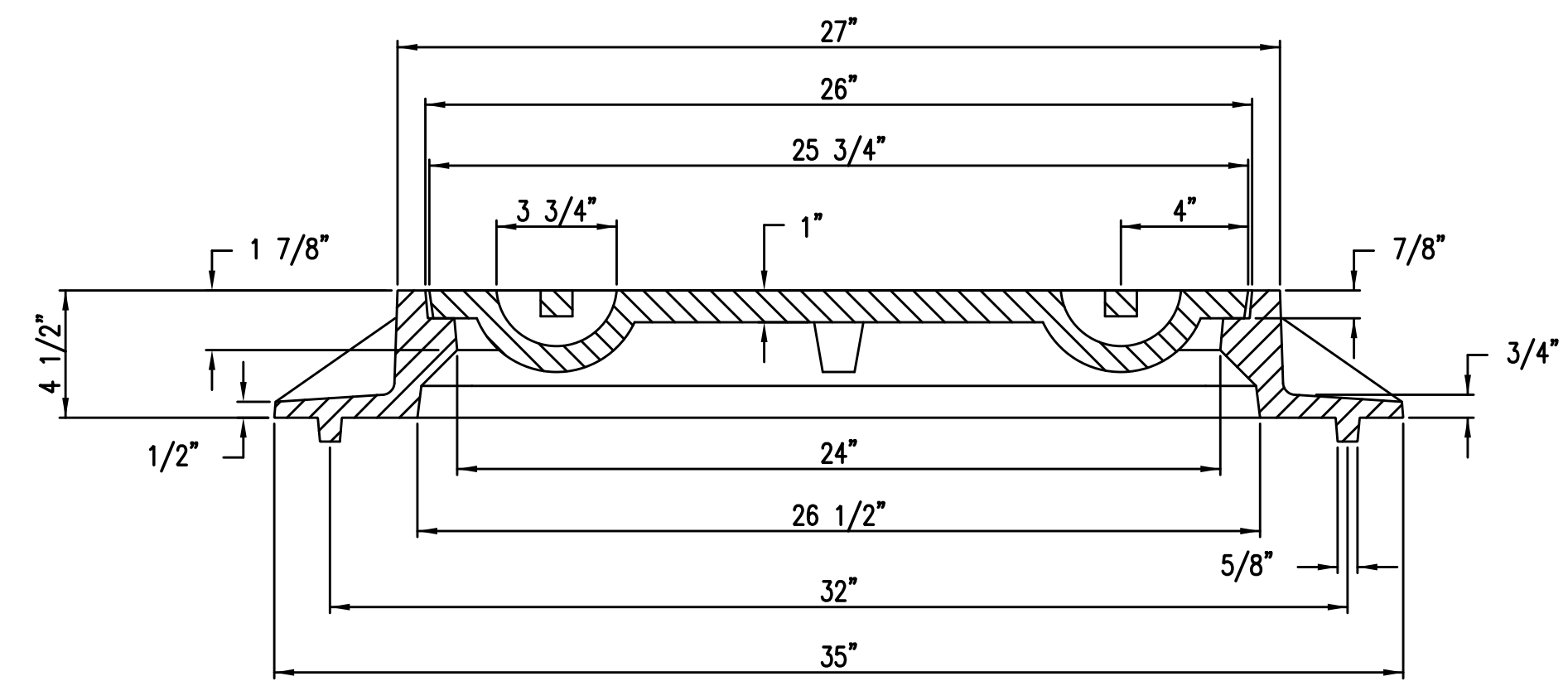
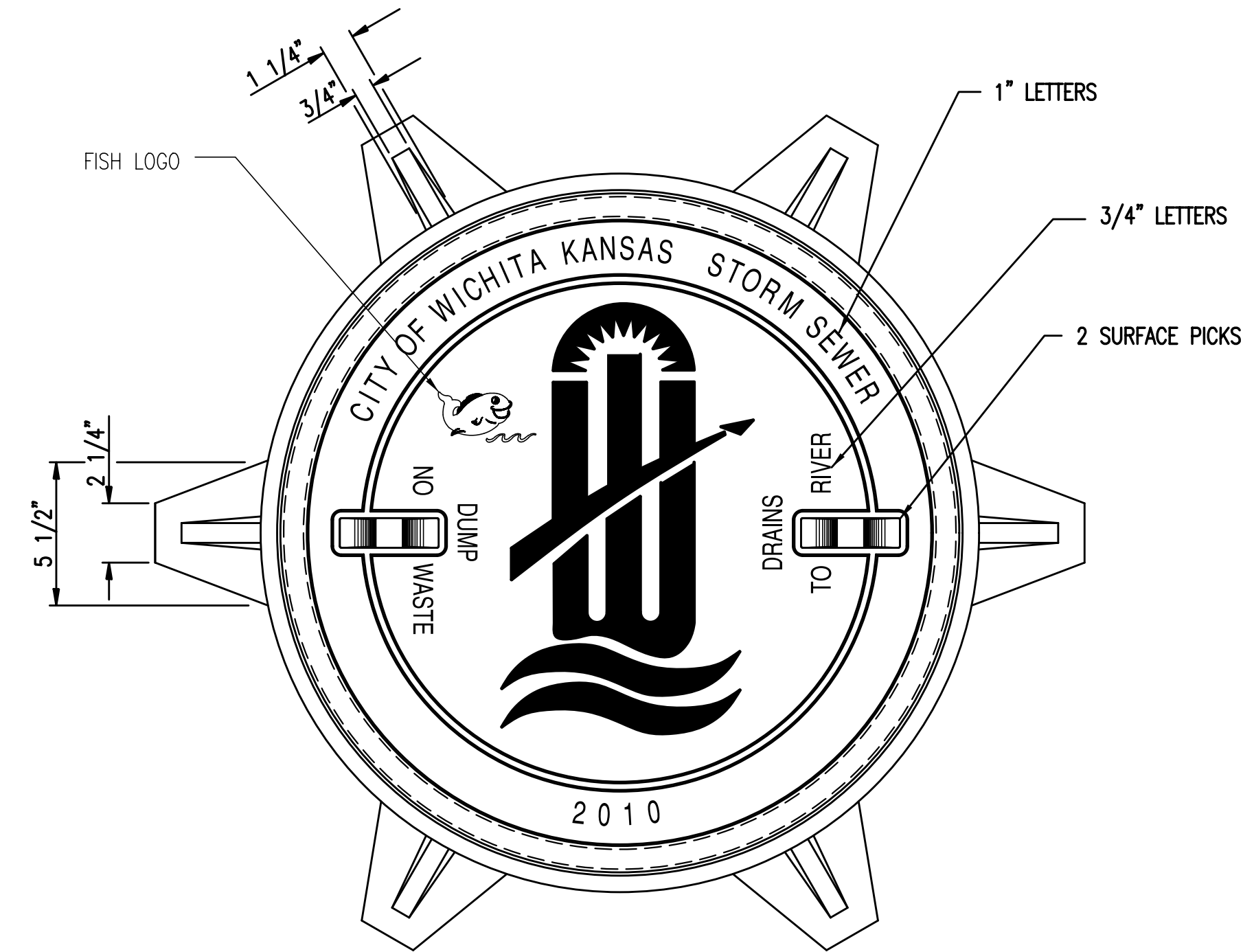


**MANHOLE FRAME**  
**DEETER #1261 OR EJIW #1936-Z1**

- NOTE:
1. FURNISHED WITH MACHINED HORIZONTAL BEARING SURFACE.
  2. COVER TO BE DEETER #1261 OR EJIW #1936A.



**INLET FRAME**  
**DEETER #2014 OR EJIW #1936-Z4**

- NOTE:
1. FURNISHED WITH MACHINED HORIZONTAL BEARING SURFACES.
  2. NOT TO BE USED UNDER PAVEMENT.
  3. COVER TO BE DEETER #1261 OR EJIW #1936A.

Created: 10/22/2010, 5:51:12 PM by: RCF  
 Plot: Sewer\_110\_1837  
 P:\2008\08207\Standards\08207-SW-303-MH-Inlet Frame & Cover



<b>MANHOLE/INLET FRAME AND COVER (STORM SEWER)</b>		
CITY ENGINEER <b>GARY JANZEN, P.E.</b>		
PROJECT NUMBER 472-84692	OCA NUMBER 706992	DATE 11/2010
CITY ENGINEER'S OFFICE CITY HALL - SEVENTH FLOOR 455 NORTH MAIN STREET WICHITA, KANSAS 67202-1620 (316) 268-4501		DESIGN DRAWN SHEET <b>53 of 193</b>